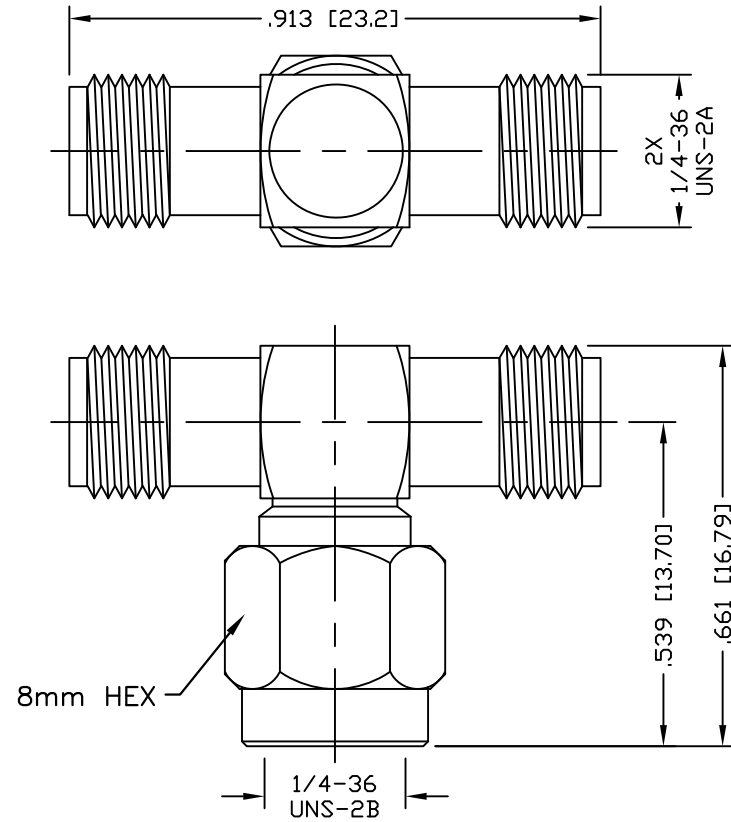


PART NO.		RSA-3400-1		
REV	DESCRIPTION	DWN	DATE	APPROVED
-	ENGINEERING RELEASE	CZ	11/02/21	JDMc



SPECIFICATIONS:

IMPEDANCE: 50 Ohms
 WORKING VOLTAGE: 335 V rms Max. @ Sea Level
 INSULATION RESISTANCE: 5k MOhms min.
 TEMPERATURE RANGE: -55°C TO 85°C

10	END CAP	1	BRASS	GOLD
9	GASKET	1	RUBBER	RED
8	RETAINING RING	1	BeCu	GOLD
7	INSULATOR	2	PTFE	NATURAL
6	INSULATOR	1	PTFE	NATURAL
5	PIN	1	BRASS	GOLD
4	CONTACT	1	BeCu	GOLD
3	BODY (JACK)	1	BRASS	GOLD
2	BODY (PLUG)	1	BRASS	GOLD
1	HOUSING	1	BRASS	GOLD
#	DESCRIPTION	QTY	MATERIAL	FINISH

CUSTOMER OUTLINE DRAWING	
ALL DIMENSIONS ARE REFERENCE ONLY	
UNLESS OTHERWISE SPECIFIED: DIMENSIONS ARE IN INCHES AND [MILLIMETERS]	
DRAWN	C. ZUÑIGA
CHECKED	11/02/21
ORJ DRAWN	C. ZUÑIGA
	11/02/21

RoHS COMPLIANT

PROPRIETARY AND CONFIDENTIAL

THIS DRAWING CONTAINS INFORMATION PROPRIETARY TO RF INDUSTRIES, ANY UNAUTHORIZED USE OF THIS DRAWING IS EXPRESSLY PROHIBITED WITHOUT WRITTEN PERMISSION FROM RF INDUSTRIES. ANY VIOLATION IS PUNISHABLE UNDER U.S. COPYRIGHT LAWS.

RFconnectors
 DIVISION OF RF INDUSTRIES, LTD. (858) 549-6345 FAX

RFINDUSTRIES.COM
 7610 MIRAMAR RD.
 SAN DIEGO, CA 92126
 (858) 549-6340

SMA PLUG TO DOUBLE JACK T ADAPTER

DWG # **RSA-3400-1**

CABLE GROUP	CONTROL #	SCALE	FORMAT	SHEET	REVISION
N/A	000000	NTS	A	1 OF 1	-