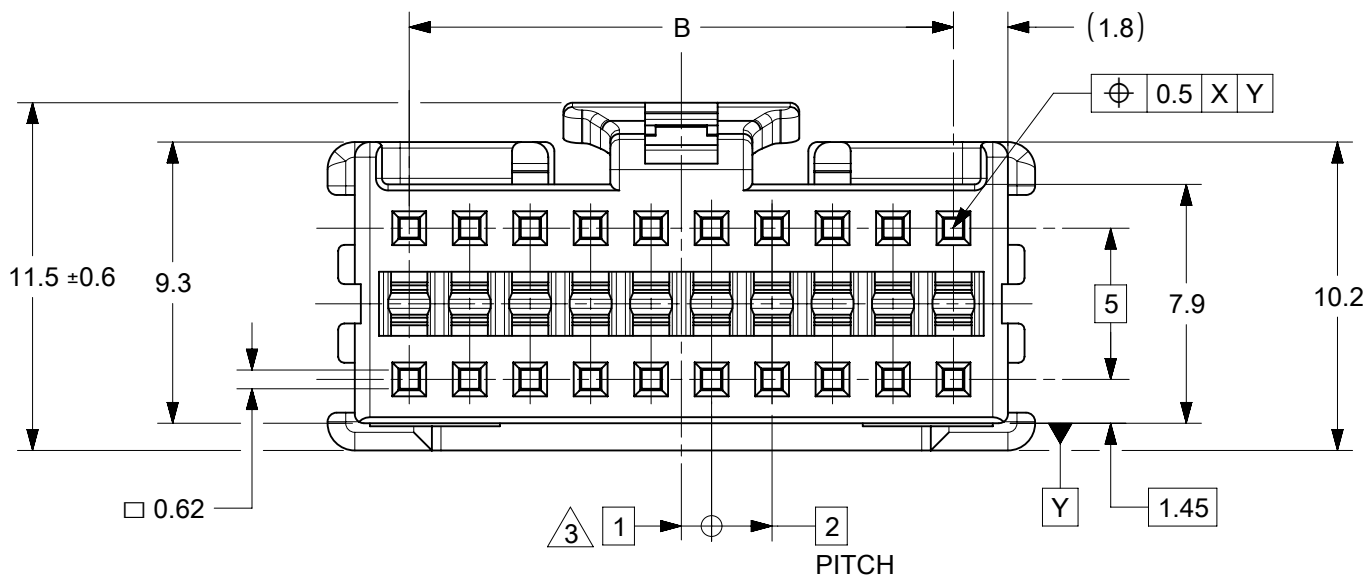
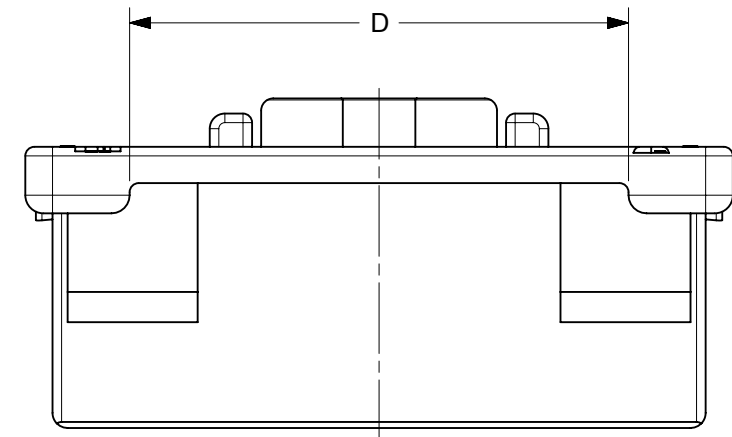
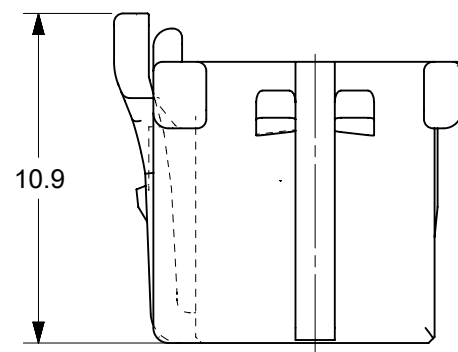
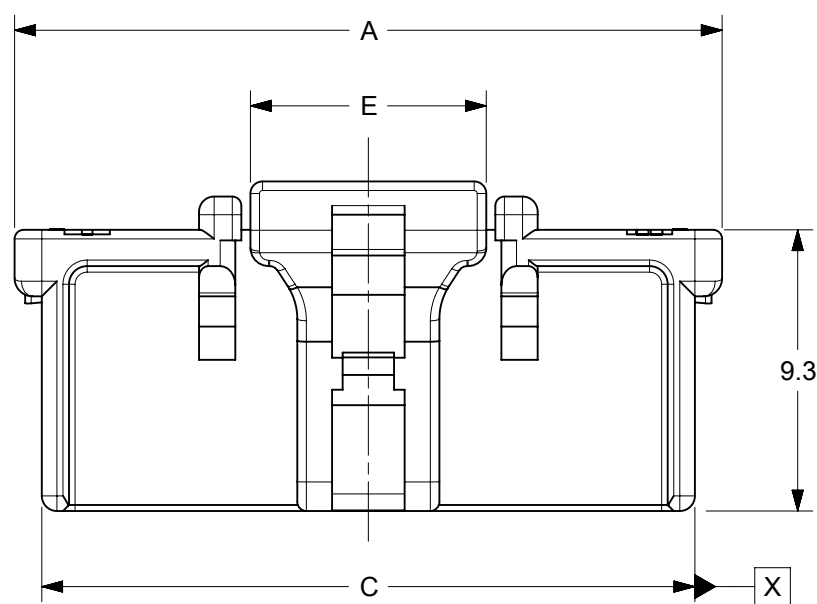


- NOTES :
- ① APPLICABLE TERMINAL : SERIES 56134, 59370
  - ② MATE WITH : SERIES 55917, 55959
  - ③ APPLY FOR (CIRCUIT/2)=EVEN
  - ④ MATERIAL NO. **51353-\*\*0\***

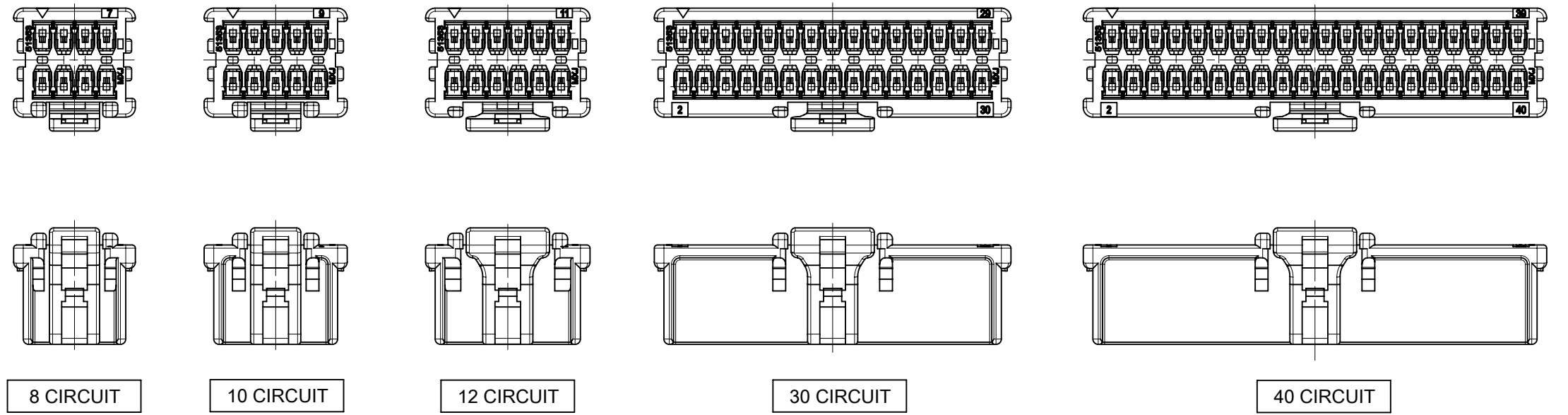
CIRCUIT SIZE      COLOR

NATURAL(WHITE)	0
BLACK	1
RED	2
YELLOW	3
BLUE	4
GREEN	6
BROWN	7
ORANGE	8

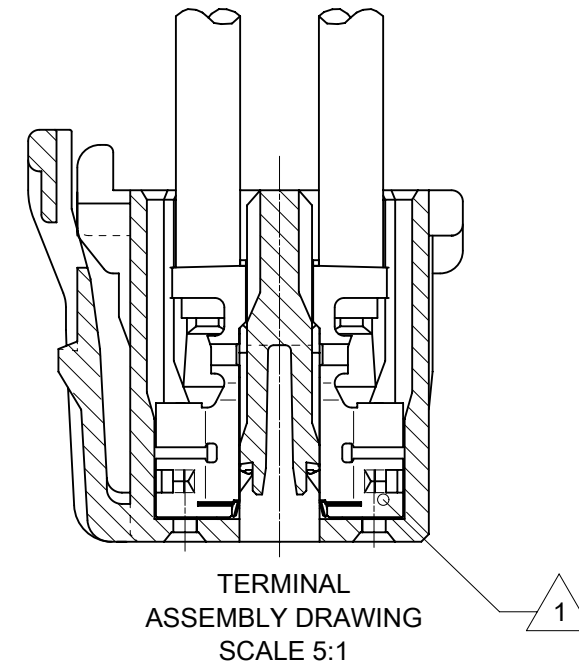
- ⑤ LOCK SIDE CKT.NO. DIDN'T INDICATED 8~14CKT, INDICATE 16~40CKT.
- ⑥ MATERIAL : 66 NYLON, UL94V-0



THIS DRAWING CONTAINS INFORMATION THAT IS PROPRIETARY TO MOLEX ELECTRONIC TECHNOLOGIES, LLC AND SHOULD NOT BE USED WITHOUT WRITTEN PERMISSION																	
DIMENSION UNITS	SCALE	CURRENT REV DESC: OBSOLETE PART NUMBERS AS PER PCN#512131 AND REPLACED 513530800 001 PDM WITH 513530800 002 PDM.															
mm	NTS	<p style="text-align: center;"><b>molex</b></p> <p style="text-align: center;">MICROCLASP 2.0 W-B CONN. DUAL ROW RCPT HSG</p> <p style="text-align: center;">PRODUCT CUSTOMER DRAWING</p>															
GENERAL TOLERANCES (UNLESS SPECIFIED)																	
ANGULAR TOL	± 3.0°																
4 PLACES	±																
3 PLACES	±																
2 PLACES	± 0.2	EC NO: 727779	2022/11/07		<table border="1"> <tr><td>DOCUMENT NUMBER</td><td>DOC TYPE</td><td>DOC PART</td><td>REVISION</td></tr> <tr><td>SD-51353-002</td><td>PSD</td><td>001</td><td>D1</td></tr> </table>					DOCUMENT NUMBER	DOC TYPE	DOC PART	REVISION	SD-51353-002	PSD	001	D1
DOCUMENT NUMBER	DOC TYPE	DOC PART	REVISION														
SD-51353-002	PSD	001	D1														
1 PLACE	± 0.2	DRWN: ANIKES1	2022/11/29														
0 PLACES	± 0.2	CHKD: GGA	2022/11/29														
DRAFT WHERE APPLICABLE MUST REMAIN WITHIN DIMENSIONS		APPR: GGA	2022/11/29														
THIRD ANGLE PROJECTION		INITIAL REVISION:	2001/12/17		<table border="1"> <tr><td>MATERIAL NUMBER</td><td>CUSTOMER</td><td colspan="2">SHEET NUMBER</td></tr> <tr><td>SEE TABLE</td><td>GENERAL MARKET</td><td colspan="2">1 OF 2</td></tr> </table>					MATERIAL NUMBER	CUSTOMER	SHEET NUMBER		SEE TABLE	GENERAL MARKET	1 OF 2	
MATERIAL NUMBER	CUSTOMER	SHEET NUMBER															
SEE TABLE	GENERAL MARKET	1 OF 2															
DRAWING		DRWN: N.ITO	2002/10/22														
SERIES		APPR: T.YAMAGUCHI	2002/10/22														
B-SIZE		51353															



VIEW OF 8,10,12,30,40 CIRCUIT  
(2:1)



TERMINAL  
ASSEMBLY DRAWING  
SCALE 5:1

40	51353-400*	43.4	38	41.6	36.5	7.8
38	51353-380*	41.4	36	39.6	34.5	7.8
36	51353-360*	39.4	34	37.6	32.5	7.8
34	51353-340*	37.4	32	35.6	30.5	7.8
32	51353-320*	35.4	30	33.6	28.5	7.8
30	51353-300*	33.4	28	31.6	26.5	7.8
28	51353-280*	31.4	26	29.6	24.5	7.8
26	51353-260*	29.4	24	27.6	22.5	7.8
24	51353-240*	27.4	22	25.6	20.5	7.8
22	51353-220*	25.4	20	23.6	18.5	7.8
20	51353-200*	23.4	18	21.6	16.5	7.8
18	51353-180*	21.4	16	19.6	14.5	7.8
16	51353-160*	19.4	14	17.6	12.5	7.8
14	51353-140*	17.4	12	15.6	10.5	7.8
12	51353-120*	15.4	10	13.6	8.5	7.8
10	51353-100*	13.4	8	11.6	6.5	4.7
8	51353-080*	11.4	6	9.6	4.5	4.7
CKT.	△ MATERIAL NO.	A	B	C	D	E

THIS DRAWING CONTAINS INFORMATION THAT IS PROPRIETARY TO MOLEX ELECTRONIC TECHNOLOGIES, LLC AND SHOULD NOT BE USED WITHOUT WRITTEN PERMISSION									
DIMENSION UNITS	SCALE	CURRENT REV DESC: OBSOLETE PART NUMBERS AS PER PCN#512131 AND REPLACED 513530800 001 PDM WITH 513530800 002 PDM.							
mm	NTS	<p><b>molex</b></p> <p>MICROCLASP 2.0 W-B CONN. DUAL ROW RCPT HSG</p> <p>PRODUCT CUSTOMER DRAWING</p>							
GENERAL TOLERANCES (UNLESS SPECIFIED)									
ANGULAR TOL	± 3.0°	EC NO: 727779	2022/11/07	DOCUMENT NUMBER					
4 PLACES	±	DRWN: ANIKES1	2022/11/29	SD-51353-002					
3 PLACES	±	CHKD: GGA	2022/11/29	DOC TYPE	DOC PART	REVISION			
2 PLACES	± 0.2	APPR: GGA	2022/11/29	PSD	001	D1			
1 PLACE	± 0.2	INITIAL REVISION:		MATERIAL NUMBER					
0 PLACES	± 0.2	DRWN: N.ITO	2001/12/17	CUSTOMER					
DRAFT WHERE APPLICABLE MUST REMAIN WITHIN DIMENSIONS		APPR: T.YAMAGUCHI	2002/10/22	SEE TABLE		GENERAL MARKET		SHEET NUMBER	
THIRD ANGLE PROJECTION		DRAWING	SERIES	B-SIZE		51353		2 OF 2	