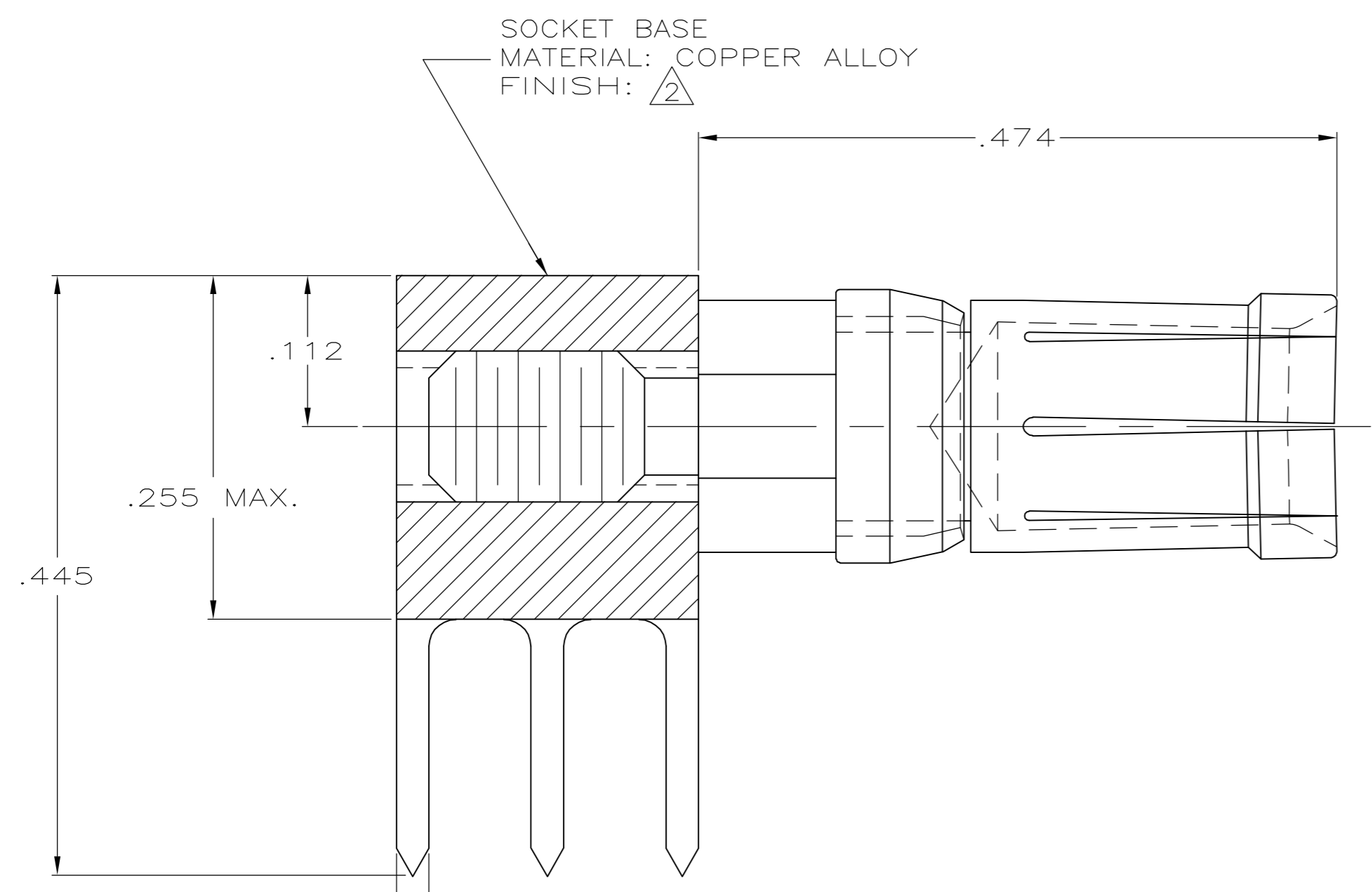


THIS DRAWING IS UNPUBLISHED. RELEASED FOR PUBLICATION
 © COPYRIGHT BY TYCO ELECTRONICS CORPORATION. ALL RIGHTS RESERVED.

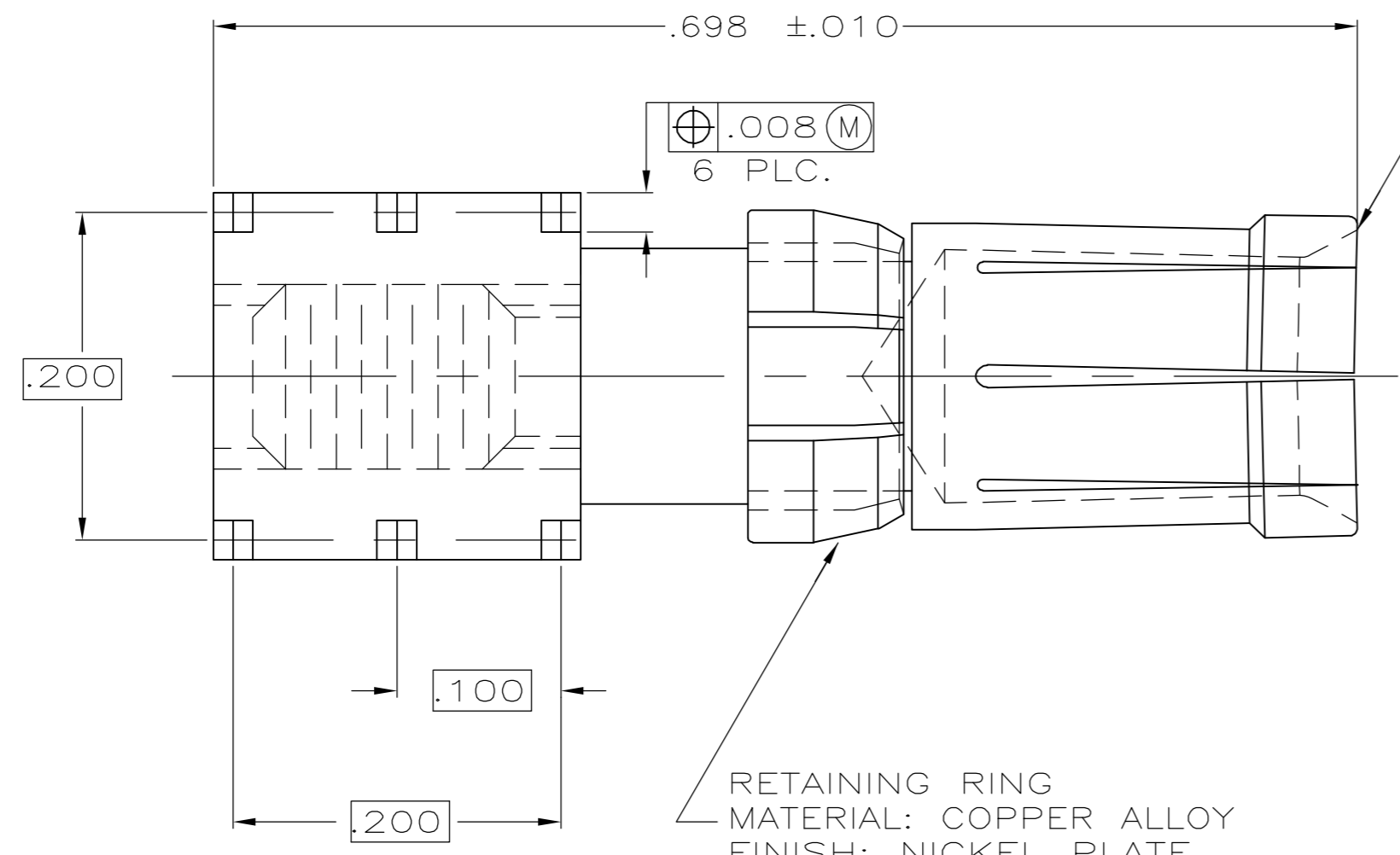
LOC	DIST	REVISIONS			
P	LTR	DESCRIPTION	DATE	DWN	APVD
AD	25	0	RELEASED PER EC 0512-0634-04	19DEC05	JDP AMS



- ① SOCKET CONTACT FINISH : GOLD PLATE OVER NICKEL UNDERPLATE.
- ② SOCKET BASE FINISH : TIN PLATE OVER NICKEL UNDERPLATE.

.024 SQ.
 ⊕.008 (M)
 6 PLS.

SOCKET CONTACT
 MATERIAL: COPPER ALLOY
 FINISH: ①



RETAINING RING
 MATERIAL: COPPER ALLOY
 FINISH: NICKEL PLATE

5532823-2
 PART NUMBER

THIS DRAWING IS A CONTROLLED DOCUMENT.		DWN	J. POLIGNONE	19DEC05	 Tyco Electronics Corporation Harrisburg, PA 17105-3608
DIMENSIONS: INCHES		CHK	A. SHARPE	19DEC05	
TOLERANCES UNLESS OTHERWISE SPECIFIED:		APVD	A. SHARPE	19DEC05	
0 PLC ± - 1 PLC ± - 2 PLC ± - 3 PLC ± .005 4 PLC ± - ANGLES ± - FINISH		NAME	A. SHARPE		
		PRODUCT SPEC	CONTACT, RECEPTACLE, RIGHT ANGLE, HDI, POWER, SOLDER		
MATERIAL		APPLICATION SPEC	-		
		WEIGHT	-		
		CUSTOMER DRAWING	SCALE	10:1	SHEET 1 of 1
			SIZE	A2	RESTRICTED TO
			CAGE CODE	00779	
			DRAWING NO	C=5532823	
			REV	0	

5532823