

# USB UART 2™

Manual

*All Mikroelektronika's development systems feature a large number of peripheral modules expanding microcontroller's range of application and making the process of program testing easier. In addition to these modules, it is also possible to use numerous additional modules linked to the development system through the I/O port connectors. Some of these additional modules can operate as stand-alone devices without being connected to the microcontroller.*

Additional board

 **MikroElektronika**

SOFTWARE AND HARDWARE SOLUTIONS FOR EMBEDDED WORLD ...making it simple

# USB UART 2

The USB UART 2 additional board is used to connect a PC and the UART module built into the microcontroller.

### Key features:

- Data transfer via UART;
- 5V DC power supply voltage;
- Low power consumption; etc.



Figure 1: USB UART 2 additional board

### How to connect the board?

The USB UART 2 additional board can be easily connected to PC via a USB MINIB connector CN1. Connection with the microcontroller is established via 1x6 connector CN2 and 1x9 connector CN3. 1x6 connectors enable access to the microcontroller pins that are used for serial UART communication. A 1x9 connector CN3 is connected to the pins of the MCP2200 chip supplied on the additional board.

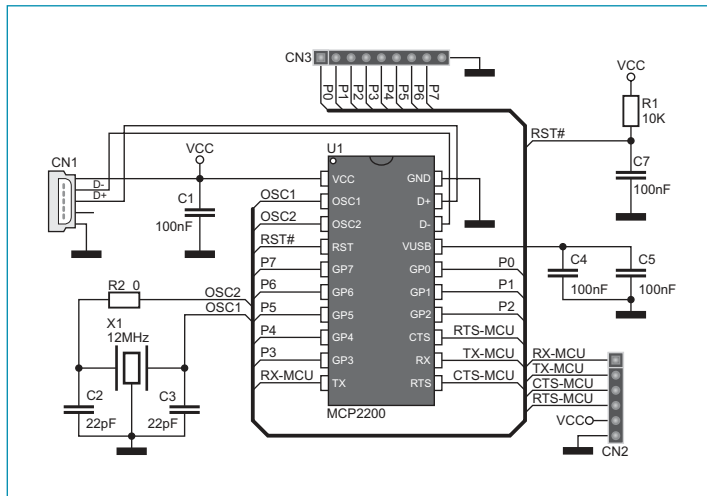


Figure 3: The USB UART board connection schematic

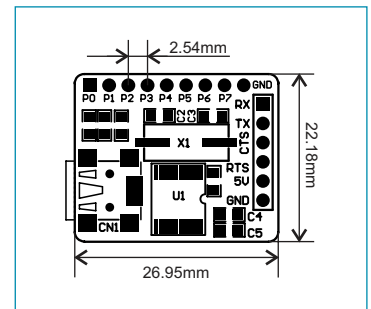


Figure 4: Dimensions of the board





**MikroElektronika**  
SOFTWARE AND HARDWARE SOLUTIONS FOR EMBEDDED WORLD ...making it simple

If you want to learn more about our products, please visit our website at [www.mikroe.com](http://www.mikroe.com)

If you are experiencing some problems with any of our products or just need additional information, please place your ticket at [www.mikroe.com/en/support](http://www.mikroe.com/en/support)

If you have any questions, comments or business proposals, do not hesitate to contact us at [office@mikroe.com](mailto:office@mikroe.com)