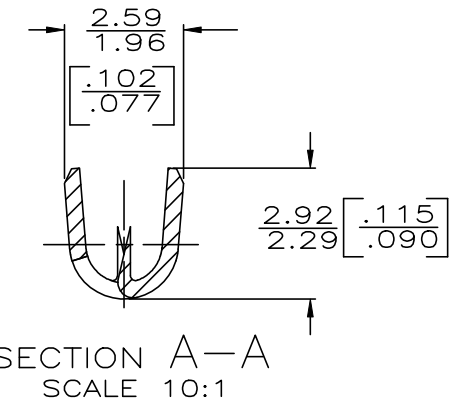
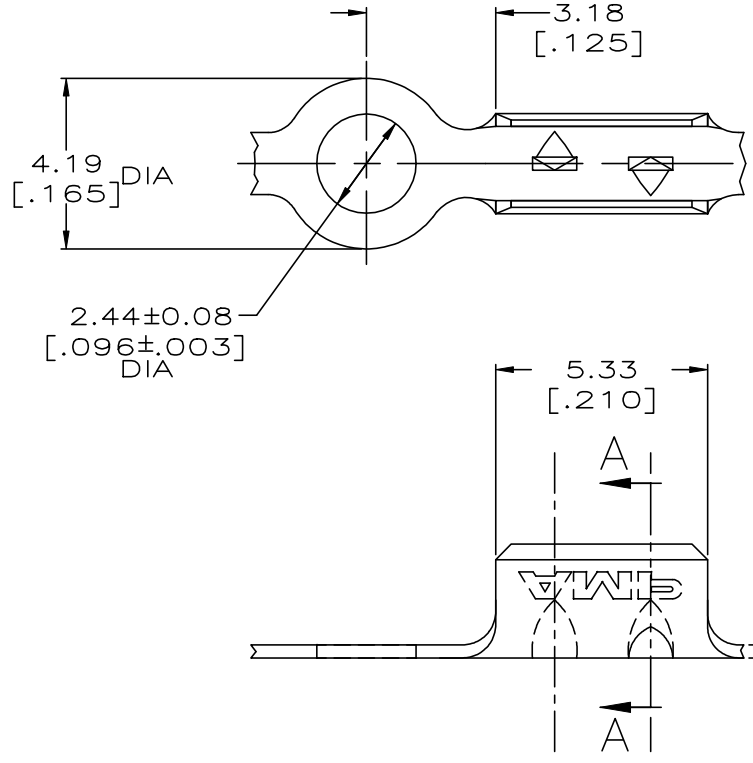


DRAWING MADE IN THIRD ANGLE PROJECTION

THIS DRAWING IS UNPUBLISHED. RELEASED FOR PUBLICATION .19  
 © COPYRIGHT 19 BY AMP INCORPORATED. ALL INTERNATIONAL RIGHTS RESERVED.

LOC	DIST	REVISIONS				
P	F	ZONE	LTR	DESCRIPTION	DATE	APPD
AF	50			S1 REVISED PER ECR-19-017984	28NOV2019	PC/MK

1 CONTINUOUS STRIP ON REEL.



OBSOLETE			41376-2
OBSOLETE			41376-1
	1.27-1.65 DIA [.050-.065]	[22-20] AWG	41376
	INSULATION RANGE	WIRE RANGE	PART NO
DO NOT SCALE PRINT. UNLESS SPECIFIED DIMENSIONS IN mm [INCHES] TOLERANCES ON: 2 PLC DEC ± 0.25 [.010] 3 PLC DEC ± - ANGLES ± -	DR 6/15/94 PHILLIP M FORTNEY CHK 6/15/94 JEFF R RUTH APPD 6/15/94 GARY YEITER		
MATERIAL 082 BRASS	APPD 6/15/94 RON KUZO PRODUCT SPEC -	NAME RING, INSULATION PIERCING	
FINISH 0.00381 [.000150] MIN PRE-TIN PL PER MIL-T-10727	APPLICATION SPEC -	SIZE B	CAGE CODE 00779
	WEIGHT -	SCALE 8:1	DRAWING NO C-41376
			SHEET 1 OF 1

THIS DRAWING IS A CONTROLLED DOCUMENT FOR AMP INCORPORATED. IT IS SUBJECT TO CHANGE AND THE CONTROLLING ENGINEERING ORGANIZATION SHOULD BE CONTACTED FOR THE LATEST REVISION.