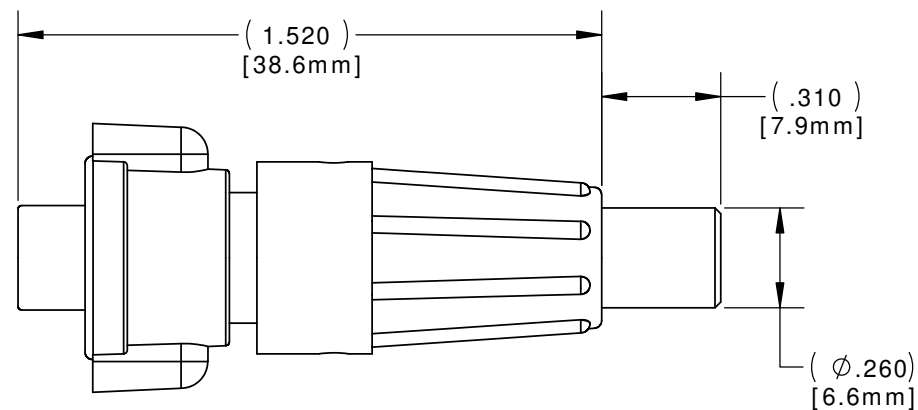
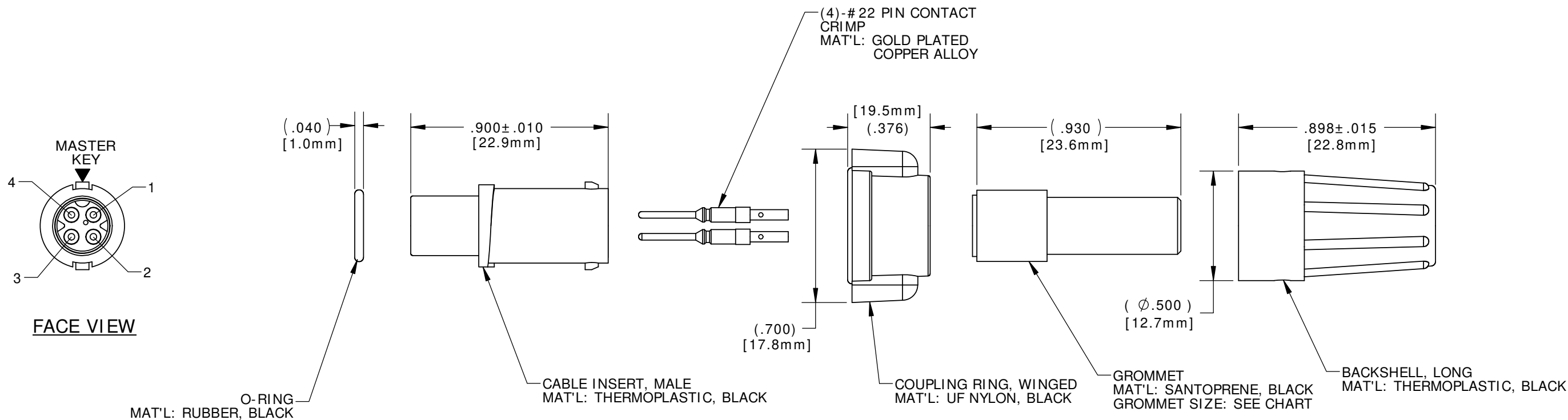


**NOTES:**

1. PARTS ARE TO BE BULKED PACKED.
2. PARENTHESIS ( ) INDICATE REFERENCE DIMENSION.
3. BRACKETS [ ] INDICATE METRIC DIMENSIONS.

ASS'Y P/N	CABLE O.D.
16880-4PG-518W	0.175 - 0.185 [4.4-4.7]
16880-4PG-521W	0.205 - 0.215 [5.2-5.5]
16880-4PG-522W	0.215 - 0.225 [5.5-5.7]

GROMMET SIZE



**ASSEMBLED KIT VIEW**  
 FOR CUSTOMER REFERENCE ONLY

**CUSTOMER APPROVAL**

THIS DOCUMENT CONTAINS CONFIDENTIAL INFORMATION PROPRIETARY TO CONXALL CORPORATION. ANY REPRODUCTION, DISCLOSURE, OR USE OF THIS DOCUMENT / INFORMATION IS EXPRESSLY PROHIBITED UNLESS AUTHORIZED IN WRITING BY CONXALL CORPORATION.

APPROVED BY: \_\_\_\_\_  
 DATE: \_\_\_\_\_

**RoHS COMPLIANT**

A	JD	03-25-14	DRAWING CREATED PER DOR 14-149SL(6)	
REV.	INIT.	DATE	DESCRIPTION	
	PAK	02/24/10	CABLE CONNECTOR KIT (4) PIN CONTACT, CRIMP MICRO-CON-X STANDARD PRODUCT	
<small>ALL INFORMATION ILLUSTRATED IS THE PROPERTY OF CONXALL CORPORATION. UNAUTHORIZED DUPLICATION OR DISTRIBUTION OF THIS DOCUMENT IS PROHIBITED.</small>			<p>601 E. WILDWOOD VILLA PARK, IL 60181</p>	
<small>ALL UNITS ARE IN FEET, INCHES, FRACTION OF INCHES AND DECIMALS.</small>				
APPROVED BY:		TITLE:		
SCALE	SIZE	SHEET		
NTS	B	1 OF 1		
FILE:	DIRECTORY:	PART NUMBER:	REV	
16880-4PG-5XXW	SLW	16880-4PG-5XXW	A	