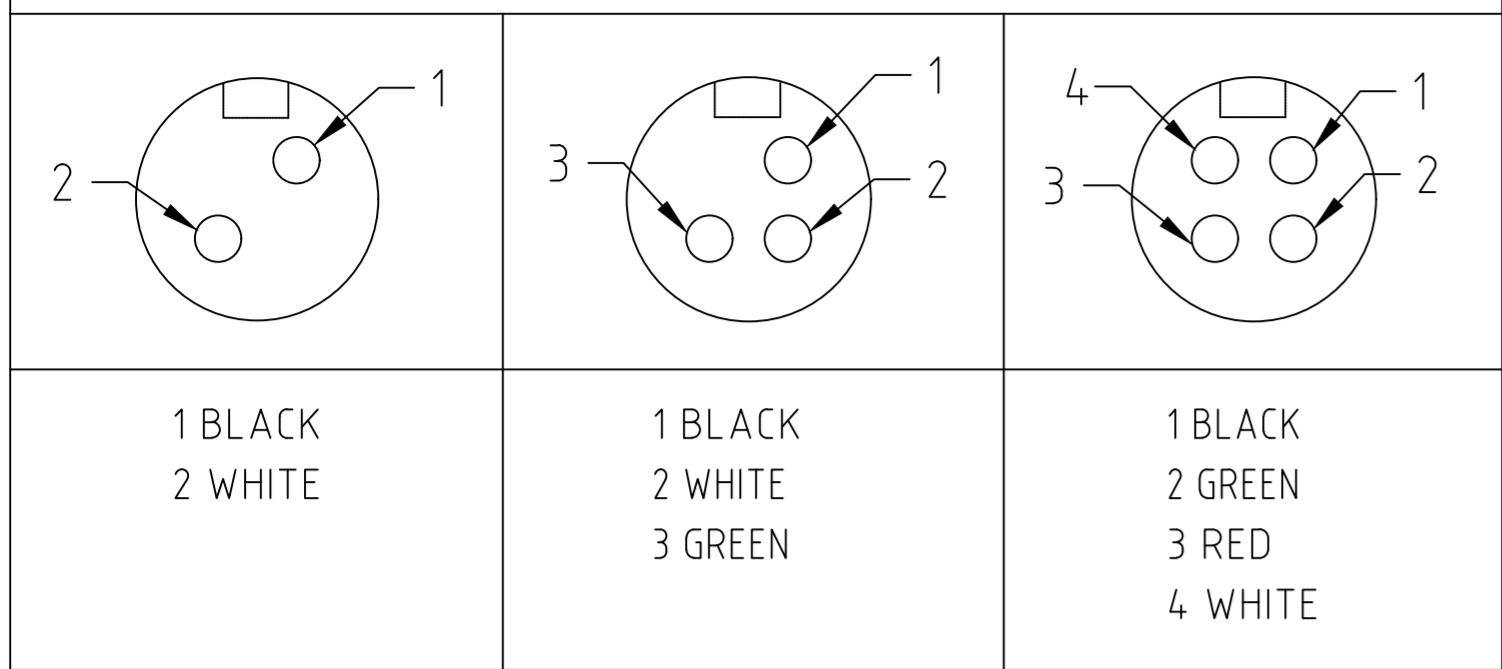


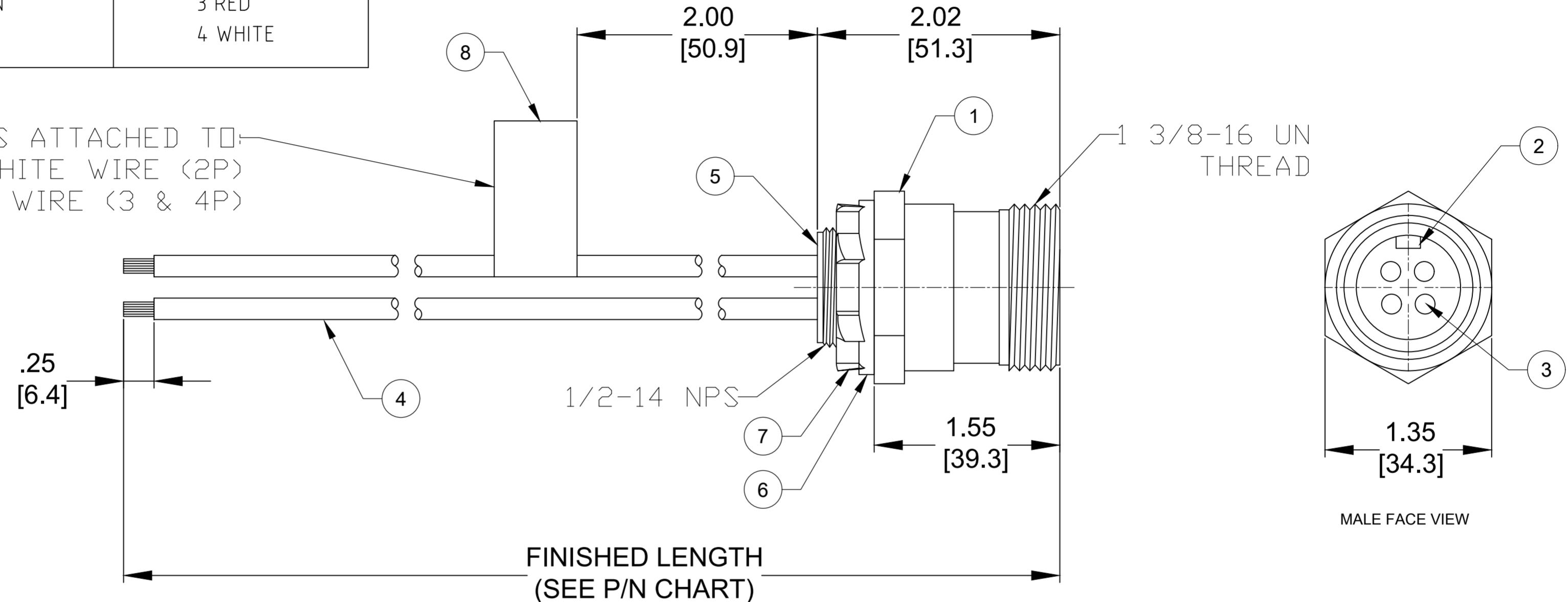
FACE VIEW-MALE INSERT



- |                    |                               |  |
|--------------------|-------------------------------|--|
| 1 BLACK<br>2 WHITE | 1 BLACK<br>2 WHITE<br>3 GREEN | 1 BLACK<br>2 GREEN<br>3 RED<br>4 WHITE |
|--------------------|-------------------------------|--|

MATERIAL NO.	ENGINEERING NO.	POLES	FINISHED LENGTH
1300030015	32065	2	12IN [305mm]
1300030032	32419	3	12IN [305mm]
1300030101	6R3006A30F015	3	18IN [457mm]
1300030061	32767	4	12IN [305mm]
1300030179	6R4006A30F020	4	2.0FT [0.6M]

LABEL IS ATTACHED TO:  
WHITE WIRE (2P)  
GREEN WIRE (3 & 4P)



FINISHED LENGTH  
(SEE P/N CHART)

MALE FACE VIEW

- NOTES:
- MATERIAL: AS NOTED
  - FINISH: AS NOTED
  - ELECTRICAL:  
VOLTAGE: 600V AC/DC  
CURRENT: 2 & 3 POLE: 30A  
4 POLE: 25A
  - TEMP RATING: -20°C TO +105°C
  - PROTECTION: IP67 (WHEN MATED)
  - COUPLING THREAD: AS NOTED
  - UL CERTIFIED FILE: E46237  
CSA CERTIFIED FILE: LR6837
  - ALL DIMS ARE FOR REFERENCE UNLESS TOLERANCED OR NOTED OTHERWISE

PART NUMBER LEGEND

6R4006A30F020  
POLES 2-4  
FINISHED LENGTH:  
A120= 12 INCHES  
F020= 2 FOOT  
F100= 10 FEET  
M005= 0.5 METER  
M010= 1 METER  
M100= 10 METER

CABLE LENGTH TOLERANCES

>.3M [1FT]:	+19mm-0 [+0.75in-0]
.3 - .9M [1 - 3FT]:	+44.5mm-0 [+1.75in-0]
.9 - 1.8M [3 - 6FT]:	+55.6mm-0 [+2.19in-0]
1.8 - 3.7M [6 - 12FT]:	+88.9mm-0 [+3.50in-0]
3.7 - 7.3M [12 - 24FT]:	+165.1mm-0 [+6.50in-0]
7.3-14.6M [24 - 48FT]:	+317.5mm-0 [+12.50in-0]
14.6 - 30.5M [48-100FT]:	+622.3mm-0 [+24.50in-0]
OVER 30M [100FT]	+2% OF FINISHED LENGTH

ITEM	DESCRIPTION	MATERIAL	FINISH
8	WRAP LABEL	VINYL	BLACK/YELLOW
7	LOCK NUT	STEEL	ZINC PLATED
6	GASKET SEAL	NEOPRENE	BLACK
5	POTTING MATERIAL	EPOXY	
4	WIRE, 10 AWG, UL 1015	PVC INSULATION	SEE FACE VIEWS
3	CONTACT PIN	COPPER ALLOY	GOLD PLATED
2	MALE INSERT	RUBBER	YELLOW
1	RECEPTACLE SHELL	NYLON	BLACK

SYMBOLS	THIS DRAWING CONTAINS INFORMATION THAT IS PROPRIETARY TO MOLEX ELECTRONIC TECHNOLOGIES, LLC AND SHOULD NOT BE USED WITHOUT WRITTEN PERMISSION		
	DIMENSION UNITS	SCALE	CURRENT REV DESC: RELEASED
▽ = 0	INCH/MM	1:1	EC NO: 625795 DRWN: RSTONE 2019/10/11 CHK'D: MZIELINSKI 2019/10/16 APPR: BWOODMAN 2019/10/25
▽ = 0	GENERAL TOLERANCES (UNLESS SPECIFIED)		
▽ = 0	mm	INCH	INITIAL REVISION: DRWN: RSTONE 2019/10/11 APPR: BWOODMAN 2019/10/25
▽ = 0	4 PLACES ±----	±----	
▽ = 0	3 PLACES ±----	±----	DOCUMENT NUMBER: 1300030015 DOC TYPE: PSD DOC PART: 000 REVISION: A
▽ = 0	2 PLACES ±----	±----	
▽ = 0	1 PLACE ±----	±----	MATERIAL NUMBER: SEE MAT. NO. CHART CUSTOMER: ---- SHEET NUMBER: 1 OF 1
▽ = 0	0 PLACES ±----	±----	
▽ = 0	ANGULAR TOL ± ---- °		
▽ = 0	DRAFT WHERE APPLICABLE MUST REMAIN WITHIN DIMENSIONS	THIRD ANGLE PROJECTION	DRAWING: C-SIZE SERIES: 130003