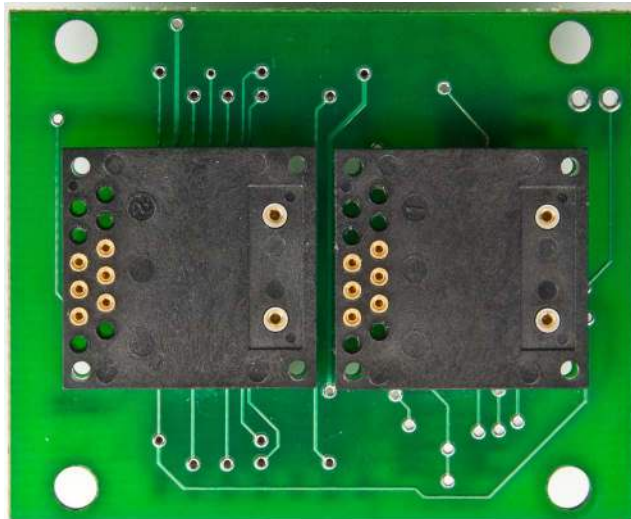


LCD 64x32 Logic Boards Users Manual

Revision B

**NKK SWITCHES**7850 E. Gelding Drive
Scottsdale, AZ 85260

Toll Free 1-877-2BUYNKK (877-228-9655)

Phone 480-991-0942

Fax 480-998-1435

e-mail <engineering@nkkswitches.com>

All Rights Reserved Worldwide

NKK Switches makes no warranty for the use of these products and assumes no responsibility for any errors, which may appear in this document, nor does it make a commitment to update the information contained herein. Smart Switch is trademark of NKK Switches.

TABLE OF CONTENTS

Table of Contents	2
1. Preface.....	3
2. General Logic Board Features	3
3. Part Number Configuration	3
4. Standard Part Numbers	4
5. Connectors	5
6. Board Dimensions.....	7
7. Schematics.....	10
8. Key Terms & Definitions.....	13

1. Preface

The LCD 64x32 logic boards are used for mounting LCD 64x32 SmartSwitches or SmartDisplays into panels and system assemblies. The 2 switch versions are also used in the SmartSwitch Dev Kits as demonstration platforms for the SmartSwitch and SmartDisplays. This user manual will go through general features. The NKK Switches' SmartSwitch web site is <http://www.nkksmartswitch.com/>.

2. General Logic Control Features

The LCD 64x32 logic boards are PCB's that have mount positions for one or more LCD 64x32 SmartSwitches or SmartDisplays. The switches/displays can be mounted directly on the logic board or on a socket mounted on the board. One or two switch boards are the most common but logic boards with other configurations are available as well as custom designs. They have some "glue logic" for converting the select lines and switch scanning to serial, and therefore many logic boards can be daisy-chained via 14-pin ribbon cables. The switch numbering is according to their order in the daisy-chain, where the switch number one is on the logic board connected directly to the controller.

There are three types of LCD 64x32 logic boards; RGB pushbutton, RGB display, and RGB compact.

3. Part Number Configuration

The logic board part numbers are divided up by their attributes.

1
2
3
4
IS - L02A1 - C - IS15DBFP4RGB

1. IS Prefix.
2. The Logic Board base part number. The first number is the quantity of switch positions on the board. The second number is the version.
3. No code = No socket for IS switches.
C = Sockets are soldered to the PCB for IS switches.
4. No code = No IS switches.
IS15... = The logic board is populated by the IS Switches.

Logic boards can be customized based on customer requirements.

4. Standard Part Numbers

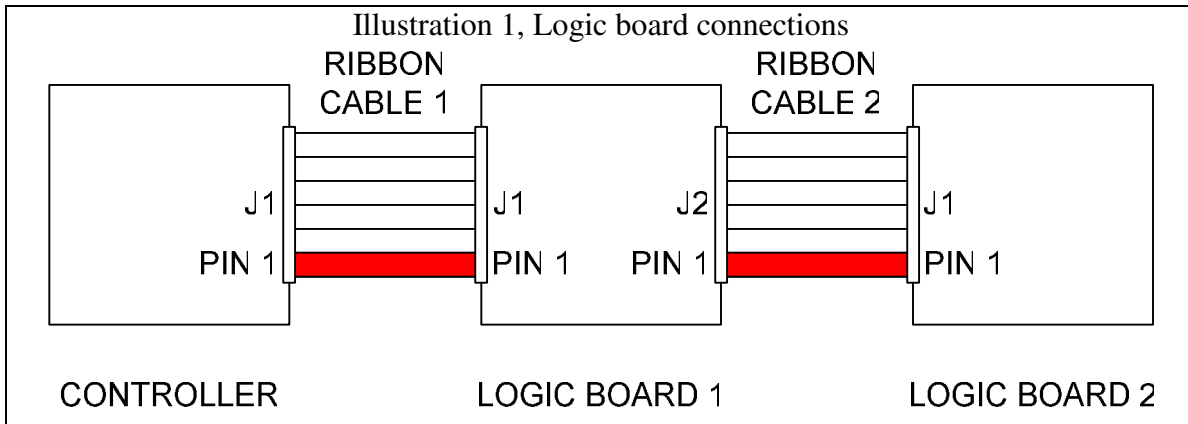
One or two switch boards are the most common but logic boards with other configurations are available as well as custom designs. NKK Switches will work with customers to design and build custom logic boards to fit customer requirements.

Part number examples used in IS Dev Kits:

SmartSwitch Configuration	Part Number	Description
Two LCD 64x32 RGB Pushbutton	IS-L02A1-C	With socket
	IS-L02A1-IS15DBFP4RGB	With switches mounted directly
	IS-L02A1-C-IS15DBFP4RGB	With switches mounted on sockets
Two LCD 64x32 RGB Display	IS-L02F1-C	With socket
	IS-L02F1-IS01DBFRGB	With switches mounted directly
	IS-L02F1-C-IS01DBFRGB	With switches mounted on sockets
Two LCD 64x32 RGB Compact	IS-L02H2-C	With socket
	IS-L02H2-IS15DSBFP4RGB	With switches mounted directly
	IS-L02H2-C-IS15DSBFP4RGB	With switches mounted on sockets

5. Connectors

The SmartSwitch Controller connects to the J1 of the first logic board via 14 pin ribbon cables. The J2 of the first logic board connect to J1 of the second logic board and so on.



Note: Attaching the ribbon cable without the red line on pin 1 on each of the headers may cause damage to the controller or the logic board.

The logic boards have two connectors:

J1 Input port: 7x2 male header .1"x.1" spacing.

This connector connects to the controller port or J2 of the previous logic board in the daisy chain.

Pin	Function	
1	Din	Connected to Din of all SmartSwitches
2	GND	Ground
3	CLK	Clock for all shift registers
4	GND	Ground
5	NC	
6	+9V	9V Supply
7	LP	Latch all shift register outputs to the all drivers
8	oe	Driver Output Enable. Can be connected to gnd.
9	SCK	SCK of all SmartSwitches
10	VLC	VLC of all SmartSwitches
11	SDI	SDI of the all SmartSwitch
12	+9V	9V Supply
13	NC	
14	SWRD	Switch Read bus for all SmartSwitches

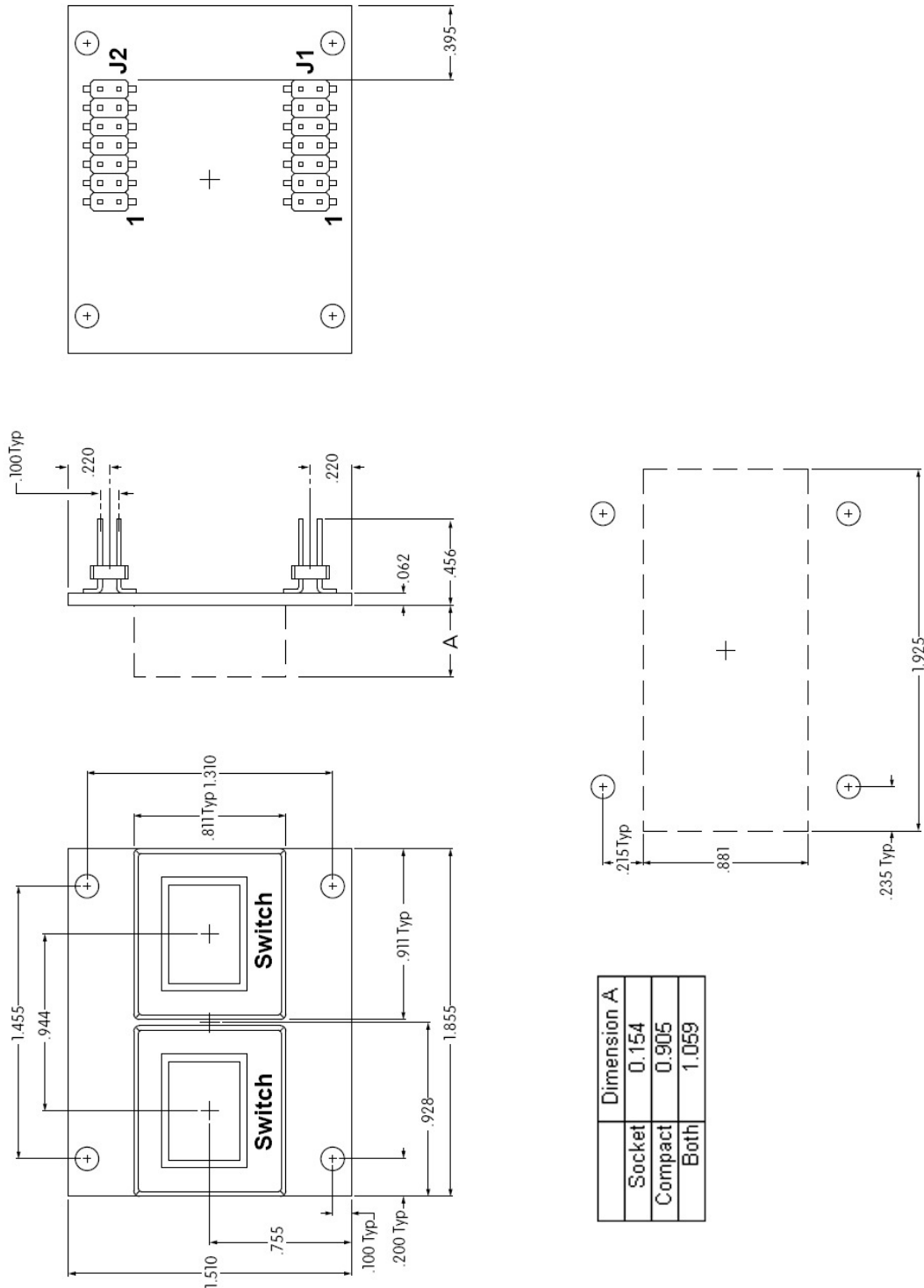
J2 Output port: 7x2 male header .1"x.1" spacing.

This connector connects to J1 of the next logic board in the daisy chain.

Pin	Function	
1	Dout	Connected to Dout of the last shift register
2	GND	Connected to J1
3	CLK	Connected to J1
4	GND	Connected to J1
5	GND	Connected to J1
6	+9V	Connected to J1
7	LP	Connected to J1
8	oe	Connected to J1
9	SCK	Connected to J1
10	VLC	Connected to J1
11	SDI	Connected to J1
12	+9V	Connected to J1
13	GND	Connected to J1
14	SWRD	Connected to J1

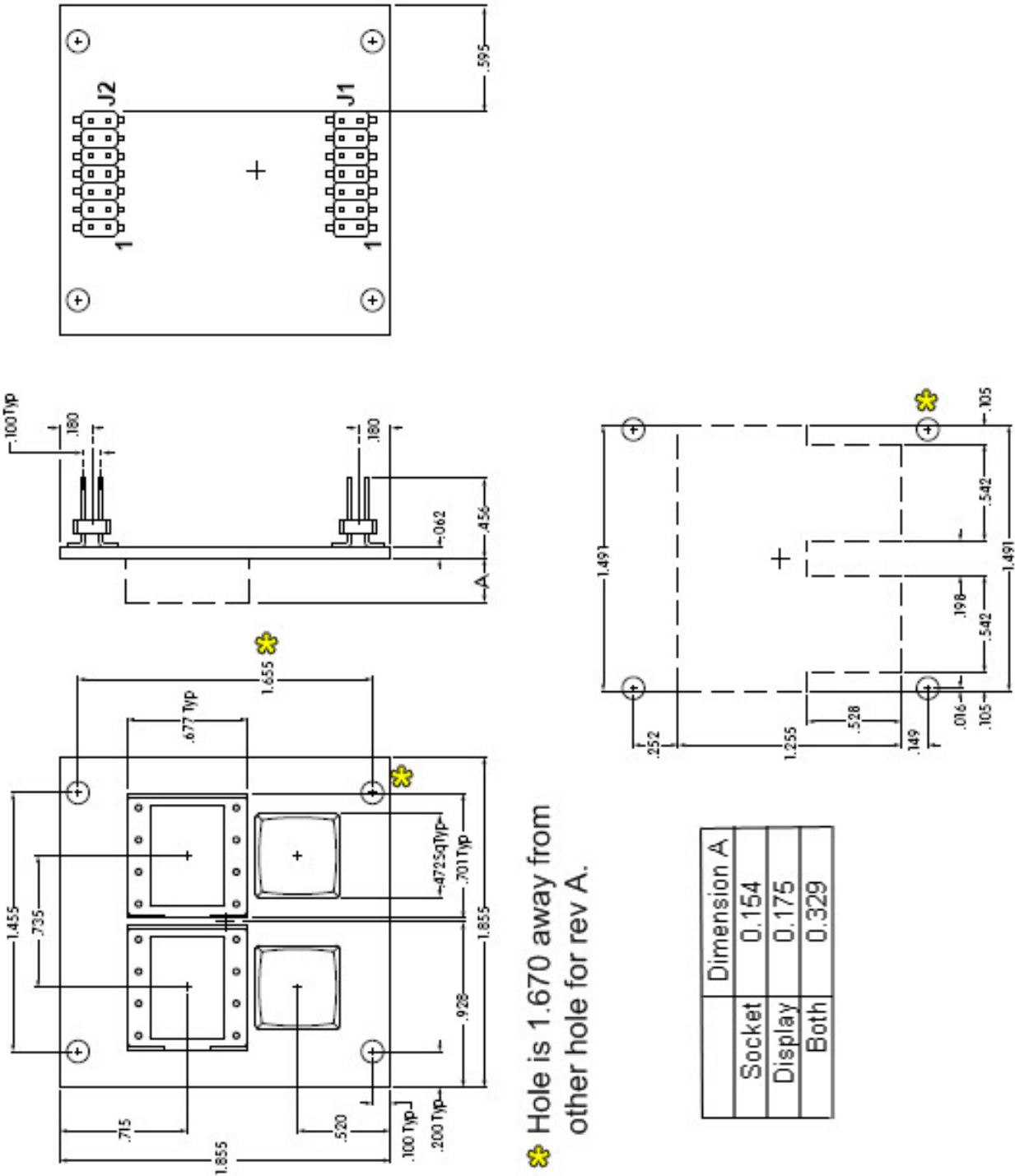
6. Board Dimensions

Logic Board Dimensions for IS-L02A1:



Dimension A	Socket	Compact	Both
	0.154	0.905	1.059

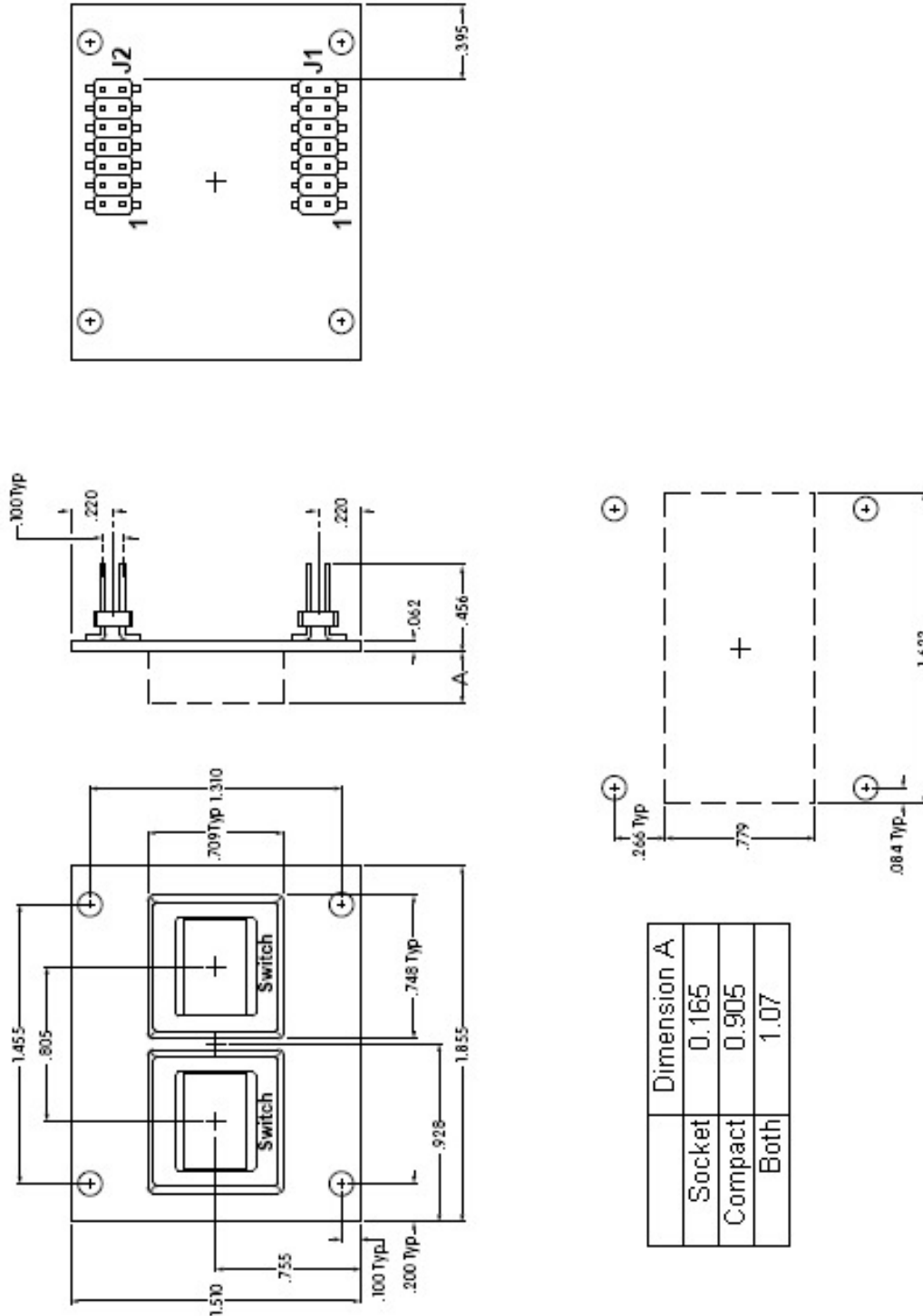
Logic Board Dimensions for IS-L02F1:



***** Hole is 1.670 away from other hole for rev A.

	Dimension A
Socket	0.154
Display	0.175
Both	0.329

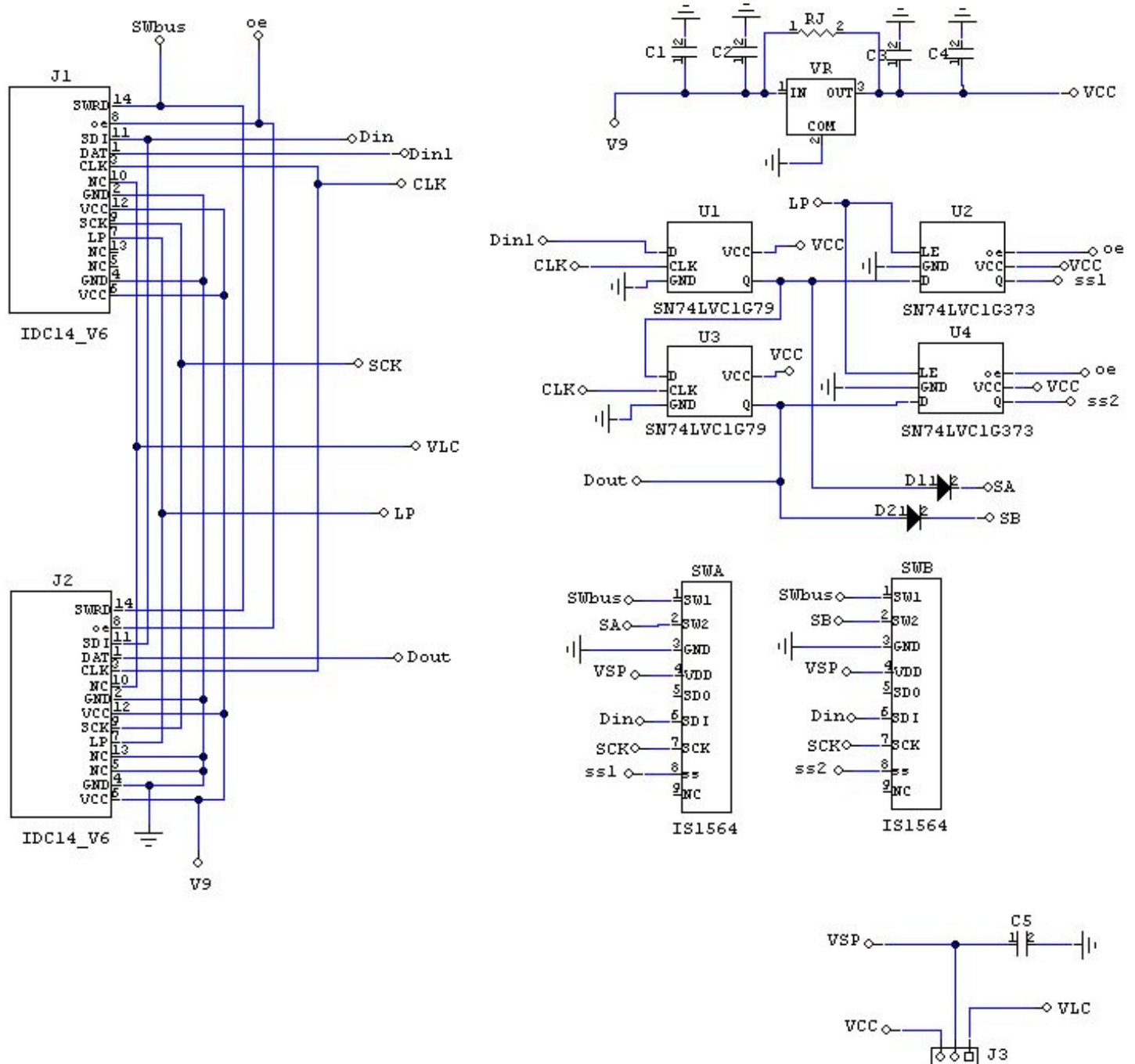
Logic Board Dimensions for IS-L02H2:



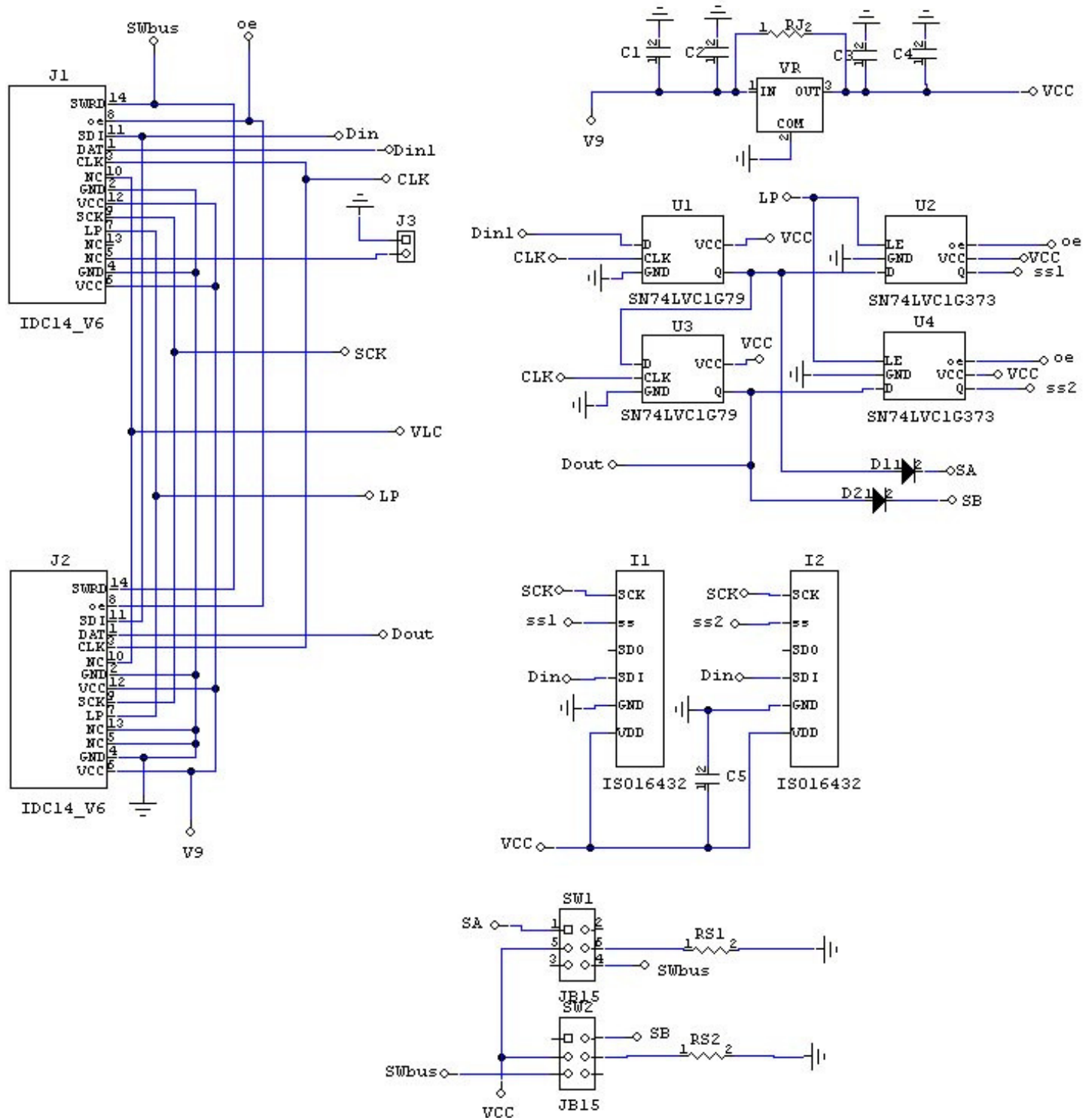
	Dimension A
Socket	0.165
Compact	0.905
Both	1.07

7. Schematics

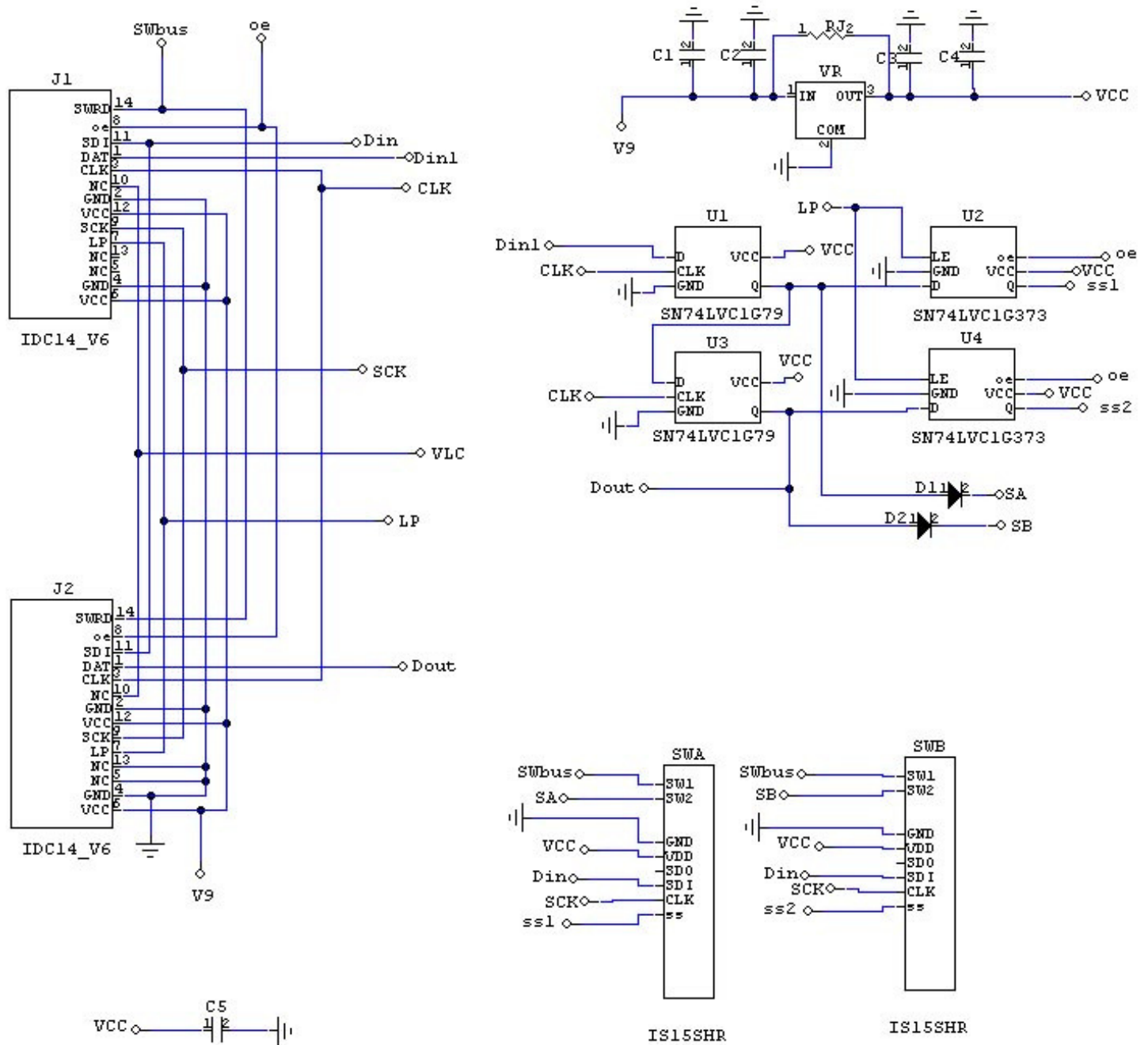
Schematic for IS-L02A1:



Schematic for IS-L02F1:



Schematic for IS-L02H2:



8. Key Terms & Definitions

Module	NKK Switches' LCD SmartSwitches and SmartDisplays.
Host	Any computer, terminal, or other device that can communicate over the RS232 line.
Controller	A PCB assembly that controls one or more logic boards and the switches associated with them. It communicates with a host over the RS232 line.
Logic Board	A PCB assembly with “glue logic” for mounting switches. It is controlled by a controller.
Byte	An eight bit hex value ranging from 00H to FFH (Decimal 0 to 255). The bit format of a byte is: (B7 B6 B5 B4 B3 B2 B1 B0) where B7 is most significant and bit B0 is least significant bit.
Nibble/Hex digit	A four bit value ranging from 0H to FH. A byte consists of two nibbles.
ASCII	A byte value representing a symbol.
Communication Format	<p>There are two formats to transmit a byte:</p> <ol style="list-style-type: none">Hex format - A hex byte is transmitted without any change to it. [xxH] will be used to denote this. All commands and some data are sent by using this format.ASCII HEX format - Each nibble of the byte is converted to ASCII code and sent as a byte. [xxAH] will be used to denote this. For example, the hex byte 5AH is transmitted in two bytes, 35H and 41H. The ASCII value for 5 is 35H and the ASCII value for A is 41H. All addresses and most data are sent using this format.
Address	A one byte value ranging from 01H to FFH representing the 255 memory.