
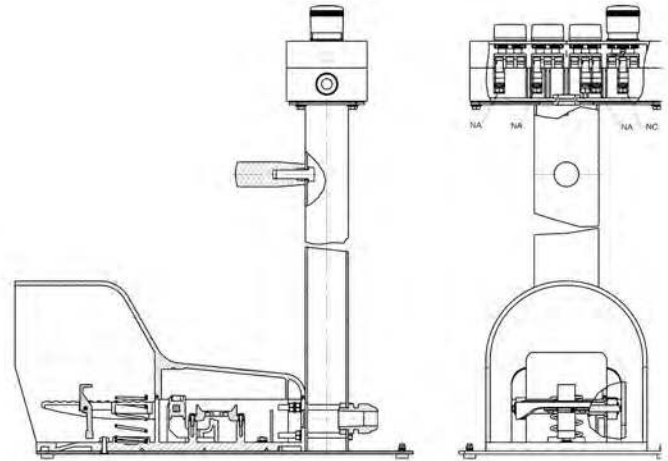




SINGLE FOOT SWITCHES	DESCRIPTION	CONTACTS	CODE	MIN. PACK	WEIGHT
	Foot switch with trigger mechanism and ENI ISO 13850 emergency stop. Colour: ■ PANTONE 102C	Slow break		Quantity	gr.
		1NO	IP7007EM	1	3.900
		Two speeds 1NO + 1NO	IP7015EM	1	3.910

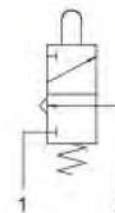
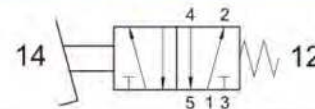
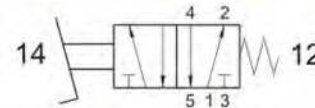


ON REQUEST

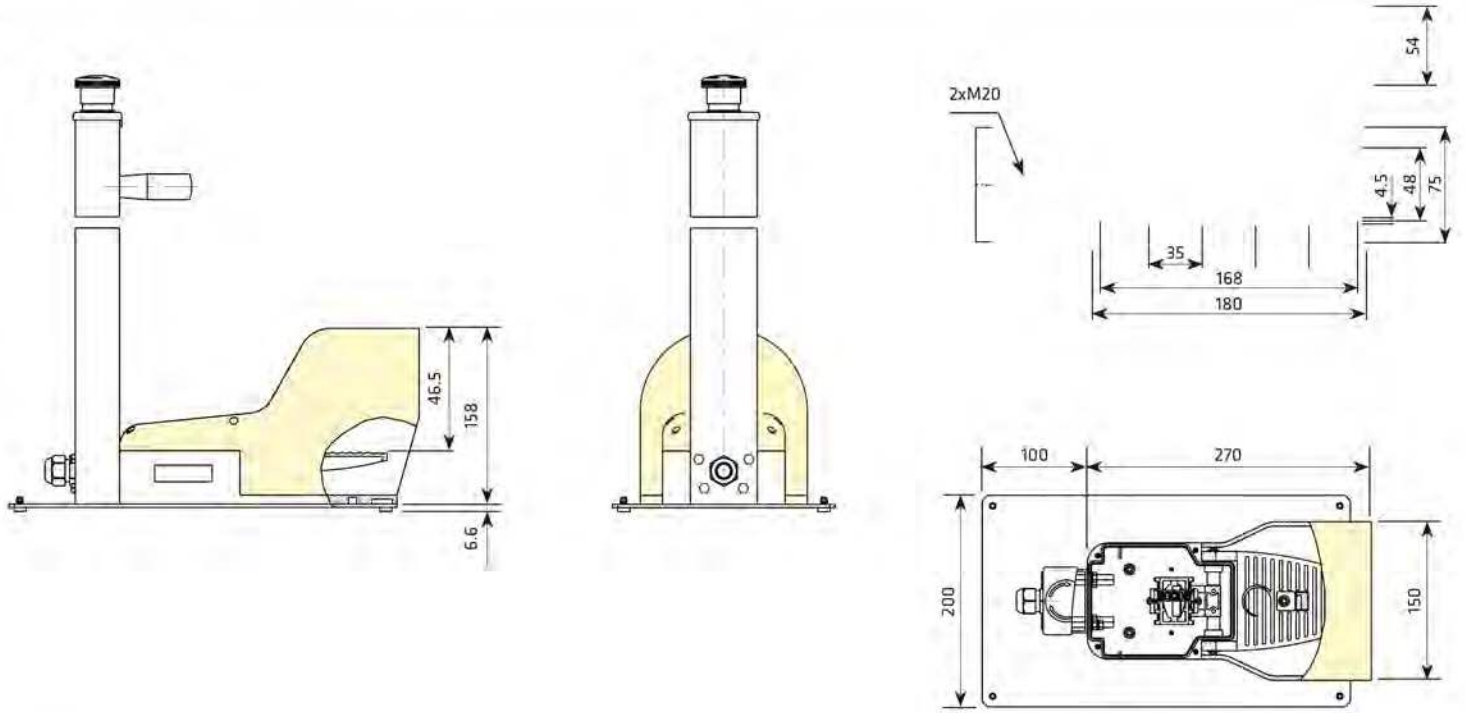
IP7026 with PQ01 station 4 holes
with EN ISO 13850 emergency stop.



PNEUMATIC SINGLE FOOT SWITCHES	DESCRIPTION	CONTACTS	CODE	MIN. PACK	WEIGHT
	Foot switch pneumatic with trigger mechanism. Colour: ■ PANTONE 102C	Slow break		Quantity	gr.
		With 1/4" 5 ways valve	IP7023	1	1.600
	Foot switch Pneumatic with pedal latching device and without trigger mechanism. Colour: ■ PANTONE 102C	With 1/4" 5 ways valve	IP7024	1	1.600
		With 3/2" ways valve	IP7032	1	1.600



DIMENSIONAL DRAWINGS



DIMENSIONAL DRAWINGS

