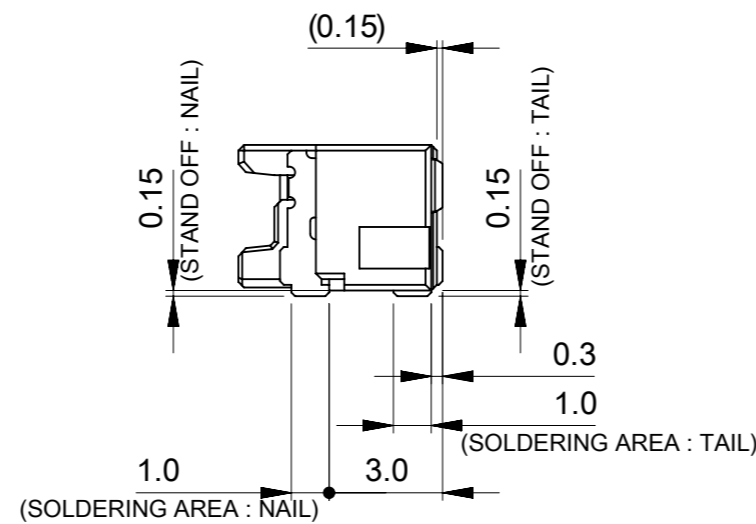
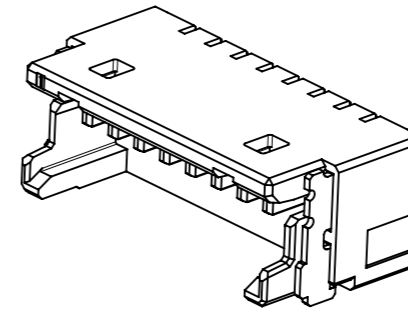


② ターミナル及びネイル
TERMINAL AND NAIL

△ TABLE 1

番号 NO.	部品 PART	材質 MATERIAL
①	ハウジング HOUSING	ポリアミド(PA),ガラス充填,UL94 V-0,色 : 黒 POLYAMIDE (PA),GLASS FILLED,UL94 V-0,COLOR:BLACK
②	ターミナル及びネイル TERMINAL AND NAIL	黄銅 BRASS
		錫めっき : 1.0 MICROMETER MINIMUM MATTE TIN PLATING ニッケルめっき(下地全面) : 1.0 MICROMETER MINIMUM NICKEL (UNDER-PLATING OVERALL)

DOCUMENT STATUS P1 RELEASE DATE 2021/12/13 10:05:07



キャビティ番号及び金型番号
CAVITY AND MOLD NO.

トレードマーク
TRADE MARK

注記 NOTE

- △1 材料及び仕上げ (めっき仕様) : TABLE 1 参照
MATERIAL AND FINISHED (PLATING SPECIFICATION) : SEE TABLE 1
- △2 嵌合相手 : 214092 シリーズ
MATE WITH: 214092 SERIES
- △3 偶数極 に適用
APPLY FOR EVEN CIRCUIT.
4. ターミナルとネイルの平坦度は0.1mm以下
TERMINAL AND NAIL COPLANARITY : 0.1mm MAXIMUM
5. 製品仕様書 : 2140920000-PS 000
PRODUCT SPECIFICATION : 2140920000-PS 000
6. アプリケーション仕様書 : 2166940000-AS 000
APPLICATION SPECIFICATION : 2166940000-AS 000
- △7 発注番号 : SHEET 5の製品一覧を参照ください
ORDER NO. : REFER TO SHEET 5 FOR PRODUCT LIST

9.52	7.0	10.54	8
8.52	6.0	9.54	7
7.52	5.0	8.54	6
6.52	4.0	7.54	5
5.52	3.0	6.54	4
4.52	2.0	5.54	3
3.52	1.0	4.54	2
C	B	A	極数 CIRCUIT SIZE

214097 0 0 * 0

極数
CIRCUIT SIZE

DIMENSION UNITS		SCALE	CURRENT REV DESC:			
mm	NTS					
GENERAL TOLERANCES (UNLESS SPECIFIED)						
ANGULAR TOL	±	3.0°				
4 PLACES	±	0.2				
3 PLACES	±	0.2				
2 PLACES	±	0.2				
1 PLACE	±	0.2				
0 PLACES	±	0.2				
DRAFT WHERE APPLICABLE MUST REMAIN WITHIN DIMENSIONS						
THIRD ANGLE PROJECTION						
DRAWING						
SERIES						
MATERIAL NUMBER						
CUSTOMER						
SHEET NUMBER						

molex

ONEBLADE1.0 WT
SINGLE ROW RIGHT ANGLE SMT HEADER
ASSEMBLY TIN PLATING

PRODUCT CUSTOMER DRAWING

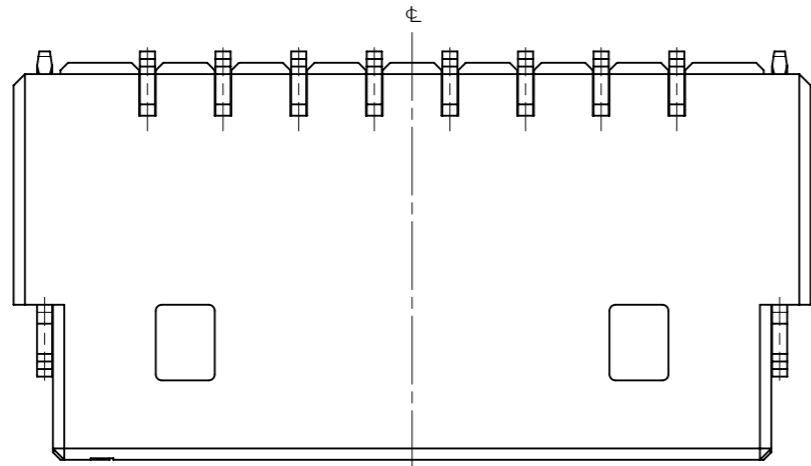
DOCUMENT NUMBER 2140970000-SD DOC TYPE PSD DOC PART 000 REVISION A

INITIAL REVISION: DRWN: AISHIKAWA 2021/07/19 APPR: SAKIYAMA 2021/12/13

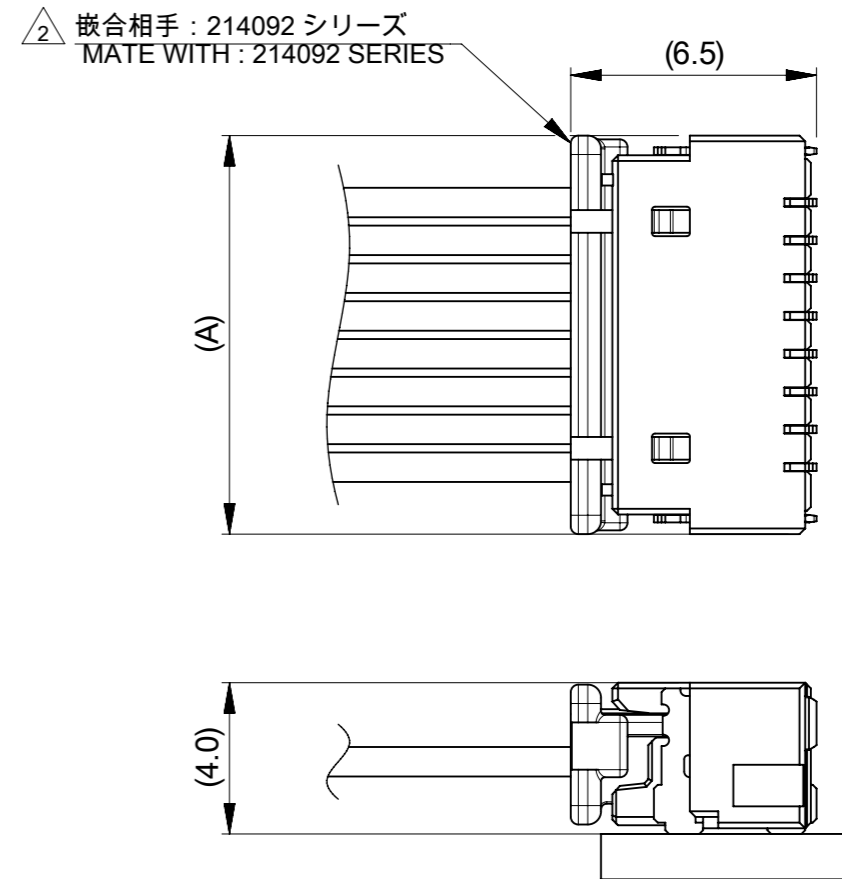
DRWN: AISHIKAWA 2021/07/19 APPR: SAKIYAMA 2021/12/13

A3-SIZE 214097

SEE SHEET 5 GENERAL 1 OF 5

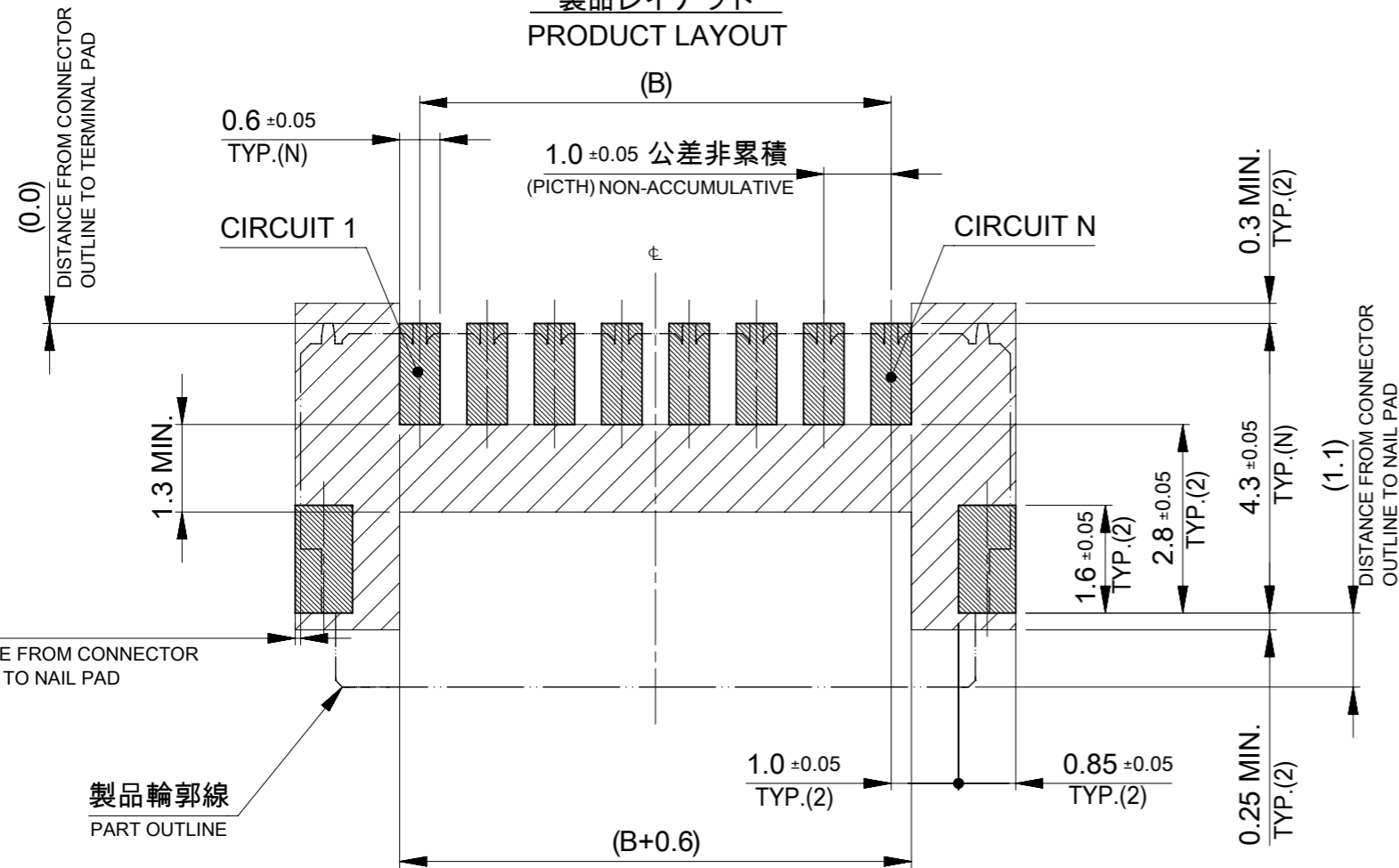


製品レイアウト
PRODUCT LAYOUT



嵌合状態図
MATED CONNECTORS

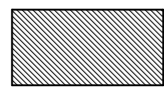
△ 嵌合相手 : 214092 シリーズ
MATE WITH : 214092 SERIES



(0.0) DISTANCE FROM CONNECTOR OUTLINE TO TERMINAL PAD

(0.08) DISTANCE FROM CONNECTOR OUTLINE TO NAIL PAD

製品輪郭線
PART OUTLINE



推奨基板レイアウト:実装面側

(参考: 基板厚1.2mm, メタルマスク厚0.1~0.12mm, マスク開口率100%)

SUGGESTED PCB LAYOUT : COMPONENT SIDE

(REFERENCE: PCB THICKNESS 1.2mm, STENCIL THICKNESS 0.1~0.12mm, APERTURE RATIO 100%)

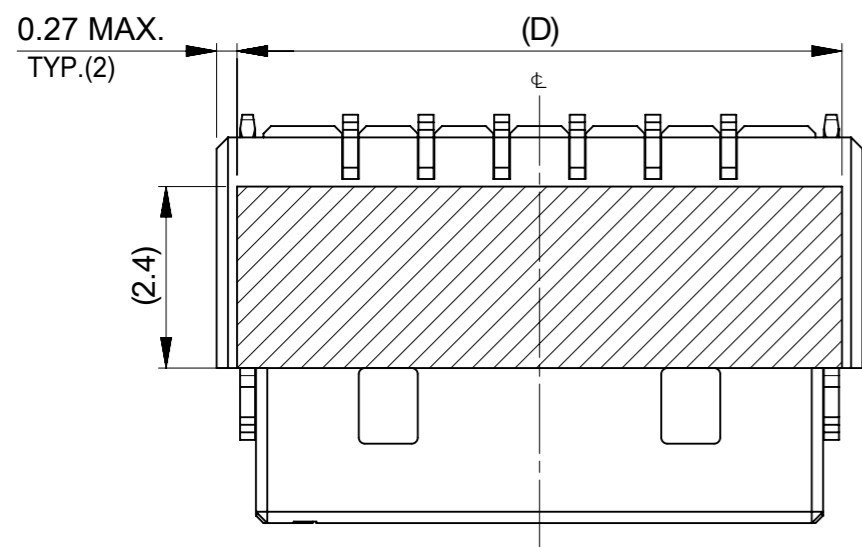


:パターン非推奨エリア

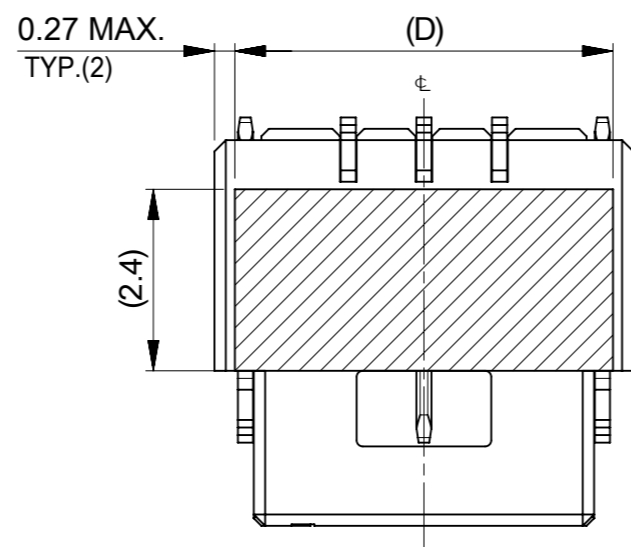
パターンを引き回す際は、製品機能に影響がないことをご確認ください。
PATTERN IS NOT RECOMMENDED ON THE HATCHING AREA
PLEASE CHECK NOT TO HAVE PROBLEM FOR PRODUCT FUNCTION
WHEN SETTING PATTERN ON THE HATCHING AREA.

THIS DRAWING CONTAINS INFORMATION THAT IS PROPRIETARY TO MOLEX ELECTRONIC TECHNOLOGIES, LLC AND SHOULD NOT BE USED WITHOUT WRITTEN PERMISSION									
DIMENSION UNITS		SCALE		CURRENT REV DESC:					
mm		NTS		<p>molex</p> <p>ONEBLADE1.0 WTB SINGLE ROW RIGHT ANGLE SMT HEADER ASSEMBLY TIN PLATING</p> <p>PRODUCT CUSTOMER DRAWING</p> <p>DOCUMENT NUMBER: 2140970000-SD DOC TYPE: PSD DOC PART: 000 REVISION: A</p>					
GENERAL TOLERANCES (UNLESS SPECIFIED)									
ANGULAR TOL ± 3.0°									
4 PLACES		± 0.2							
3 PLACES		± 0.2							
2 PLACES		± 0.2							
1 PLACE		± 0.2		EC NO: 688260		2021/07/19		DRWN: AISHIKAWA	
0 PLACES		± 0.2		DRWN: AISHIKAWA		2021/12/13		CHK'D: AIDA	
DRAFT WHERE APPLICABLE MUST REMAIN WITHIN DIMENSIONS		THIRD ANGLE PROJECTION		DRAWING		SERIES		MATERIAL NUMBER	
		A3-SIZE		214097		SEE SHEET 5		CUSTOMER	
						GENERAL		SHEET NUMBER	
						2 OF 5			

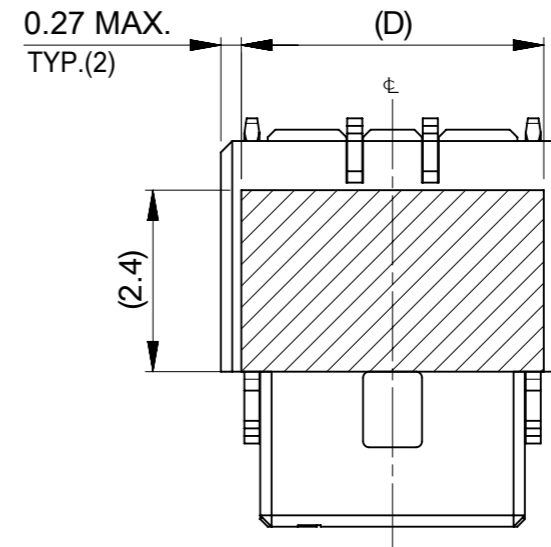
製品形状及び吸着エリア PRODUCT SHAPE AND SUCTION AREA



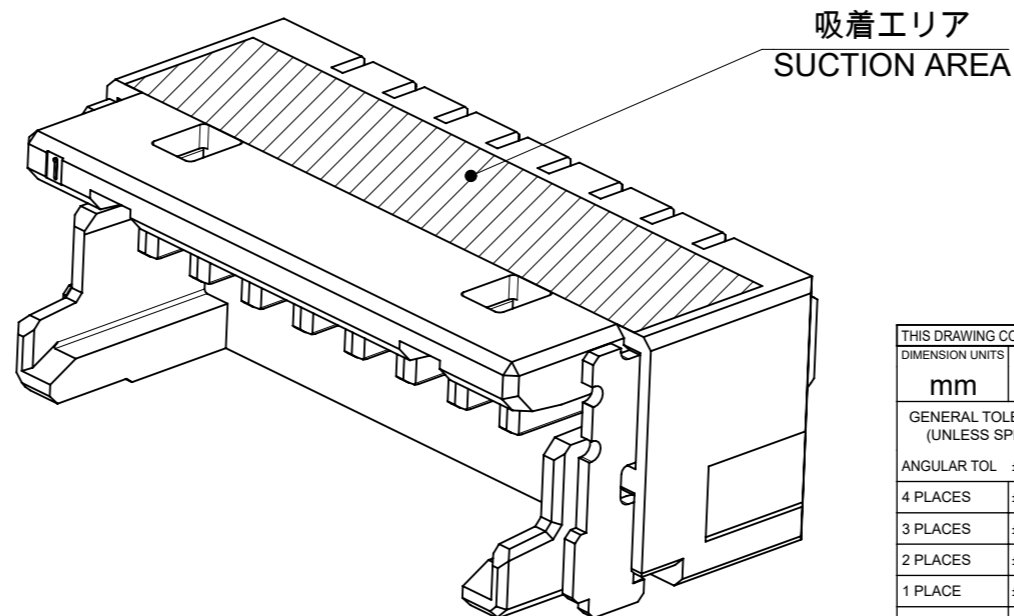
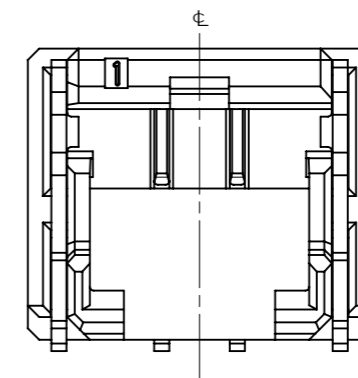
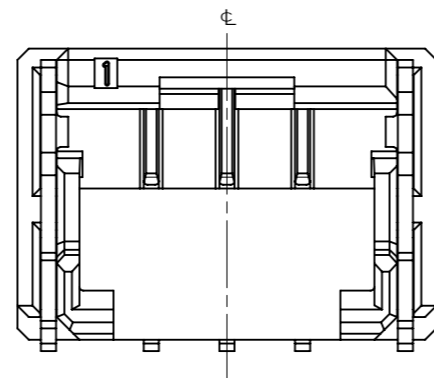
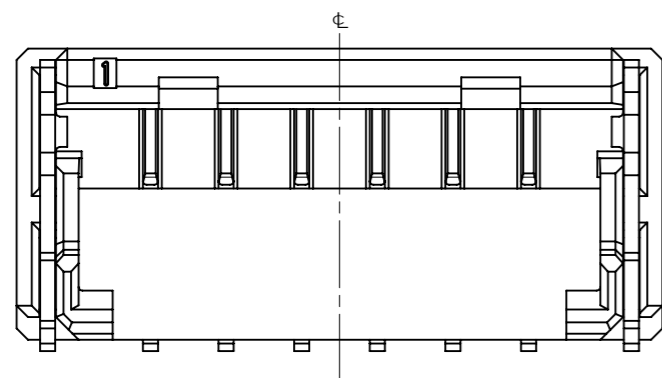
4~8極形状(2ロック)
VIEW OF 4~8 CIRCUIT(2 LOCKS)



3極形状(1ロック)
VIEW OF 3 CIRCUIT(1 LOCK)

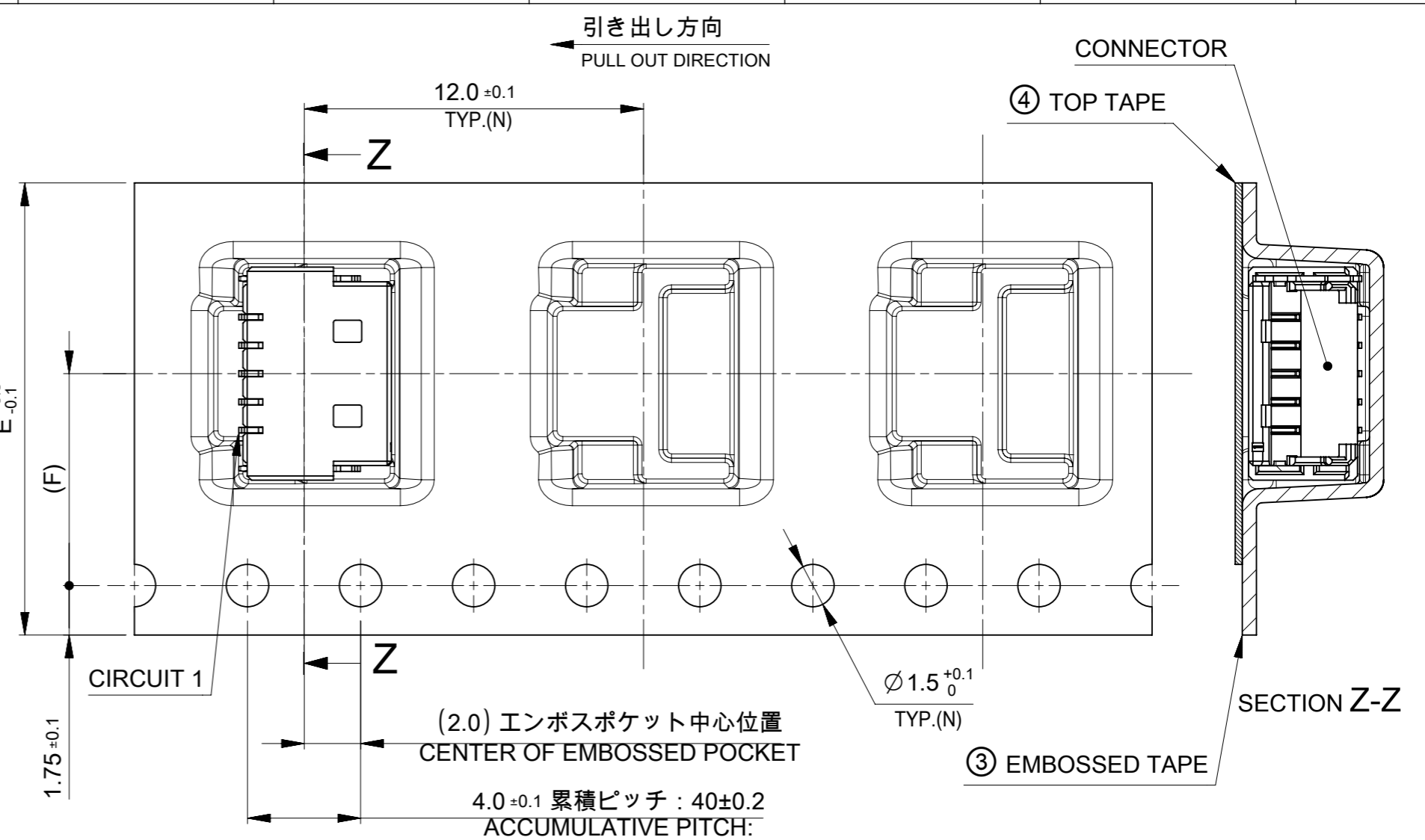
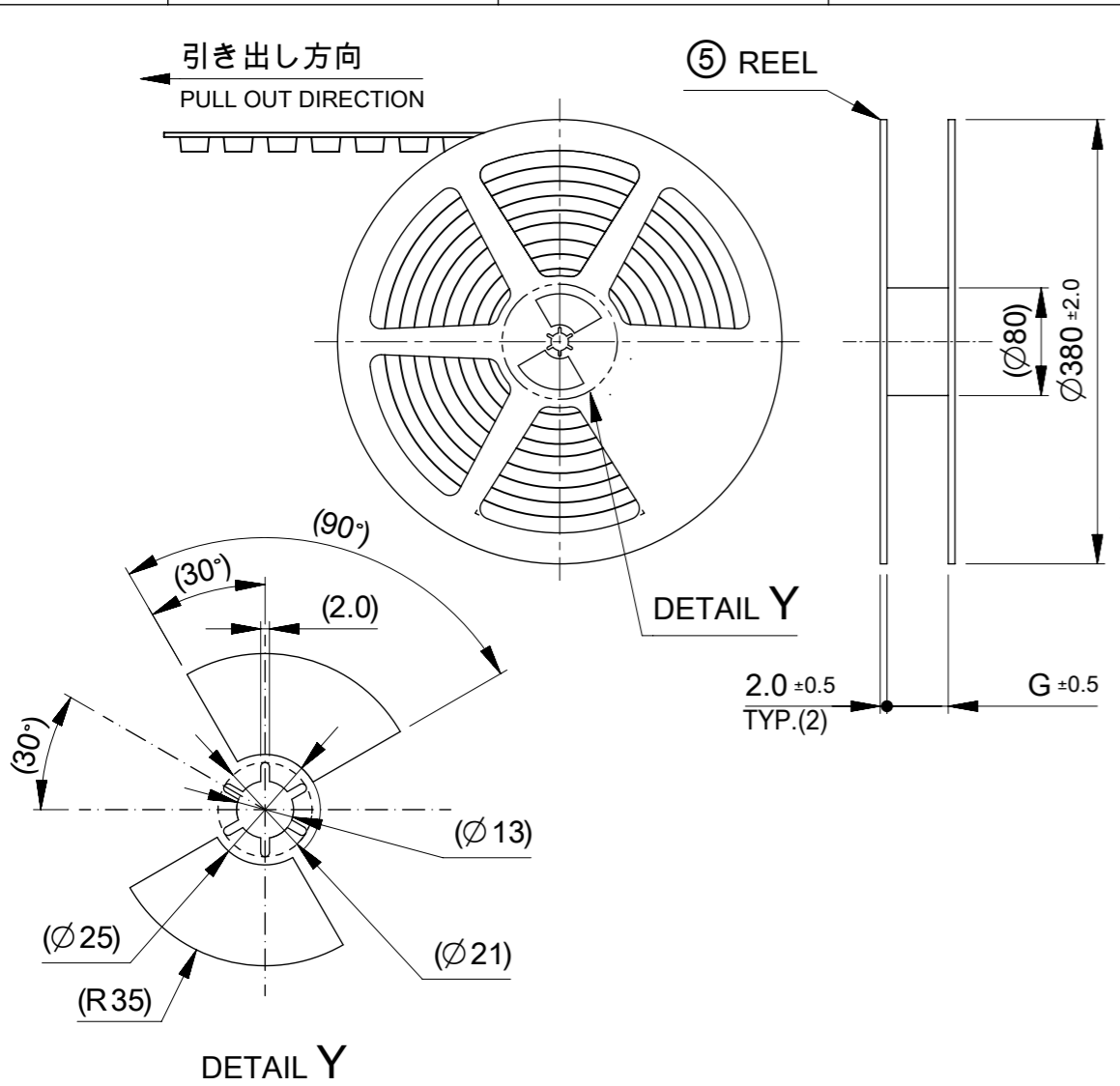


2極形状(1ロック)
VIEW OF 2 CIRCUIT(1 LOCK)



10.0	8
9.0	7
8.0	6
7.0	5
6.0	4
5.0	3
4.0	2
D	極数 CIRCUIT SIZE

THIS DRAWING CONTAINS INFORMATION THAT IS PROPRIETARY TO MOLEX ELECTRONIC TECHNOLOGIES, LLC AND SHOULD NOT BE USED WITHOUT WRITTEN PERMISSION									
DIMENSION UNITS mm		SCALE NTS		CURRENT REV DESC:				molex	
GENERAL TOLERANCES (UNLESS SPECIFIED)		ANGULAR TOL ± 3.0°		EC NO: 688260					
4 PLACES ± 0.2		3 PLACES ± 0.2		DRWN: AISHIKAWA		2021/07/19		ONEBLADE1.0 WTB SINGLE ROW RIGHT ANGLE SMT HEADER ASSEMBLY TIN PLATING	
2 PLACES ± 0.2		1 PLACE ± 0.2		CHK'D: AIDA		2021/12/13		PRODUCT CUSTOMER DRAWING	
0 PLACES ± 0.2		DRAFT WHERE APPLICABLE MUST REMAIN WITHIN DIMENSIONS		APPR: SAKIYAMA		INITIAL REVISION:		DOCUMENT NUMBER	
THIRD ANGLE PROJECTION		DRAWING		SERIES		MATERIAL NUMBER		CUSTOMER	
A3-SIZE		214097		2021/07/19		2021/12/13		2140970000-SD	
PSD		000		A		3 OF 5			



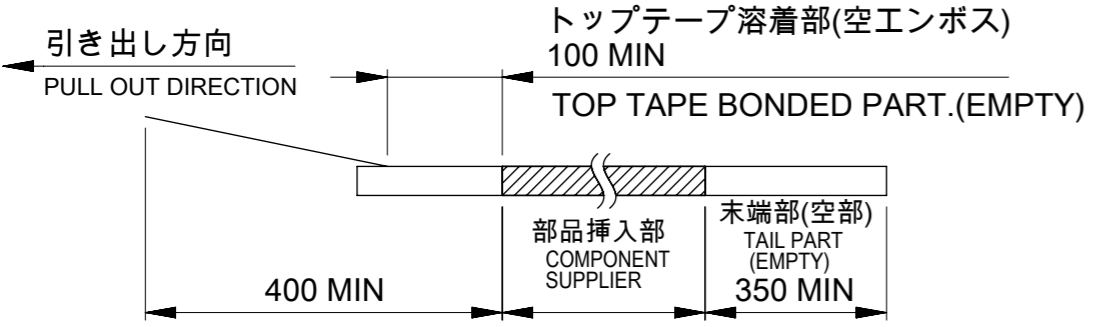
注記:
NOTES:

8. 梱包数量 : 1,600個/リール
NUMBER OF CONNECTORS : 1,600 PIECES/REEL

9. リードテープ長さ
LEAD TAPE LENGTH

10. トップテープの剥離強度はIEC60286-3に準拠。
TOP TAPE PEELING FORCE IS DEFINED BY IEC60286-3.

11. 梱包仕様書 : 2140979200-SPK 200
PACKAGING SPECIFICATION : 2140979200-SPK 200



番号 No.	部品 PART	材質 MATERIAL
③	エンボステープ EMBOSSSED TAPE	ポリスチレン(PS),その他 POLYSTYRENE(PS),etc
④	トップテープ TOP TAPE	ポリエチレン(PE),その他 POLYETHYLENE(PE),etc
⑤	リール REEL	ポリスチレン(PS) <リサイクル材を含む> POLYSTYRENE(PS) <RECYCLE MATERIAL CONTAINED >

25.5	11.5	24	8
			7
			6
17.5	7.5	16	5
			4
			3
			2
G	コネクタ中心位置 F CENTER OF CONNECTOR	エンボステープ幅 E WIDTH OF TAPE	極数 CIRCUIT SIZE

THIS DRAWING CONTAINS INFORMATION THAT IS PROPRIETARY TO MOLEX ELECTRONIC TECHNOLOGIES, LLC AND SHOULD NOT BE USED WITHOUT WRITTEN PERMISSION

DIMENSION UNITS: mm SCALE: NTS

GENERAL TOLERANCES (UNLESS SPECIFIED):

ANGULAR TOL ± 3.0 °

4 PLACES ± 0.2
3 PLACES ± 0.2
2 PLACES ± 0.2
1 PLACE ± 0.2
0 PLACES ± 0.2

DRAFT WHERE APPLICABLE MUST REMAIN WITHIN DIMENSIONS

THIRD ANGLE PROJECTION

DRAWING: A3-SIZE SERIES: 214097 MATERIAL NUMBER: SEE SHEET 5 CUSTOMER: GENERAL SHEET NUMBER: 5 OF 5

CURRENT REV DESC:

EC NO: 688260
DRWN: AISHIKAWA 2021/07/19
CHK'D: AIDA 2021/12/13
APPR: SAKIYAMA 2021/12/13

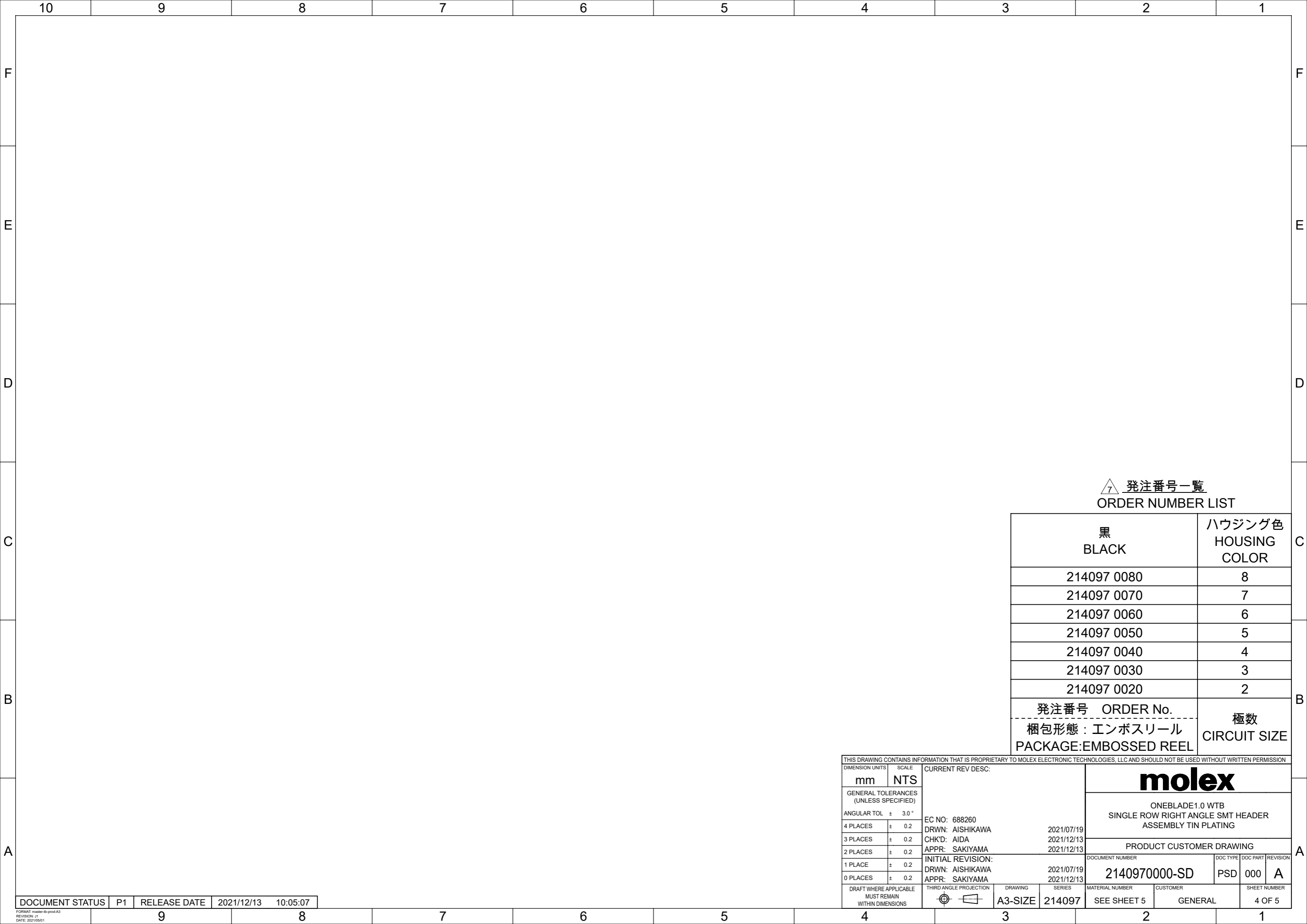
INITIAL REVISION:
DRWN: AISHIKAWA 2021/07/19
APPR: SAKIYAMA 2021/12/13

DOCUMENT NUMBER: 2140970000-SD DOC TYPE: PSD DOC PART: 000 REVISION: A

molex

ONEBLADE1.0 WT B
SINGLE ROW RIGHT ANGLE SMT HEADER
ASSEMBLY TIN PLATING

PRODUCT CUSTOMER DRAWING



△ 発注番号一覧
ORDER NUMBER LIST

黒 BLACK	ハウジング色 HOUSING COLOR
214097 0080	8
214097 0070	7
214097 0060	6
214097 0050	5
214097 0040	4
214097 0030	3
214097 0020	2
発注番号 ORDER No. ----- 梱包形態：エンボスリール PACKAGE:EMBOSSED REEL	極数 CIRCUIT SIZE

THIS DRAWING CONTAINS INFORMATION THAT IS PROPRIETARY TO MOLEX ELECTRONIC TECHNOLOGIES, LLC AND SHOULD NOT BE USED WITHOUT WRITTEN PERMISSION											
DIMENSION UNITS	SCALE	CURRENT REV DESC:									
mm	NTS										
GENERAL TOLERANCES (UNLESS SPECIFIED)		EC NO: 688260 DRWN: AISHIKAWA 2021/07/19 CHK'D: AIDA 2021/12/13 APPR: SAKIYAMA 2021/12/13 INITIAL REVISION: DRWN: AISHIKAWA 2021/07/19 APPR: SAKIYAMA 2021/12/13			ONEBLADE1.0 WTB SINGLE ROW RIGHT ANGLE SMT HEADER ASSEMBLY TIN PLATING						
ANGULAR TOL ± 3.0 °					PRODUCT CUSTOMER DRAWING						
4 PLACES ± 0.2	DOCUMENT NUMBER					DOC TYPE	DOC PART	REVISION			
3 PLACES ± 0.2	2140970000-SD					PSD	000	A			
2 PLACES ± 0.2	DRAWING					CUSTOMER		SHEET NUMBER			
1 PLACE ± 0.2	A3-SIZE					GENERAL		4 OF 5			
0 PLACES ± 0.2	SERIES										
DRAFT WHERE APPLICABLE MUST REMAIN WITHIN DIMENSIONS		THIRD ANGLE PROJECTION		MATERIAL NUMBER		CUSTOMER					
				SEE SHEET 5		GENERAL					

DOCUMENT STATUS	P1	RELEASE DATE	2021/12/13	10:05:07
-----------------	----	--------------	------------	----------