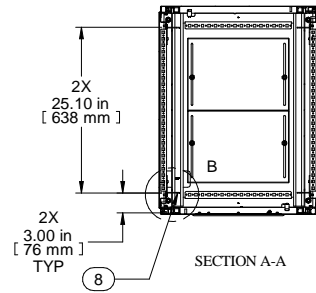
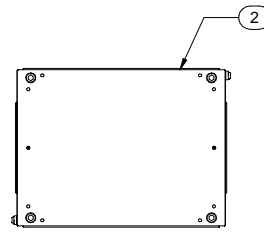


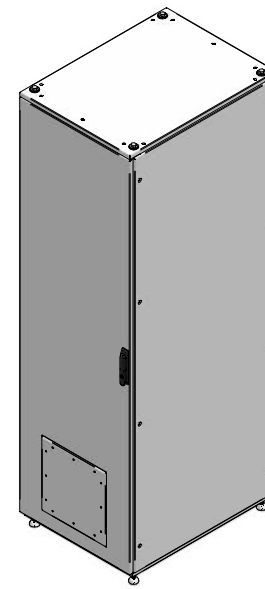
DETAIL B



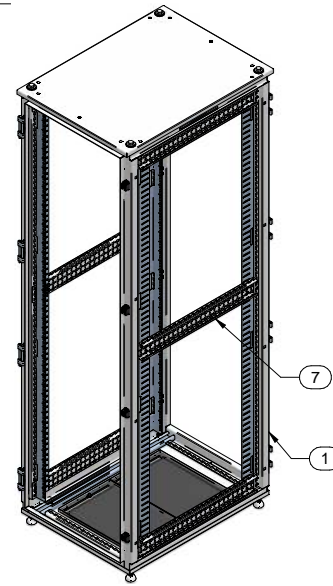
SECTION A-A



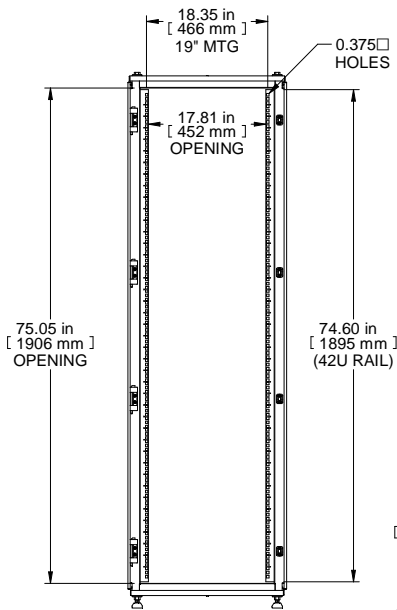
TOP VIEW



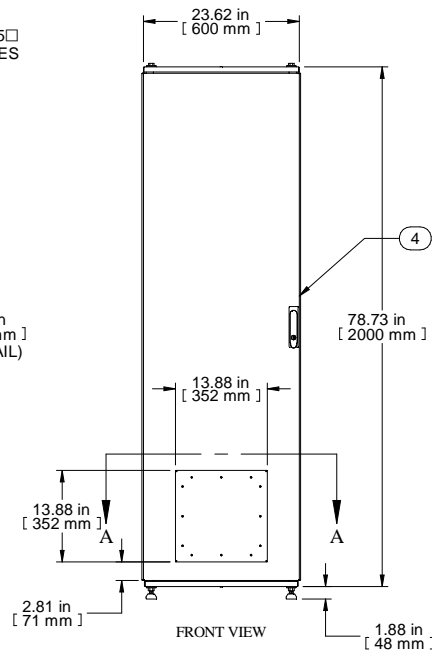
ISOMETRIC VIEW



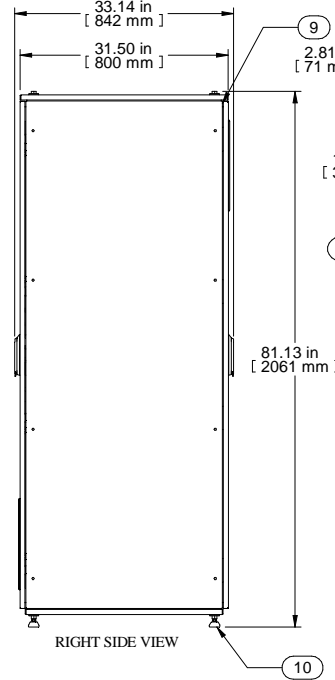
ISOMETRIC VIEW
DOORS AND SIDE
PANELS REMOVED



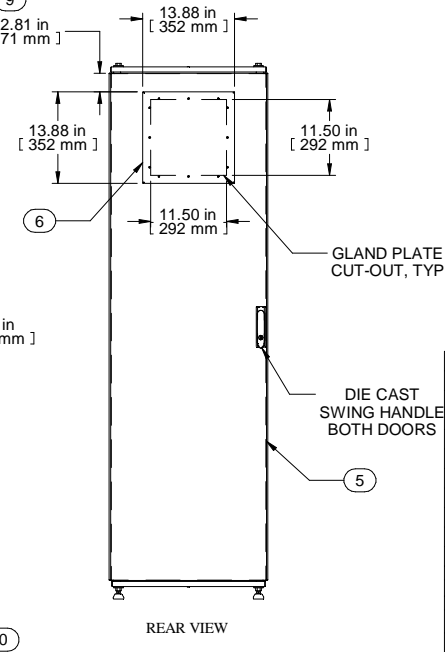
FRONT VIEW
DOORS REMOVED



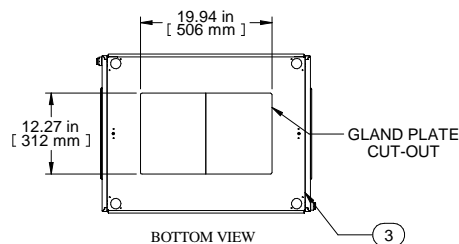
FRONT VIEW



RIGHT SIDE VIEW



REAR VIEW



BOTTOM VIEW

Item Number	Title	Quantity
1	HME - 2000 X 600 X 800 FRAME WELDMENT	1
2	HME TOP PANEL ASSEMBLY	1
3	HME BOTTOM PANEL ASSEMBLY	1
4	HDME - SOLID DOOR ASS'Y W/CUT-OUT	1
5	HDME - SOLID DOOR ASS'Y W/CUT-OUT	1
6	GLAND PLATE 13.88 x 13.88	2
7	DEPTH GRID STRAPS (PAIR)	3
8	19" PANEL RAILS 42U, SQ. HOLE (PAIR)	2
9	HME-SIDE PANEL (PAIR)	1
10	HME - LEVELLING FEET (SET)	1

PART NUMBERS

HDME2068	PAINTED BLACK TEXTURED
----------	------------------------

NOTES

See Hammond Website for Additional Accessories

Français

Pour tous les détails sur nos produits,
s'vz veuillez consulter notre site www.hammondmfg.com
Data subject to change without notice. Isometric drawing not to scale.
Les données sont sujettes à changement sans préavis.

**HAMMOND
MANUFACTURING**
www.hammondmfg.com

PART NO. HDME2068