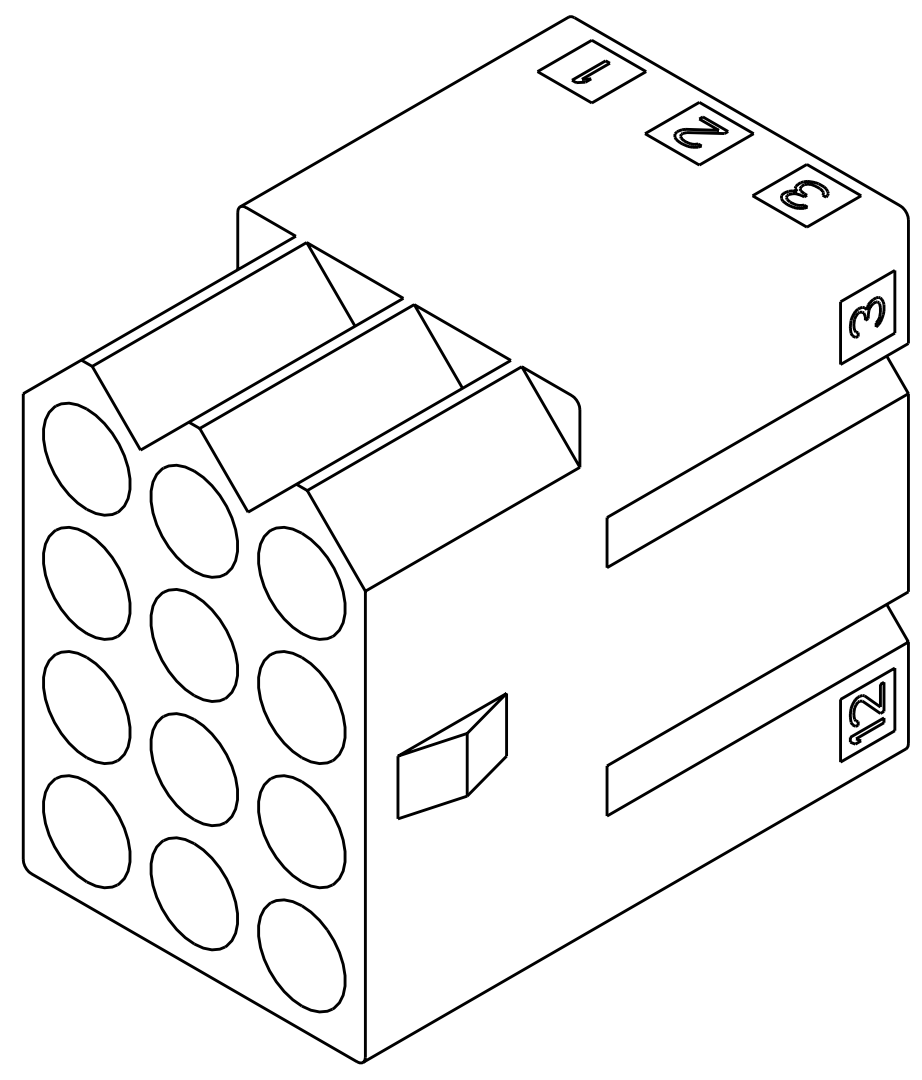
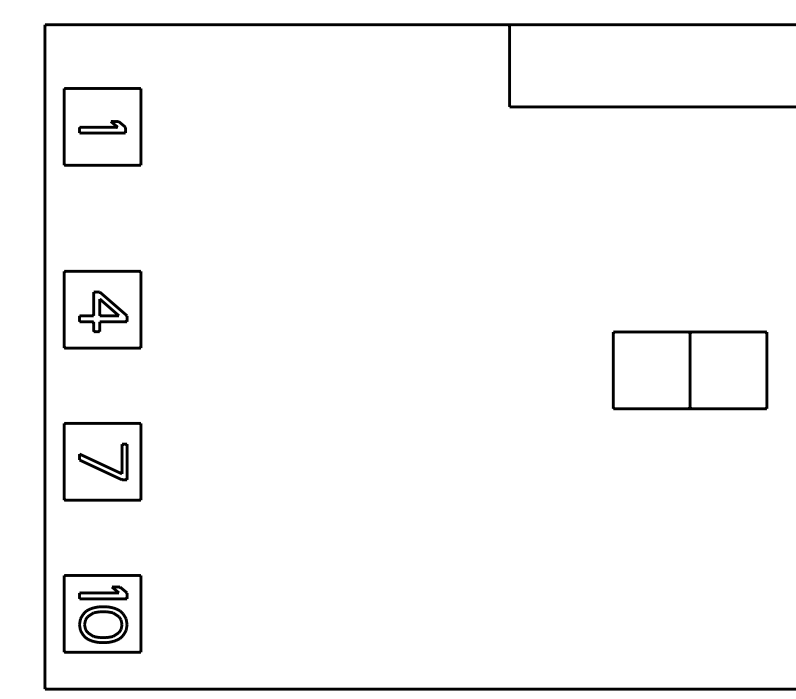
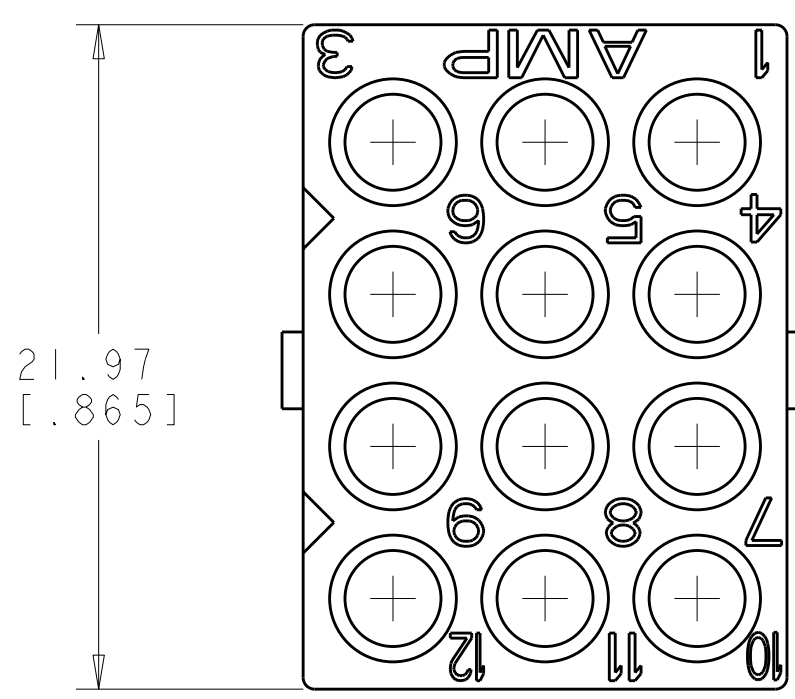
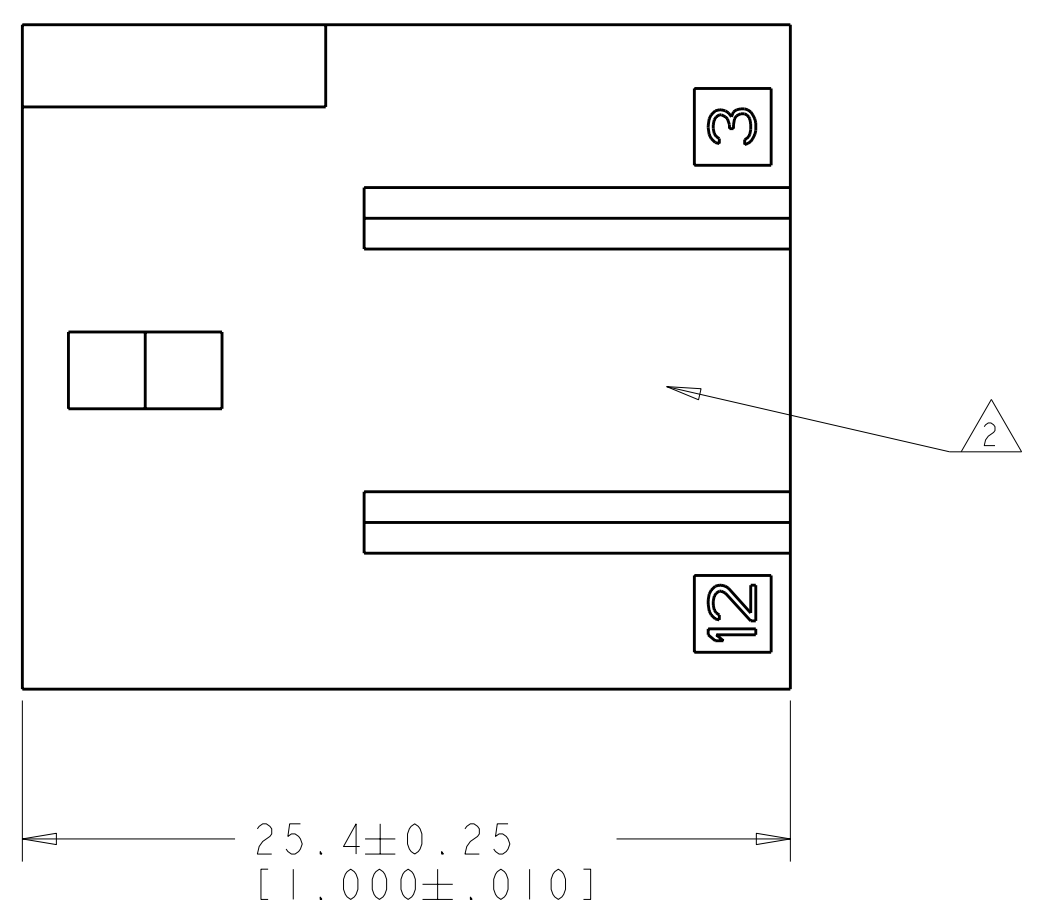
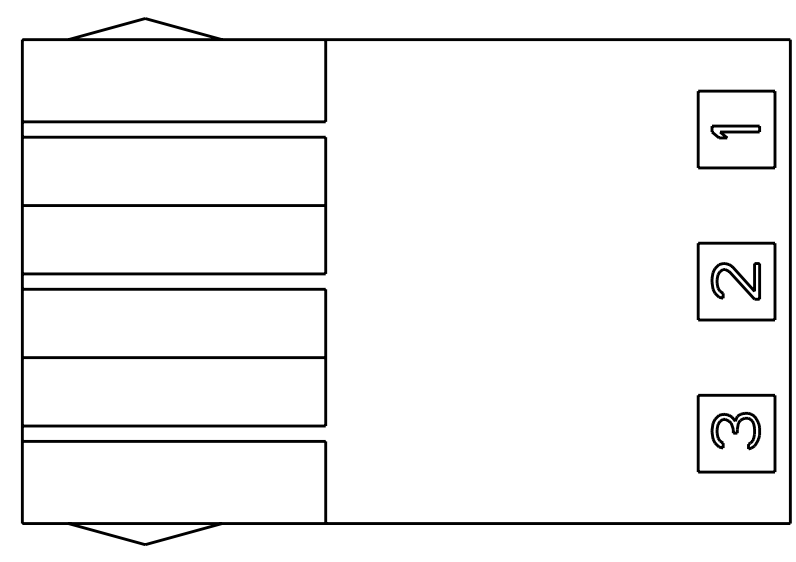
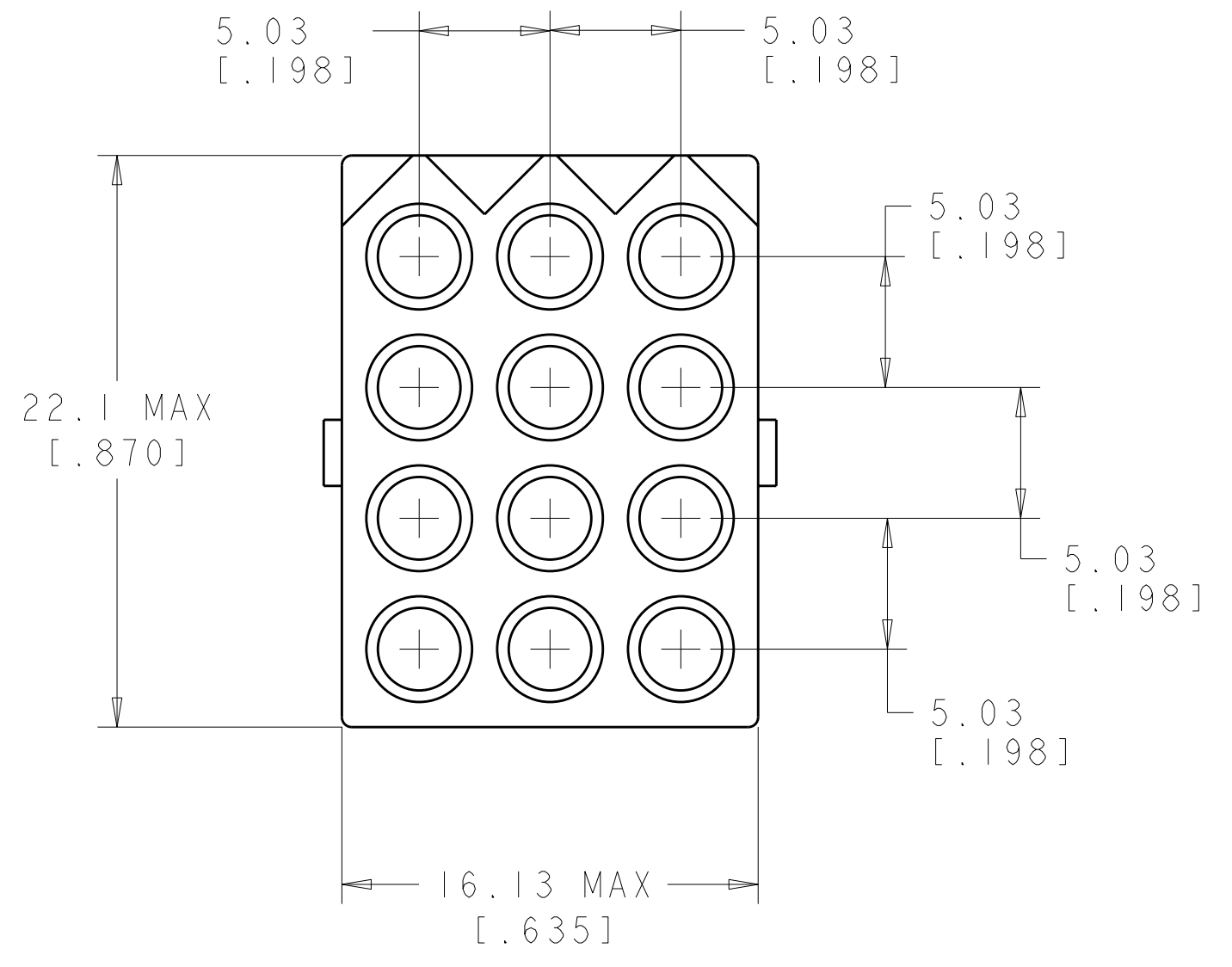


LOC	DIST	REV	DATE	BY	APPD
CM	00	E	ECO-07-020239	28AUG2007	KW CC

△ MATERIAL: NYLON UL94V-2 (NATURAL).
 △ MARKING FOR UL LOGO AND CSA LOGO LOCATED APPROXIMATELY AS SHOWN.



0.294 IN ³	770098-1
VOLUME	PART NUMBER

DIMENSIONS: mm [INCHES] TOLERANCES UNLESS OTHERWISE SPECIFIED: 9 PLC ± 1 PLC ± 2 PLC ±0.13(.005) 3 PLC ± 4 PLC ± ANGLES ± FINISH ±		DWN R. WHITAKER 28AUG2007 CHK C. CASH 28AUG2007 APVD C. CASH 28AUG2007 PRODUCT SPEC APPLICATION SPEC WEIGHT CUSTOMER DRAWING	Tyco Electronics Harrisburg, PA 17105-3608 NAME RECEPTACLE, 12 CIRCUIT, .093 COMMERCIAL PIN AND SOCKET SIZE CAGE CODE DRAWING NO A100779C-770098 RESTRICTED TO
--	--	--	--

METRIC