

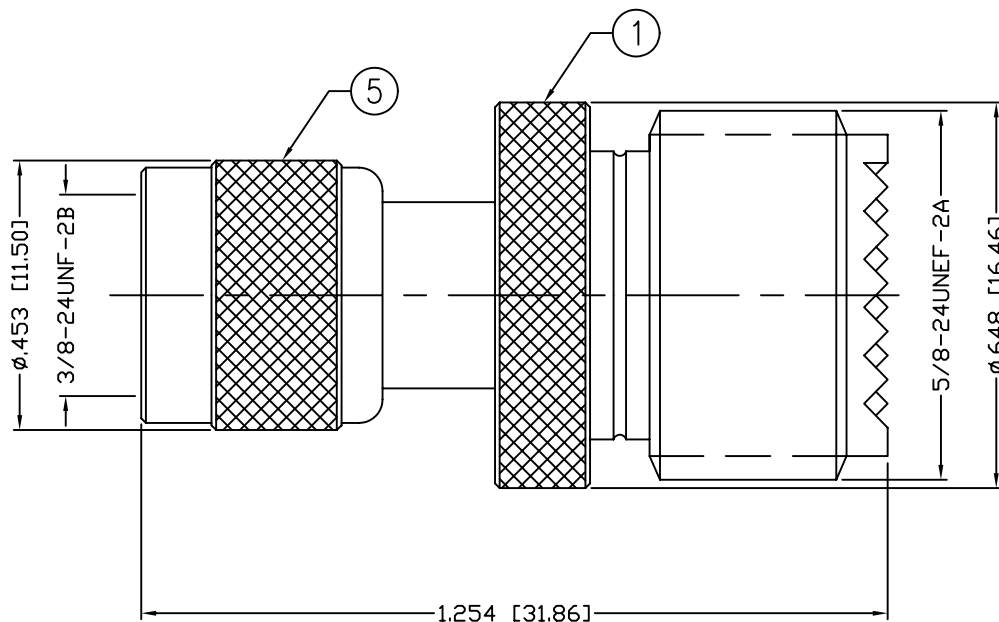
THIS DRAWING CONTAINS INFORMATION PROPRIETARY TO RF INDUSTRIES,
 ANY UNAUTHORIZED USE OF THIS DRAWING IS EXPRESSLY PROHIBITED
 WITHOUT WRITTEN PERMISSION FROM RF INDUSTRIES.
 ANY VIOLATION IS PUNISHABLE UNDER U.S. COPYRIGHT LAWS.

ALL DIMENSIONS ARE REFERENCE ONLY

PART NO.

RFU-621

| REV | DESCRIPTION | DWN | DATE | APPROVED |
|-----|----------------------------------------------|-----|----------|----------|
| E | REVERSE ORDER OF PIN DIMENSIONS | KMM | 3/17/95 | R. RICE |
| F | NO CHG \ BODY & SHELL NOW IN SEPARATE VIEWS | KMM | 1/21/98 | R. RICE |
| G | REMOVE P/N FROM CONN / UPDATE SPECS | CZS | 5/4/99 | R. RICE |
| H | CHANGE TO ONE BAND KNURL / UPDATE DWG FORMAT | CZS | 03/13/01 | JDMc |



SPECIFICATIONS:

IMPEDANCE: NON CONSTANT
 FREQUENCY RANGE: 0-300 MHz
 WORKING VOLTAGE: 335 V rms max. @ sea level

| 1 | BODY | 1 | BRASS | NICKEL, 80 μ" | 000486 | |
|----|-------------|-----|----------|---------------|-----------|----------|
| 2 | CONTACT | 1 | BRASS | GOLD, 3 μ" | | |
| 3 | INSULATOR | 1 | PTFE | --- | | |
| 4 | INSULATOR | 1 | PTFE | --- | | |
| 5 | SHELL | 1 | BRASS | NICKEL, 80 μ" | | |
| 6 | | | | | | |
| 7 | | | | | | |
| 8 | | | | | | |
| 9 | | | | | | |
| 10 | | | | | DRAWN | |
| 11 | | | | | C. ZUNIGA | 9/24/04 |
| 12 | | | | | CHECKED | |
| 13 | | | | | ORJ DRAWN | |
| 14 | | | | | C. ZUNIGA | 10/29/92 |
| # | DESCRIPTION | QTY | MATERIAL | FINISH | APPROVALS | DATE |

UNLESS OTHERWISE SPECIFIED:

DIMENSIONS ARE IN INCHES
 AND [MILLIMETERS]
 UNLESS OTHERWISE NOTED
 TOLERANCES ARE:

DECIMALS DIAMETER

RFconnectors
 DIVISION OF RF INDUSTRIES, LTD.

7610 MIRAMAR RD
 SAN DIEGO, CA 92126
 (858) 549-6340
 (858) 549-6345 FAX

**MINI HUF PLUG
 UHF JACK ADAPTER**

| | | | |
|--------|-------------|----------|---------|
| SIZE | CABLE GROUP | DWG NO. | REV |
| A | N/A | RFU-621 | H |
| SCALE: | NTS | CAD FILE | OUTLINE |
| | | SHEET | 1 OF 1 |