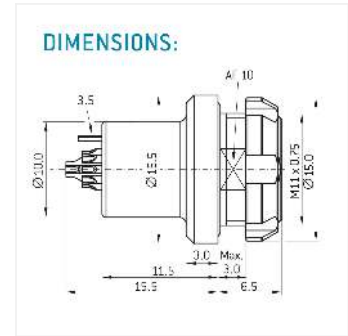
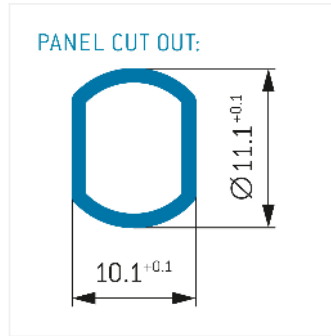
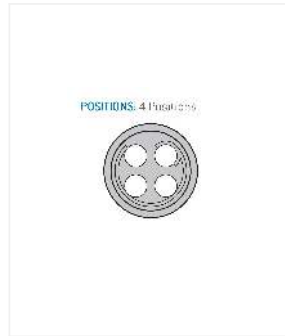
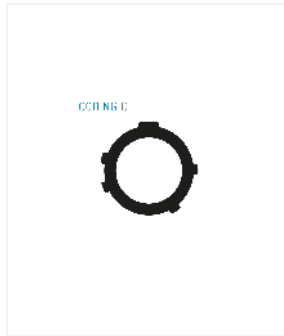


**General information**

Part number	G80YCR-P04WFG0-000L
Termination	solder
Size	0
Locking principle	break , push
Coding	c_key_amc
Cable Diameter	cable_amc_0



**Contact insert description**

Number of contacts	4
Contact type	sockets
Contact diameter	07mm
Insulator material	peek
Wire cross section	22_awg
Termination	solder
Termination diameter	085mm
Data transmission	usb_2

reverse\_gender\_on\_request

**Technical information**

Nominal current single contact	07_a	iec_60512_5_2
Nominal current insert	7_A	vde_0298_4
Test voltage	09_kv_ac	eia_364_20f

safety\_text

**Mechanical and environmental data**

Degree of protection*	ipsk8_ip6k9k
Operating temperature	51_125_c
Mating cycles	5000

mated

**Material and surface treatments**

Housing	ruthenium
Contact	cu_alloy_gold

data\_text

safety\_text\_2  
 data\_text  
 ul\_text  
 illustrative\_text