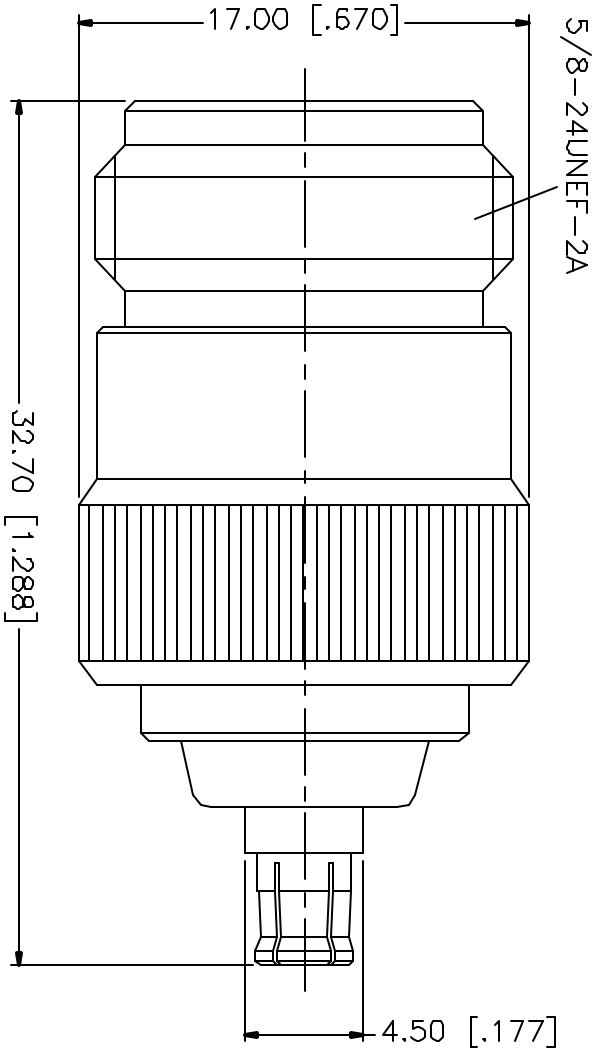



REV.	DATE	DESCRIPTION
NC	10/31/01	INITIAL RELEASE



DESCRIPTION	MATERIAL	FINISH	UNLESS OTHERWISE SPECIFIED DIMENSIONS ARE IN MILLIMETERS DIMENSIONS IN [] ARE IN INCHES FOR CUSTOMER REFERENCE ONLY	APPROVALS	DATE	TITLE	SIZE	FROM NO.	DWG. NO.	REV.
1 BODY	BRASS	NICKEL		DRAWN	10/31/01	 Connex Connector Corporation N JACK TO MCX PLUG ADAPTOR	A	99001	242171.DWG	NC
2 INSULATOR	TEFLON	NATURAL		CHECKED			NA	242171		
3 CONTACT PIN	BER COPPER	GOLD		ISSUED						
4										
5										
6										
7										
8										

UNLESS OTHERWISE SPECIFIED DIMENSIONS ARE IN MILLIMETERS DIMENSIONS IN [] ARE IN INCHES FOR CUSTOMER REFERENCE ONLY

UNLESS OTHERWISE SPECIFIED TOLERANCES FOR MILLIMETERS ARE:

0.5-6 = ± 0.2
 6-30 = ± 0.4
 30-120 = ± 0.6
 120-315 = ± 1
 315-1000 = ± 1.6
 1000-2000 = ± 2.4

DO NOT SCALE DRAWING

SCALE NA PART NO. 242171 SHEET 1 OF 1