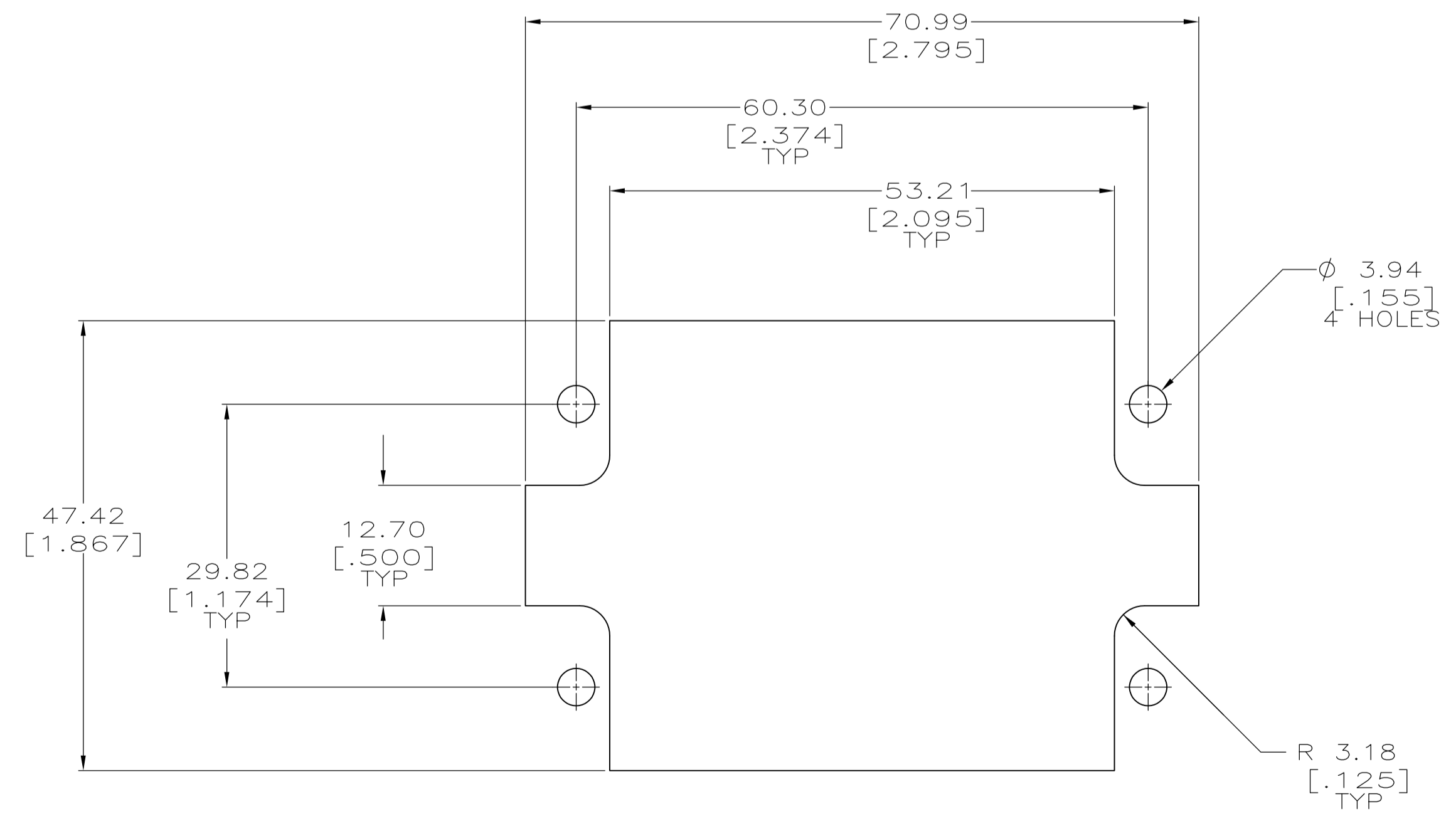
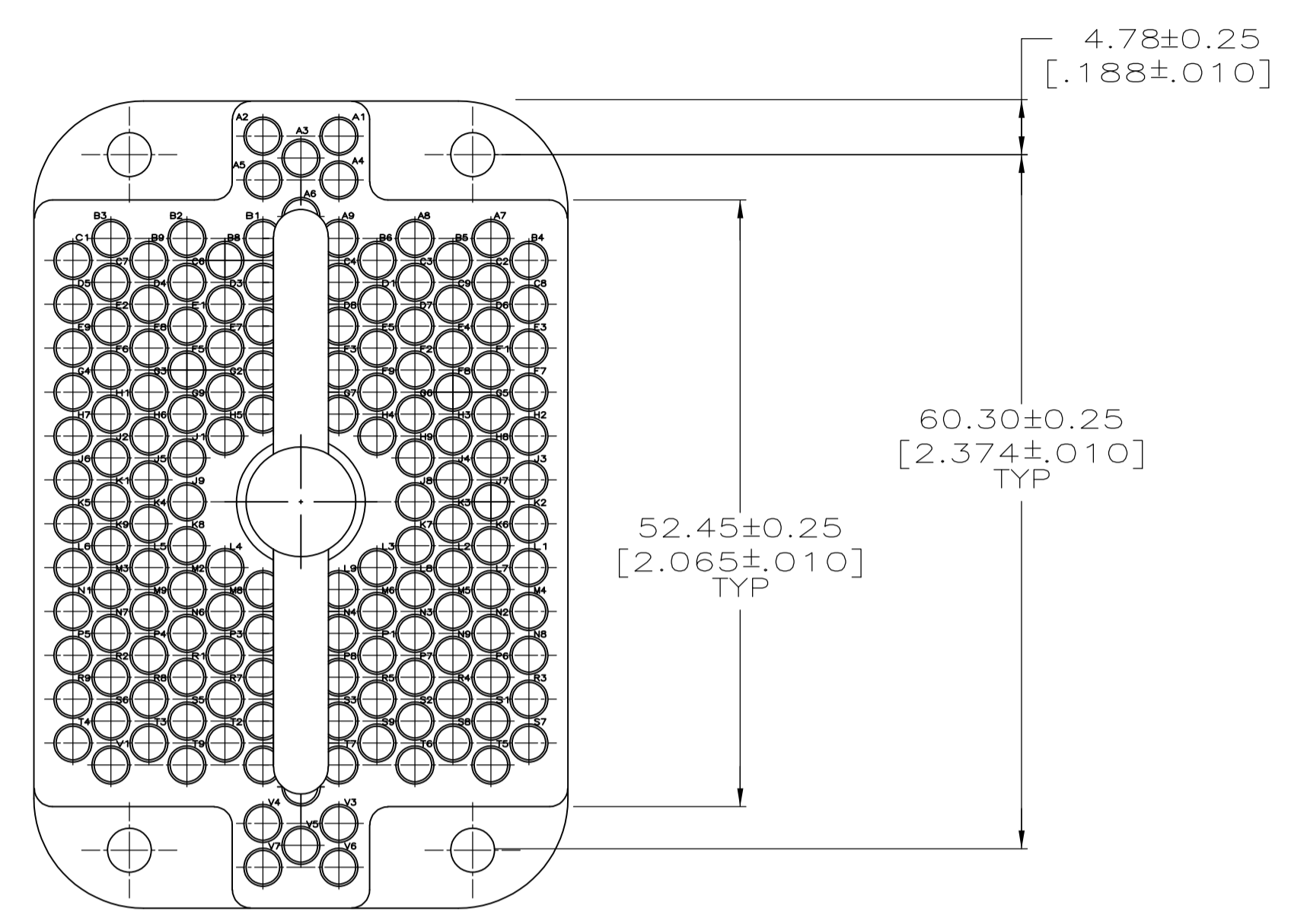
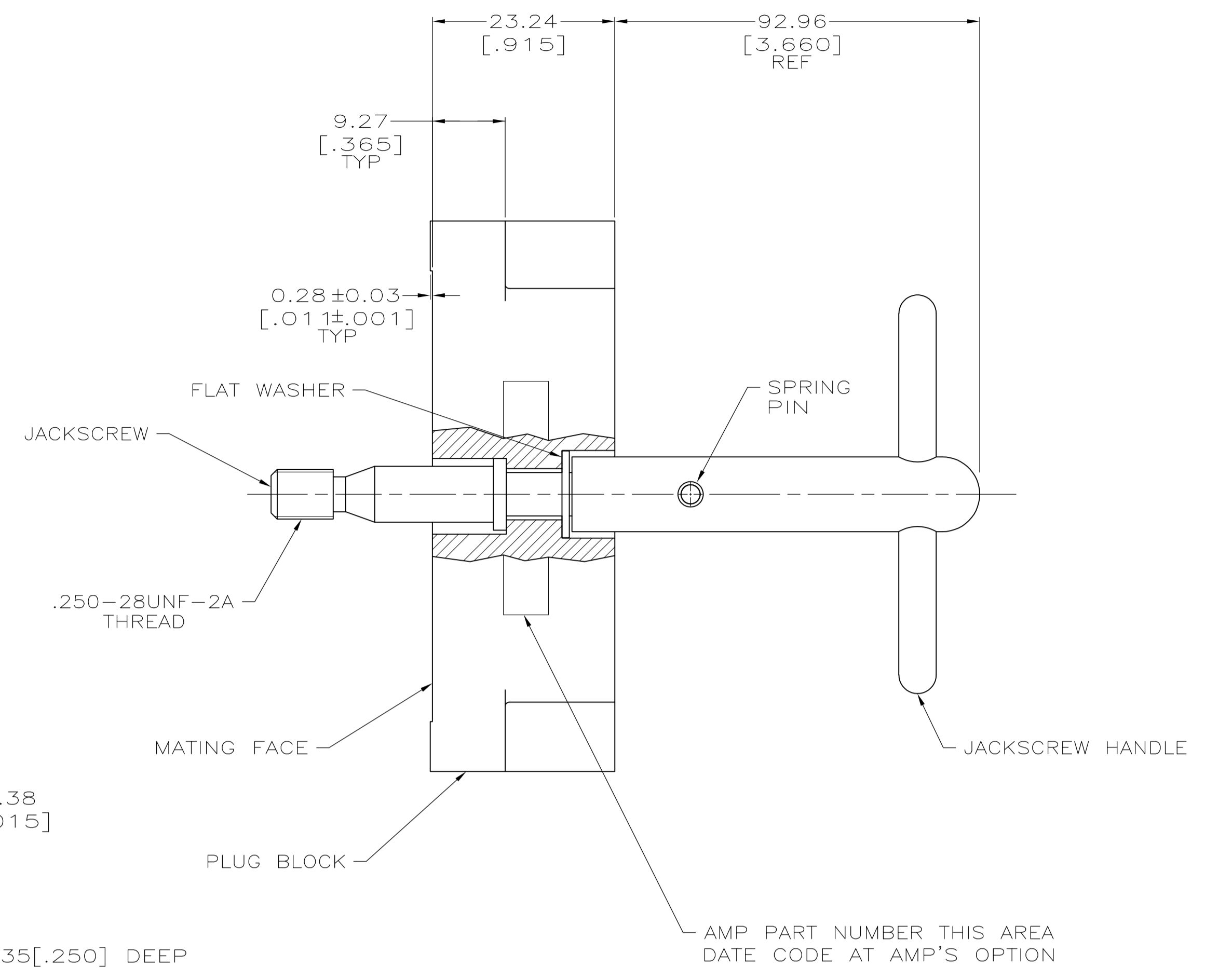
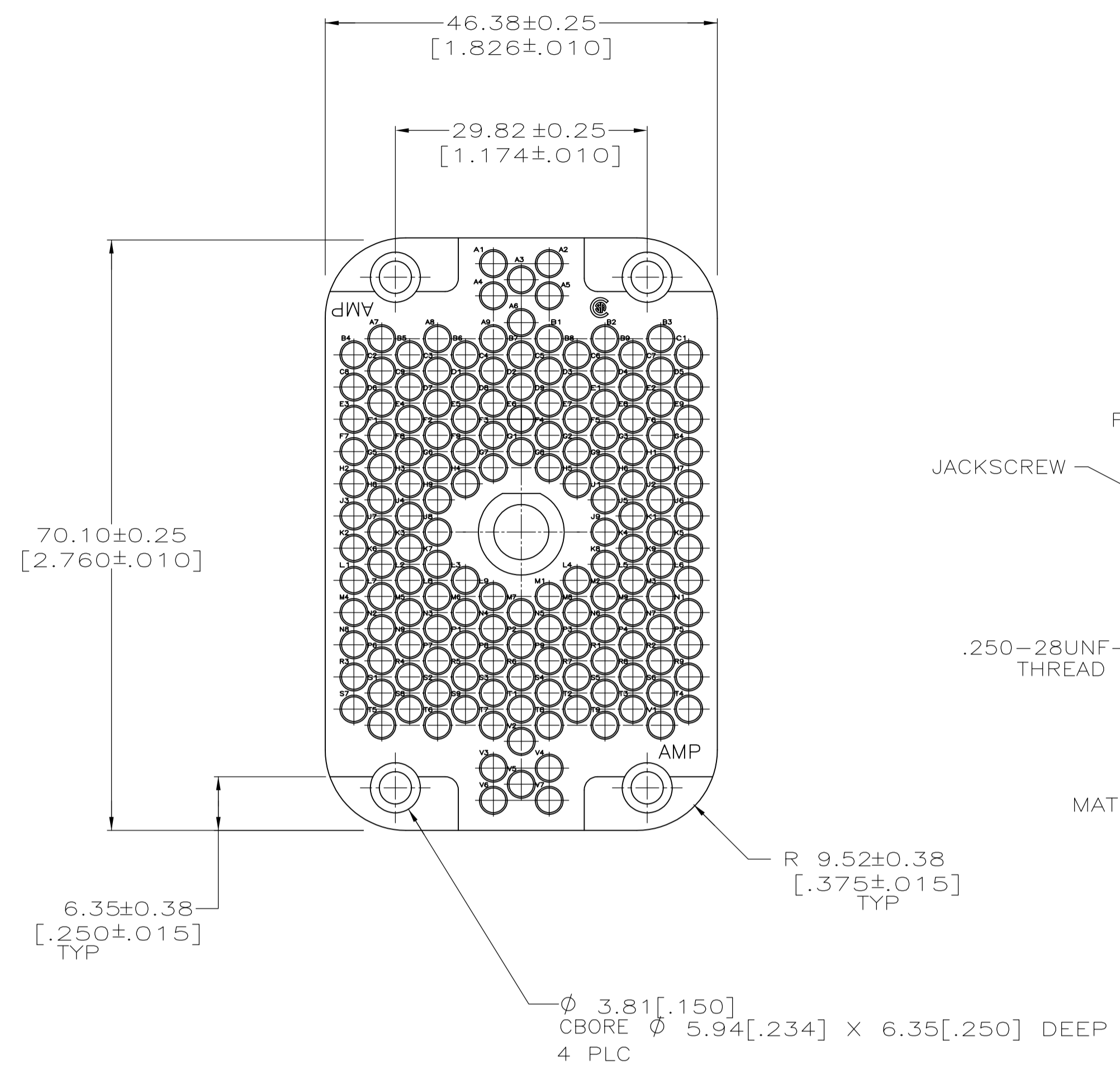


REVISIONS					
P	LTR	DESCRIPTION	DATE	DWN	APVD
A		REVISED PER ECO-16-004000	29SEP2016	NK	MZ



- THIS ASSEMBLY MATES WITH 796089-1.
- JACKSCREW, JACKSCREW HANDLE AND FLAT WASHER: STAINLESS STEEL. RECEPTACLE BLOCK; DIALYL PHTHALATE, BLUE. SPRING PIN: CARBON STEEL.
- FINISH: ZINC PLATE WITH HEXAVALENT CHROMATE.
- FINISH: ZINC PLATE WITH NON-HEXAVALENT CHROMATE.

OBSOLETE	△	-796092-2
	△	796092-1
SPRING PIN FINISH		PART NUMBER

THIS DRAWING IS A CONTROLLED DOCUMENT.

DIMENSIONS: mm [INCHES]	TOLERANCES UNLESS OTHERWISE SPECIFIED:	DIN C. DORWART 06 MAY 98	APVD G. STEINHAUER 07 MAY 98
0 PLC ± -	1 PLC ± -	2 PLC ± 0.13 [.005]	3 PLC ± -
4 PLC ± -	ANGLES ± -		

MATERIAL: FINISH: -

STE TE Connectivity

PLUG BLOCK ASSEMBLY, 160 POSITION, WITH CENTER FASTENER, M SERIES

SIZE: A1 CAGE CODE: 00779 DRAWING NO: 796092

CUSTOMER DRAWING SCALE: 2:1 SHEET: 1 OF 1 REV: A