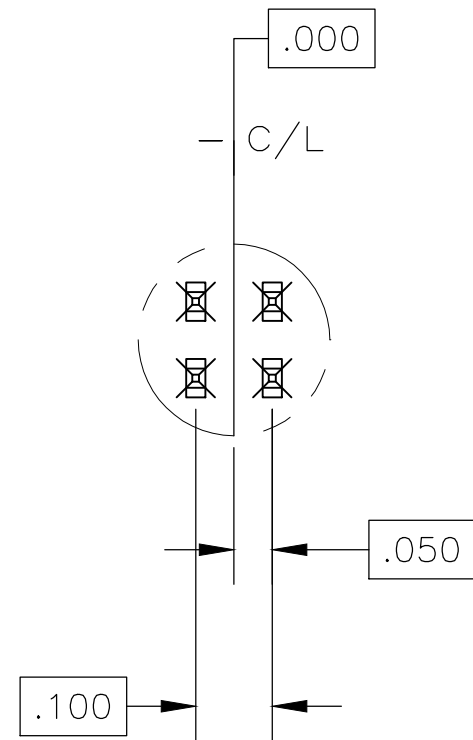
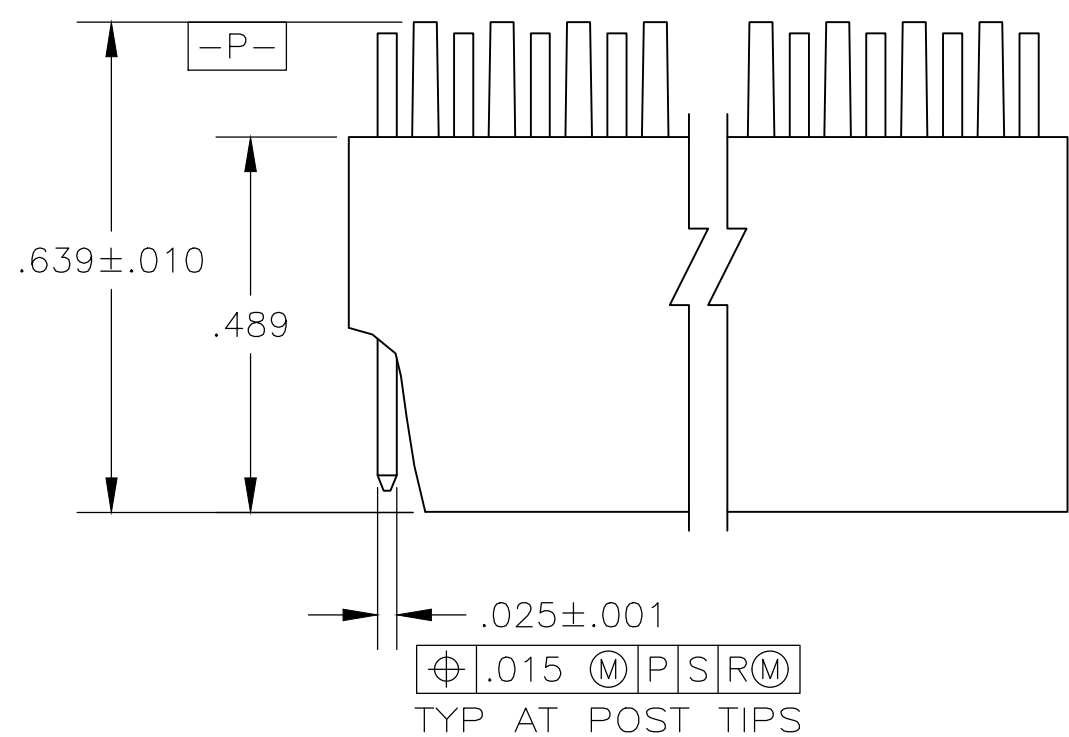


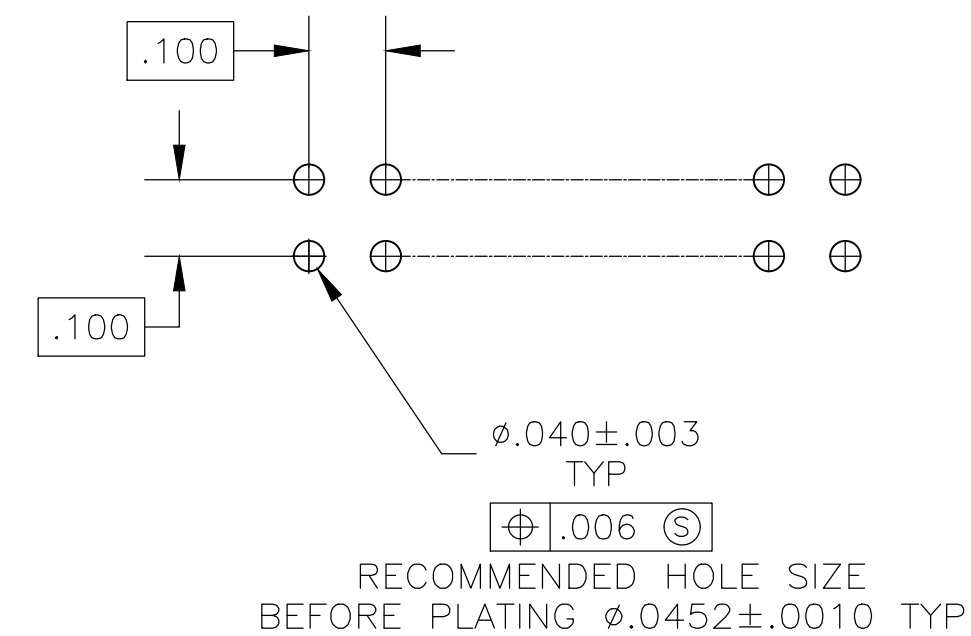
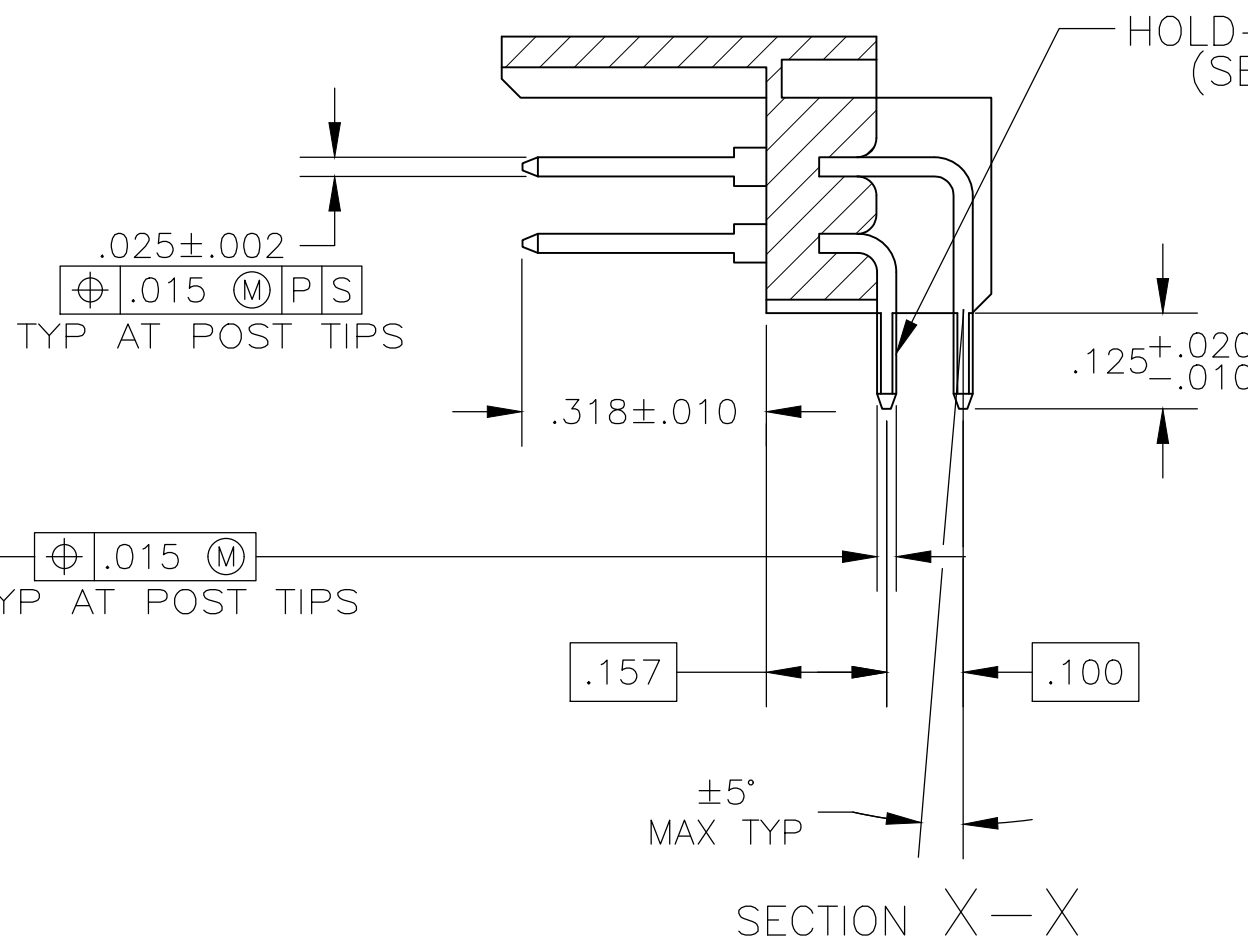
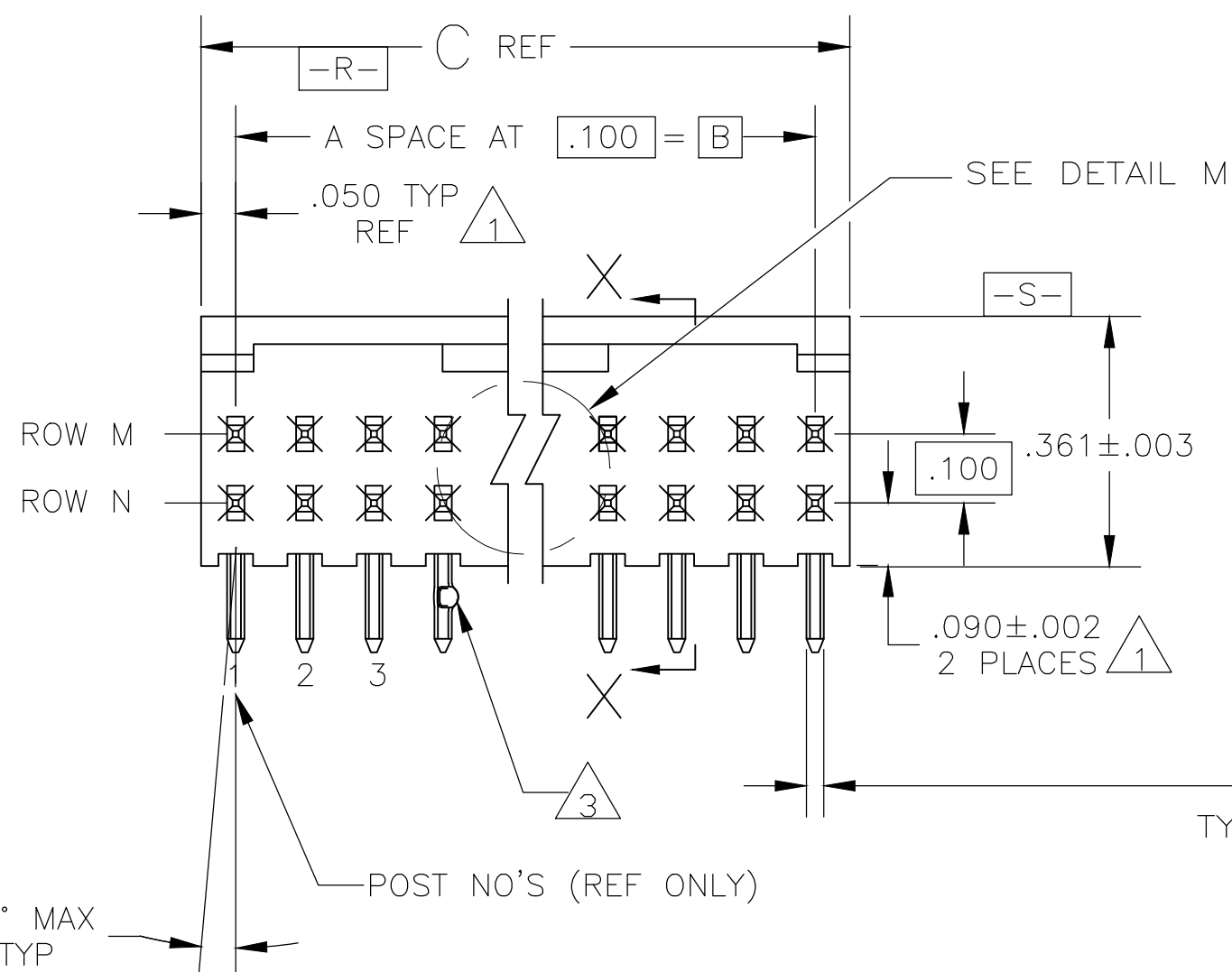
THIS DRAWING IS UNPUBLISHED. RELEASED FOR PUBLICATION
 © COPYRIGHT - TE Connectivity Ltd. ALL RIGHTS RESERVED.

REVISIONS					
P	LTR	DESCRIPTION	DATE	DWN	APVD
H1		PART STATUS UPDATED IN PART LIST TABLE	16FEB2018	SD	PS

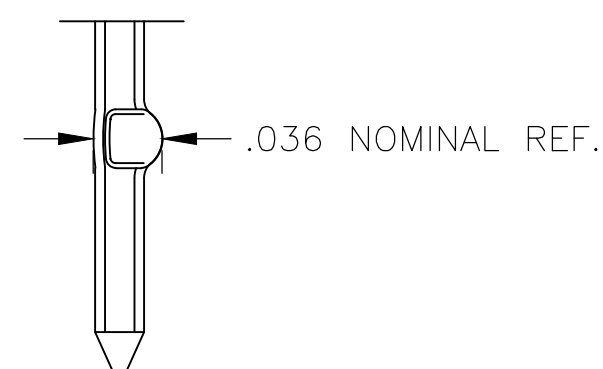


DETAIL M
 BASIC DIMENSION FOR
 ODD NUMBER OF SPACES.

- 1 THE NOTED DIMENSION APPLIES AT THE INTERSECTION OF THE POST AND HOUSING
- 3 SELECTIVE POSTS ARE FORMED TO PROVIDE CONNECTOR RETENTION TO PC BOARD UNTIL SOLDERED. RETENTION FEATURE IS FOR .055 MINIMUM PC BOARD THICKNESS. SEE DETAIL Z FOR FORM AND TABLE FOR LOCATIONS.
- 4 FINISH: POSTS: .000100-.000200 BRIGHT TIN-LEAD OVER .000050 NICKEL ON ENTIRE POST.
- 5 FINISH: POSTS: .000100-.000200 MATTE TIN OVER .000050 NICKEL ON ENTIRE POST.
- 6 OBSOLETE



RECOMMENDED HOLE LAYOUT



DETAIL Z
 POST DETAIL TYP
 2 POST MINIMUM
 SCALE 10:1

5	2,3,6,7	-	.795	.700	7	16	5-104421-1
4	2,3,6,7	-	.795	.700	7	16	-104421-1
PLATING	ROW N	ROW M	C	B	A	NO OF POS	ASSEMBLY PART NUMBER
	HOLD-DOWN POST CONFIG LOCATIONS						

THIS DRAWING IS A CONTROLLED DOCUMENT.		DWN	7-6-88				
		CHK	10-6-88				
DIMENSIONS: INCHES		TOLERANCES UNLESS OTHERWISE SPECIFIED:		NAME			
		0 PLC ± - 1 PLC ± - 2 PLC ± - 3 PLC ± .005 4 PLC ± - ANGLES ± -		SCOTT A. SHUEY			
MATERIAL: HOUSING: FLAME RETARDANT THERMOPLASTIC COLOR - BLACK		FINISH: SEE TABLE		R. FEIDI			
				APVD			
				R. FEIDI			
				10-6-88			
				NAME			
				HDR ASSY, MODU II, DR, .100 X .100 CL			
				RT ANGLE, (1) SIDED SHROUD W/ HOLD DOWN			
				APPLICATION SPEC			
				-			
				WEIGHT			
				-			
				SIZE			
				A2			
				CAGE CODE			
				00779			
				DRAWING NO			
				C=104421			
				RESTRICTED TO			
				-			
				CUSTOMER DRAWING			
				SCALE			
				4:1			
				SHEET			
				1 OF 1			
				REV			
				H1			