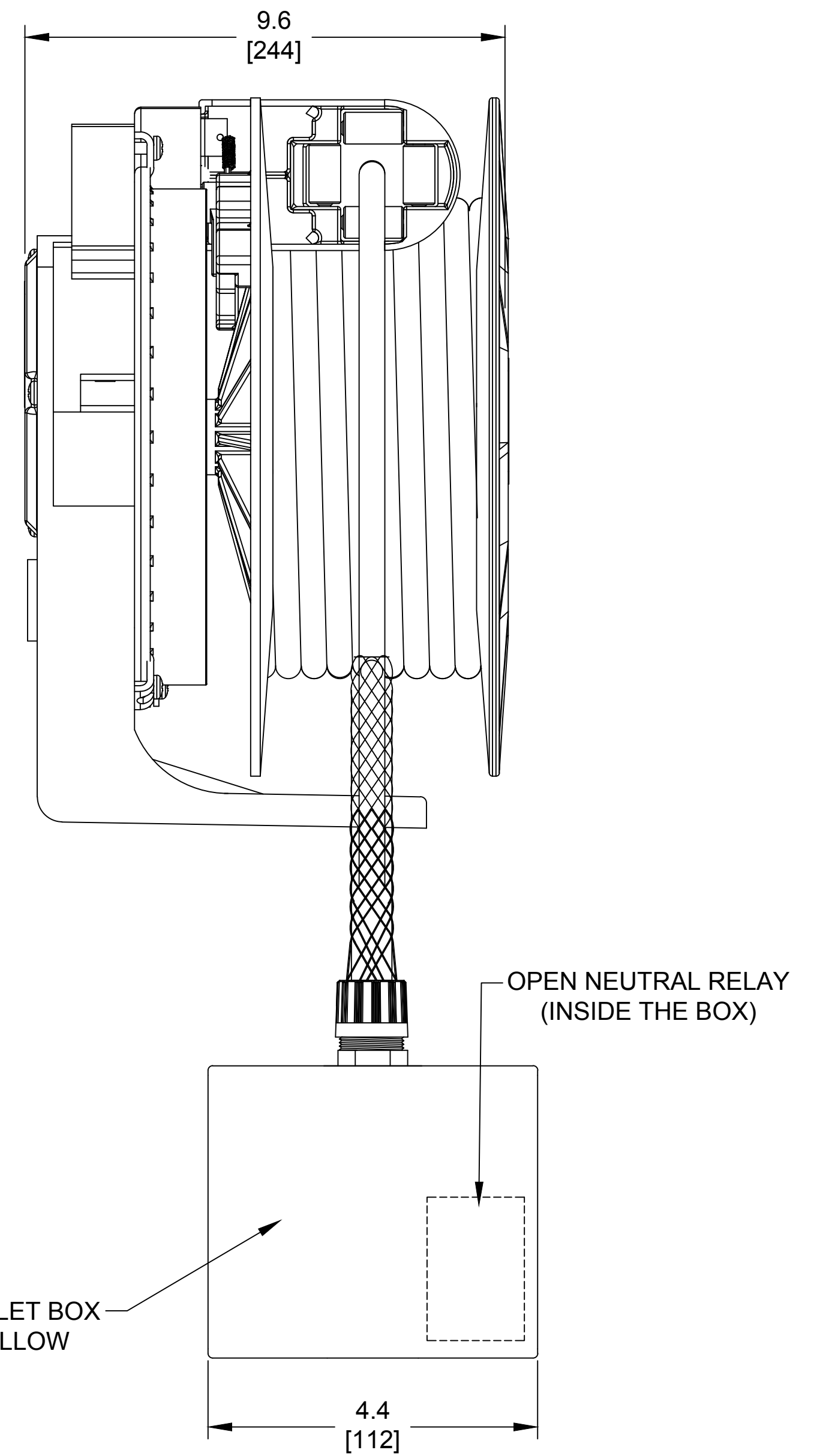
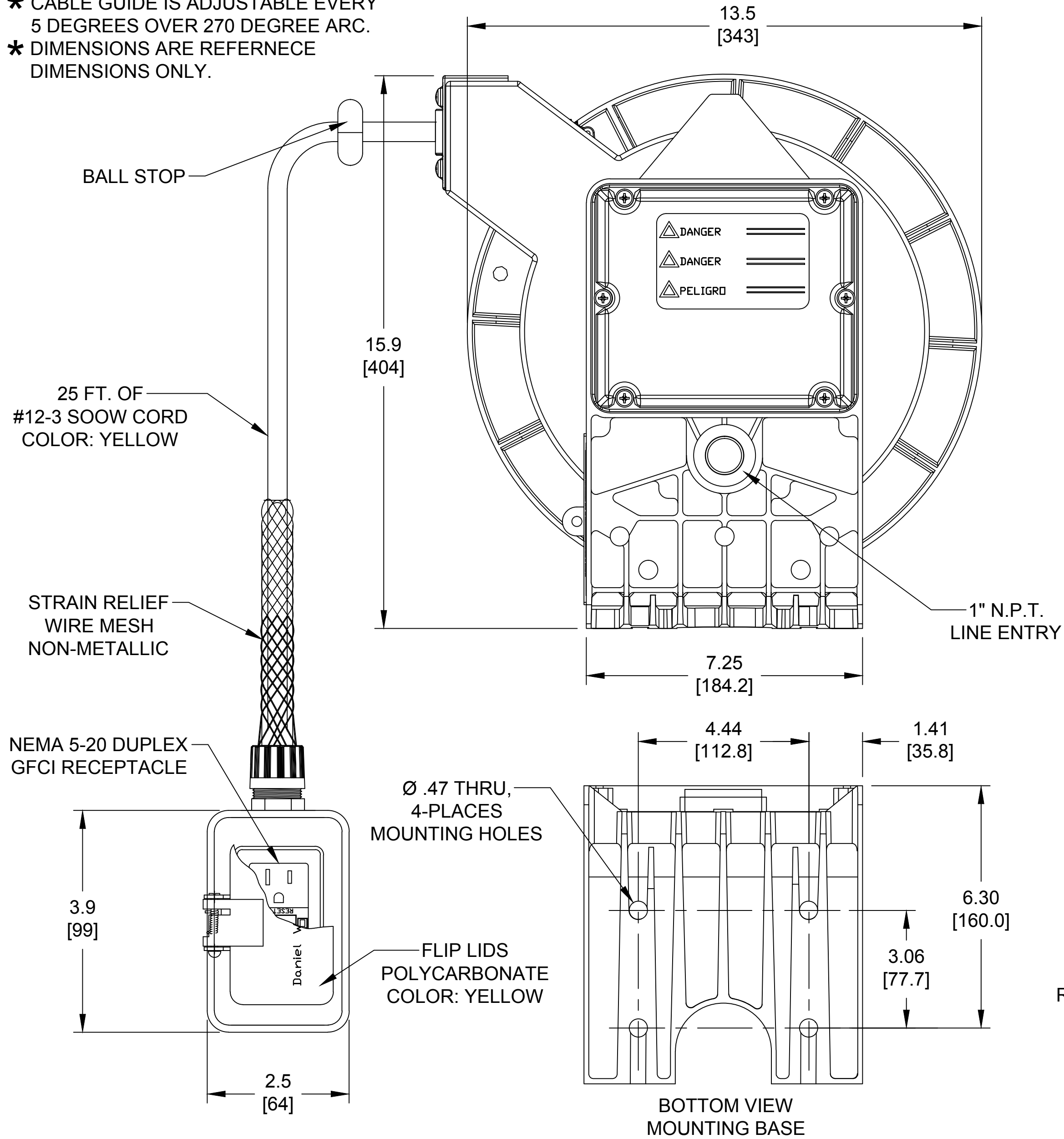


\* CABLE GUIDE IS ADJUSTABLE EVERY 5 DEGREES OVER 270 DEGREE ARC.  
 \* DIMENSIONS ARE REFERRECE DIMENSIONS ONLY.



NEMA 5-20 DUPLEX GFCI RECEPTACLE

25 FT. OF #12-3 SOOW CORD COLOR: YELLOW

STRAIN RELIEF WIRE MESH NON-METALLIC

Ø .47 THRU, 4-PLACES MOUNTING HOLES

FLIP LIDS POLYCARBONATE COLOR: YELLOW

BOTTOM VIEW MOUNTING BASE

RELEASE SALES DWG EC NO: IFC2016-1367 DRWN: HRUIZ01 2016/04/08 CH'KD: HKNEELAN 2016/04/08 APPR: JFMURPHY 2016/05/04	QUALITY SYMBOL	GENERAL TOLERANCES (UNLESS SPECIFIED)	DIMENSION STYLE INCH[MM]	SCALE NTS	DESIGN UNITS INCH	THIRD ANGLE PROJECTION
	▽=0	4 PLACES ±--- ±---	DRAWN BY DATE	TITLE	<b>9383 CABLE REEL</b> <b>25' #12-3 SOOW CABLE</b> <b>20A GFCI &amp; GRIP</b>	
	∇=0	3 PLACES ±--- ±.005	CHECKED BY DATE			
		2 PLACES ±.13 ±.010	APPROVED BY DATE	<b>MOLEX INCORPORATED</b>		SHEET NO. 1 OF 1
	1 PLACE ±.25 ±.010	MATERIAL NO.	DOCUMENT NO.			
		ANGULAR ±1/2°	THIS DRAWING CONTAINS INFORMATION THAT IS PROPRIETARY TO MOLEX INCORPORATED AND SHOULD NOT BE USED WITHOUT WRITTEN PERMISSION			
		DRAFT WHERE APPLICABLE MUST REMAIN WITHIN DIMENSIONS				