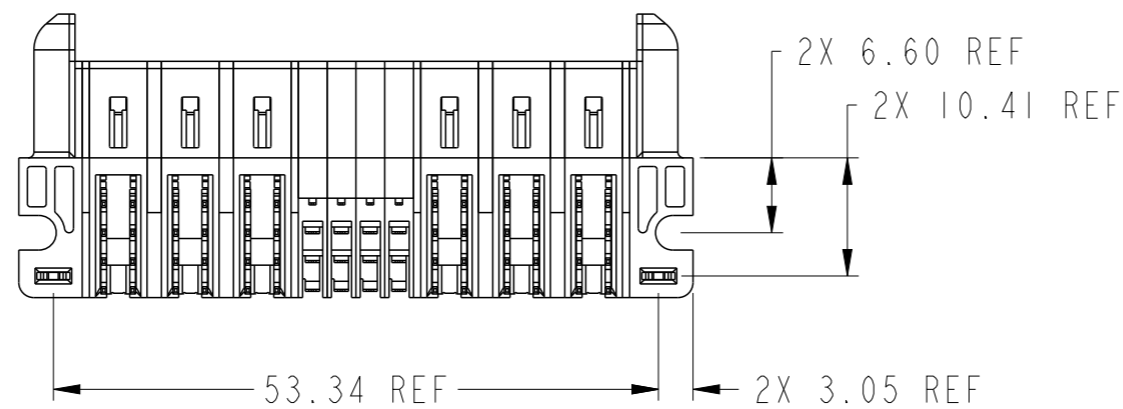
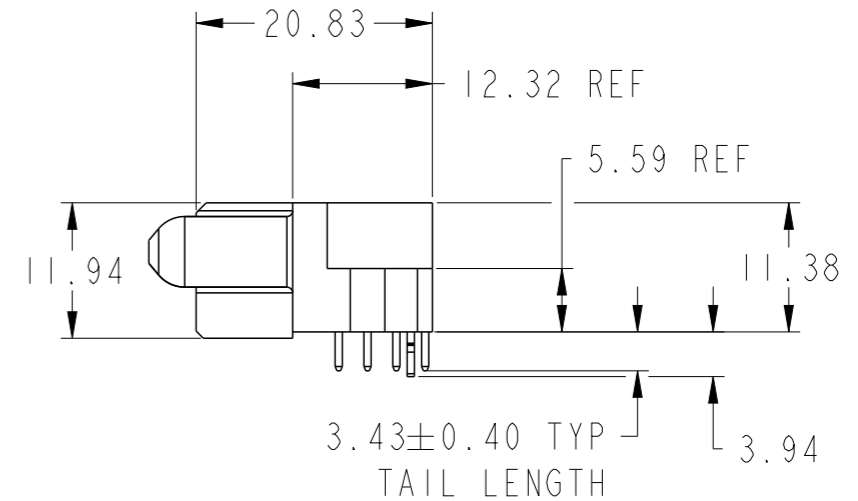
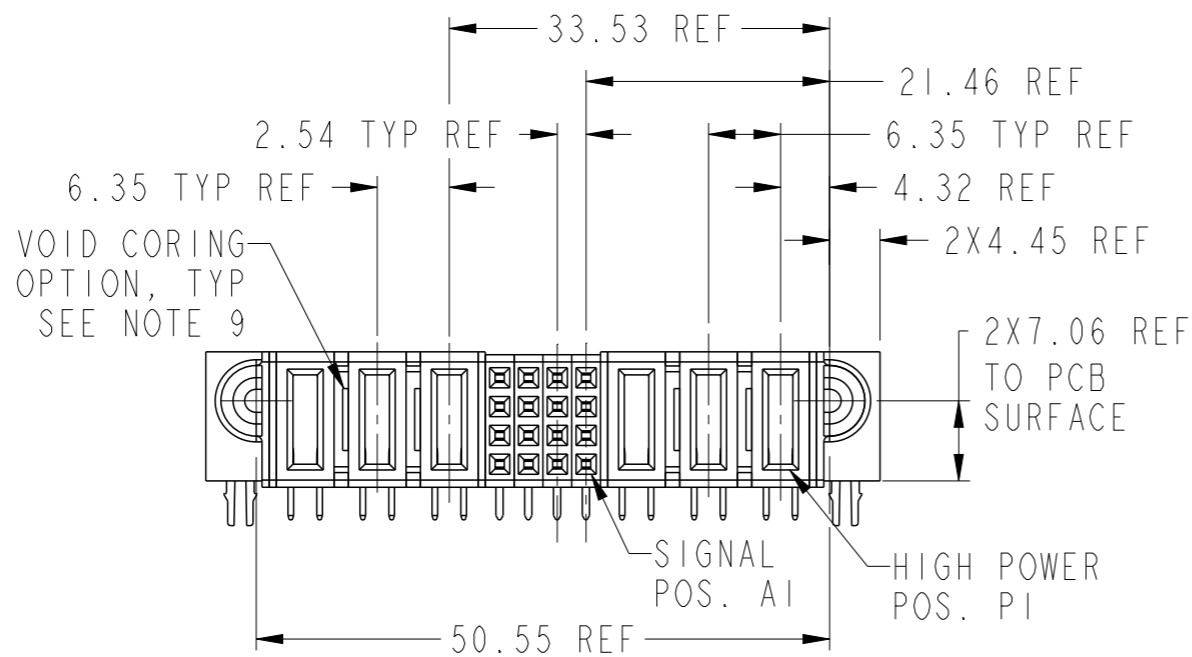
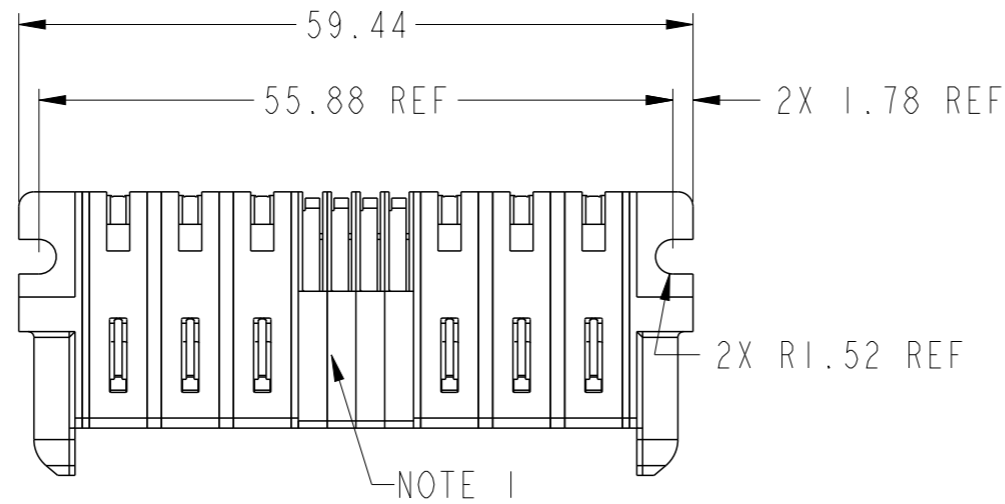


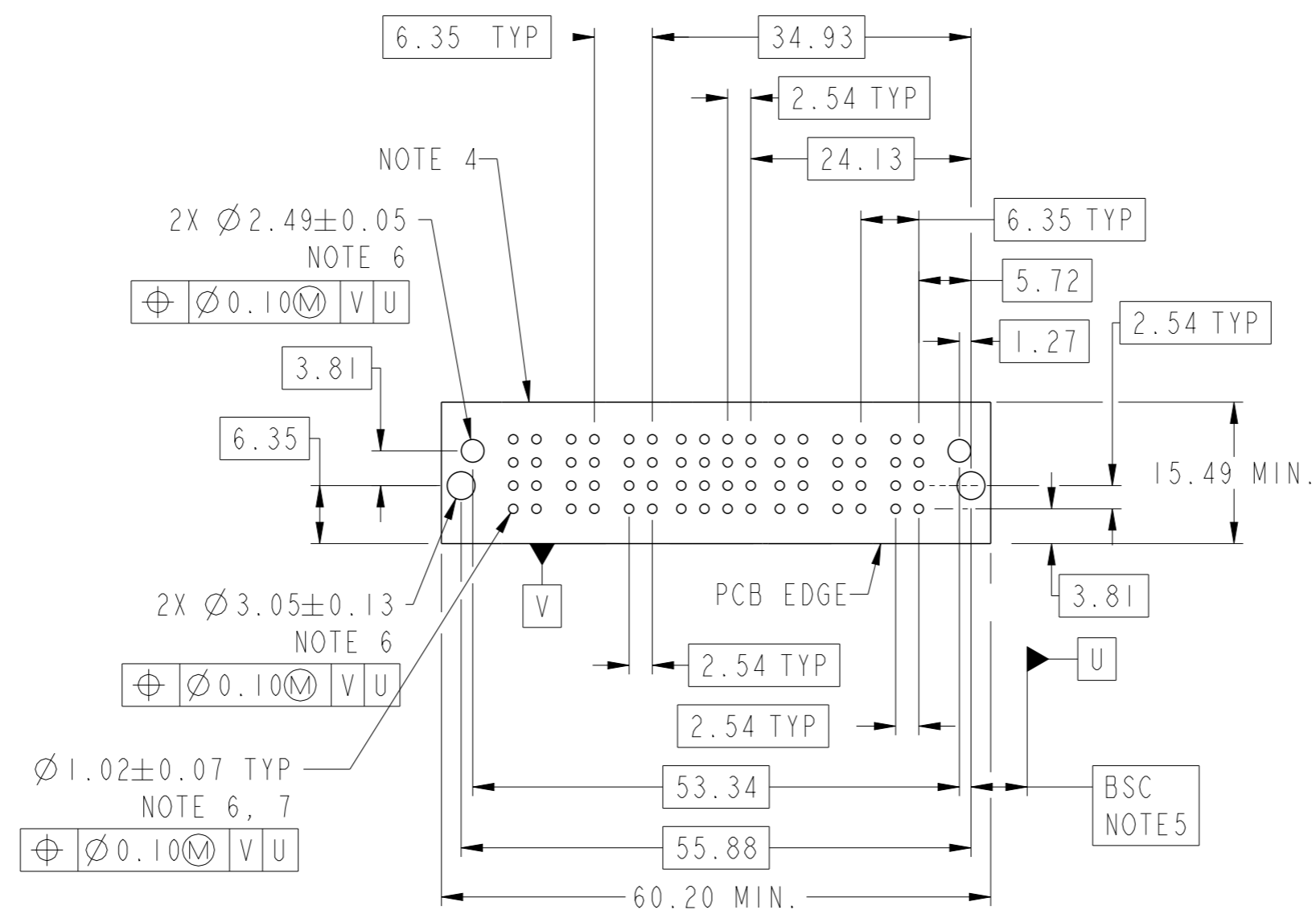
PRODUCT NUMBER SEE SHEET 2



spec ref	*	dr	Eddy Zeng	2013/12/16	projection	MM	size	A3	scale	3:2	
tolerance std	ASME Y14.5	eng	Eddy Zeng	2014/01/02			ecn no	-	rel level	Released	
TOLERANCES UNLESS OTHERWISE SPECIFIED		chr	Li-He	2014/01/02							product family
surface	<input checked="" type="checkbox"/> linear <input type="checkbox"/> angular	appr	Pei-Ming Zheng	2014/01/02			title 3HP + 16S + 3HP RA STB RECEPTACLE	dwg no 10106126-6004001	rev A	cat. no. Product - Customer Drw	sheet 1 of 3

PRODUCT NO.	ROWS	HIGH POWER			SIGNAL				HIGH POWER			E2	
		E1	P6	P5	P4	4	3	2	1	P3	P2		P1
10106126-6004001LF	D C B A		H3	H3	H3	H	H	H	H	H3	H3	H3	

CODE	DESCRIPTION
E	STD SIGNAL CONTACT, ROW A
F	STD SIGNAL CONTACT, ROW B
G	STD SIGNAL CONTACT, ROW C
H	STD SIGNAL CONTACT, ROW D
H3	STD HIGH POWER CONTACT(3.43)
HA	METAL HOLD DOWN

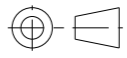
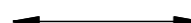



Copyright FCI.

dr	Eddy Zeng	2013/12/16	projection		size	A3	scale	3:2		
eng	Eddy Zeng	2014/01/02			ecn no	-				
chr	Li-He	2014/01/02			rel level	Released				
appr	Pei-Ming Zheng	2014/01/02	product family	PwrBlade+						
		title			3HP + 16S + 3HP		dwg no	10106126-6004001	rev	A
www.fci.com		cat. no.			Product - Customer Drw		sheet 2 of 3			

NOTES:

- 1) "FCI", PART NUMBER AND DATE CODE TO BE MARKED ON THIS SURFACE.
THE MARK CAN BE OMITTED IF THERE IS NOT ENOUGH SPACE ON THIS SURFACE.
- 2) MATERIALS:
-HOUSING - GLASS FILLED WITH HIGH TEMP THERMOPLASTIC, UL94V-0.
-SIGNAL CONTACT - COPPER ALLOY.
-POWER CONTACT - HIGH CONDUCTIVITY COPPER ALLOY.
- 3) PLATING SPECIFICATION REFER TO FCI 10116351
- 4) DENOTES CONNECTOR KEEP OUT ZONE.
- 5) DATUM AND BASIC DIMENIONS WERE ESTABLISHED BY CUSTOMER.
- 6) ALL HOLE DIAMETERS ARE FINISHED HOLE SIZES.
- 7) 1.15 ± 0.025 MM DRILLED HOLE PLATED WITH 0.00762MM MIN Sn
OVER 0.0254-0.0762MM Cu PLATING TO ACHIEVE A 1.02 ± 0.07 MM HOLE.
- 8) PRODUCT SPECIFICATION REFER TO FCI GS-12-658.
APPLICATION SPECIFICATION REFER TO FCI GS-20-141.
PRODUCT PACKAGED IN TRAYS, REFER TO FCI GS-14-1502.
- 9) THE VOID CORING IN BETWEEN POWER MODULES, SIGNAL
MODULES AND END MODULES ARE OPTIONAL AND THE SHAPE
MAY BE DIFFERENT FOR OPTIMIZE THE MOLDING PROCESS. THE
VOID CORING WILL NOT EFFECT TO PRODUCT FUNCTION.

dr	Eddy Zeng	2013/12/16	projection 	MM 	size	A3	scale	3:2
eng	Eddy Zeng	2014/01/02			ecn no	-		
chr	Li-He	2014/01/02			rel level	Released		
appr	Pei-Ming Zheng	2014/01/02	product family	PwrBlade+				
		title 3HP + 16S + 3HP RA STB RECEPTACLE		dwg no 10106126-6004001	rev A			
www.fci.com		cat. no.	Product - Customer Drw		sheet 3 of 3			



Copyright FCI.