

H G F E D C B A

4

3

2

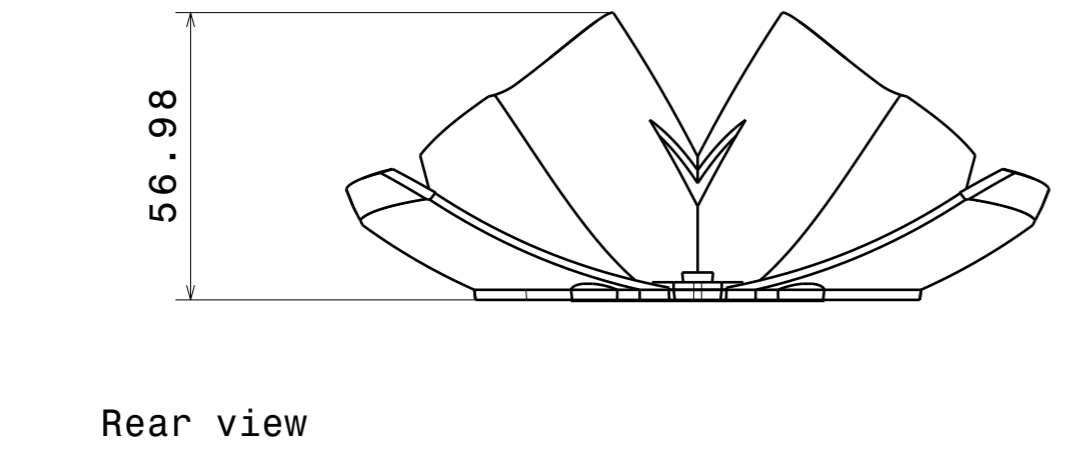
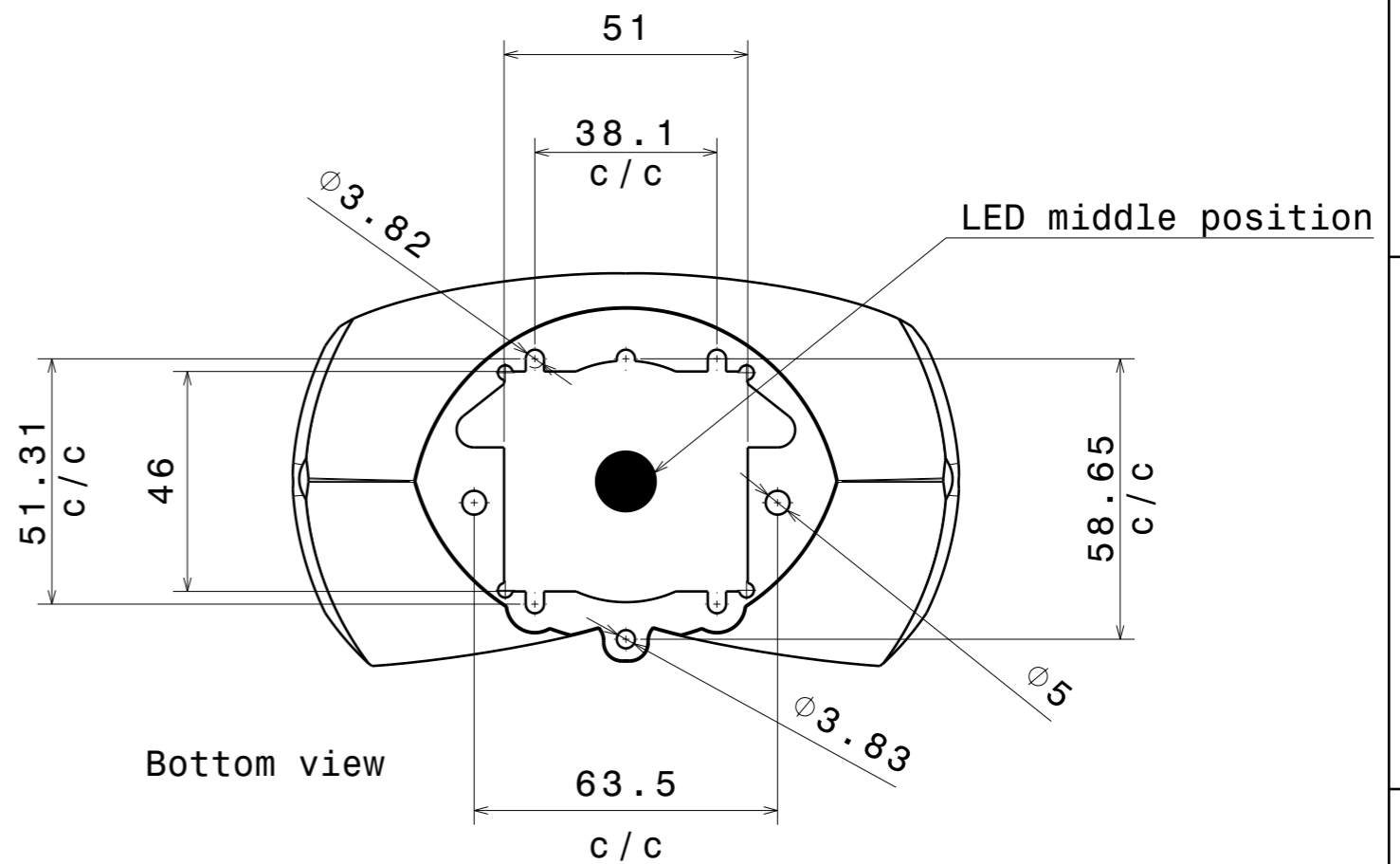
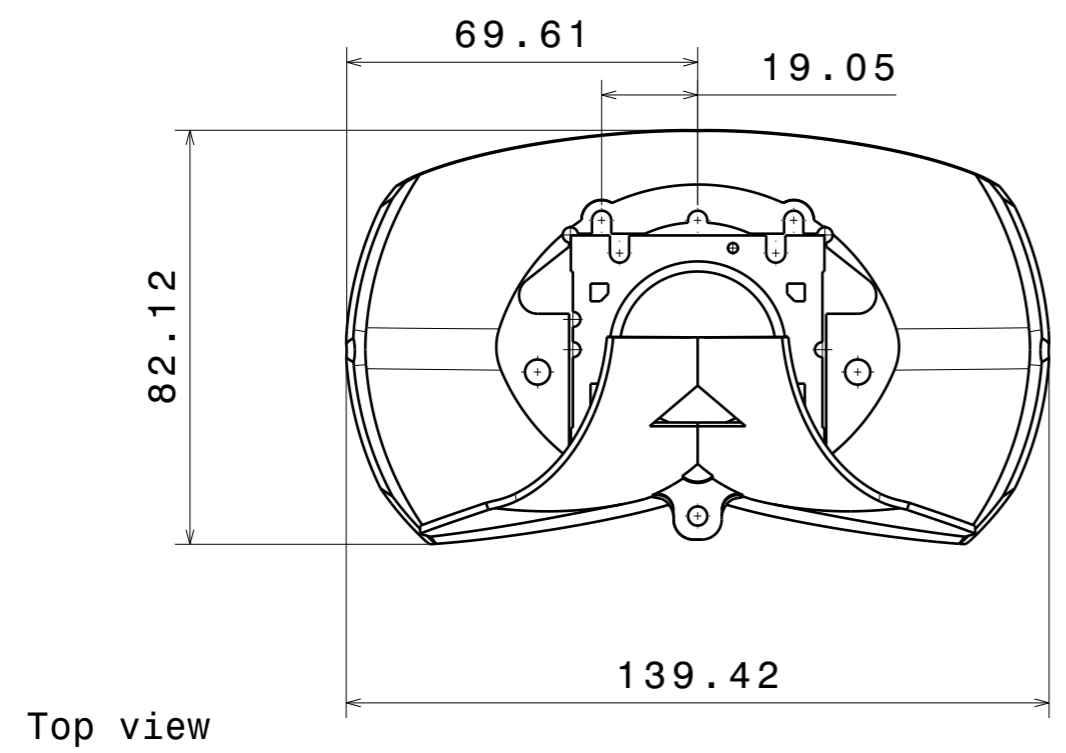
1

4

3

2

1



INDEX	PART NO	DESCRIPTION	MATERIAL	COLOUR
1	C13743	BERTHA1-TYPE2-S_BASE	PEI, SiO2	metal
2	C13744	BERTHA1-TYPE2-S_TOP	PEI, SiO2	metal

Tolerances if not otherwise shown  
 According to DIN ISO 2768-1  
 Linear measures:  
 up to 30mm class M, otherwise class C  
 According to DIN ISO 2768-2  
 Form and position: class L

**LEDiL** LediL Oy  
 Salorankatu 10  
 FIN 24240 SALO  
 Finland

THIRD ANGLE PROJECTION:

DRAWING TITLE  
**CN13377\_BERTHA1-TYPE2-S**

This drawing is the property  
 of LEDiL Oy. It may not be  
 reproduced, copied or  
 communicated without a written  
 agreement with LEDiL Oy.

SIZE	PART NUMBER
<b>A3</b>	<b>CN13377</b>

SCALE	1:1	WEIGHT	28,8 g	SHEET	1/1
-------	-----	--------	--------	-------	-----

H G B A