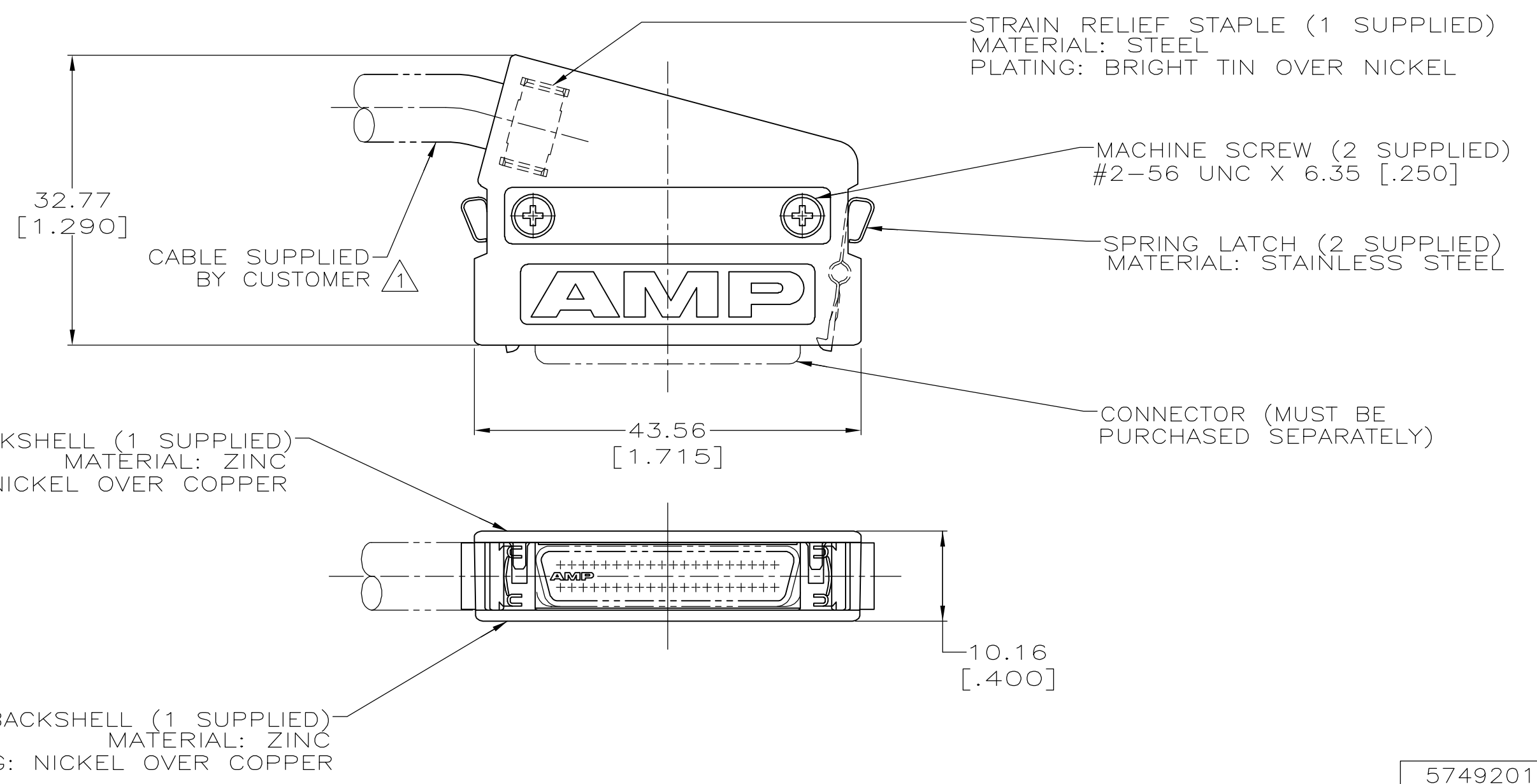


LOC	DIST	REVISIONS					
GP	00	P	LTR	DESCRIPTION	DATE	DWN	APVD
		0		RELEASED PER EC 0S13-0287-05	14FEB06	JG	SS



$\triangle 1$ 8.13 [.320] MAX CABLE DIA

5749201-1
 PART NUMBER

THIS DRAWING IS A CONTROLLED DOCUMENT.		DWN	J.GERACE	14FEB06		Tyco Electronics Corporation	
DIMENSIONS: mm[INCHES]		CHK	S.SHUEY	14FEB06		Harrisburg, PA 17105-3608	
		APVD	M.WALMSLEY	14FEB06		NAME	
TOLERANCES UNLESS OTHERWISE SPECIFIED:		PRODUCT SPEC		INDIVIDUAL KIT, UNASSEMBLED, 40 POS, 75 DEGREE EXIT, UNKEYED, AMPLIMITE .050 SERIES			
0 PLC ± - 1 PLC ± - 2 PLC ± - 3 PLC ± 0.38 [.015] 4 PLC ± - ANGLES ± -		APPLICATION SPEC		RESTRICTED TO			
MATERIAL		WEIGHT		A3 00779 C-5749201		-	
FINISH		CUSTOMER DRAWING		SCALE	2:1	SHEET	1 OF 1
						REV 0	