

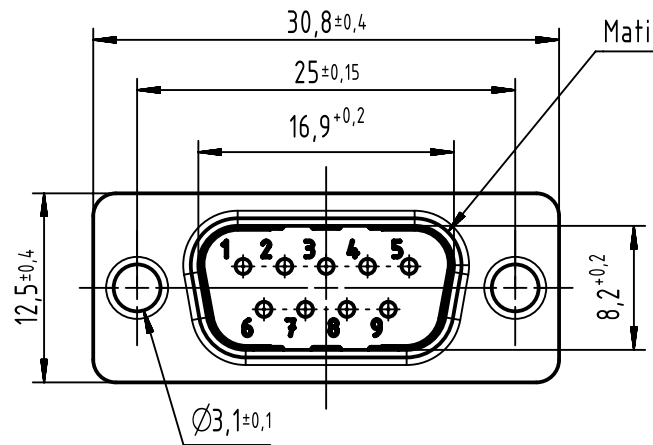
1 2 3 4 5 6

A

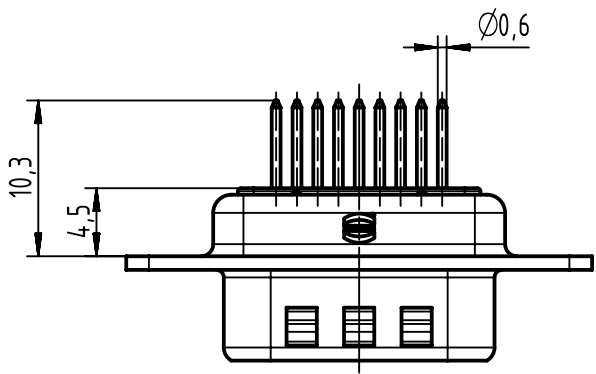
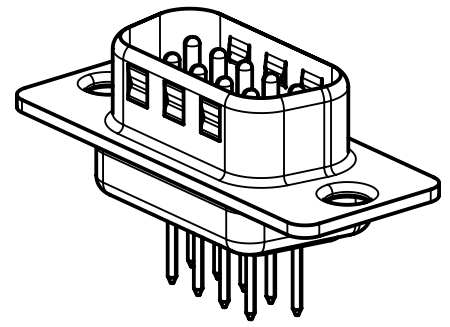
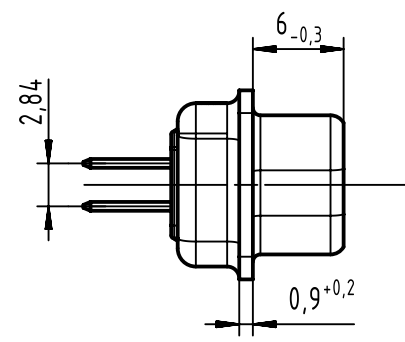
B

C

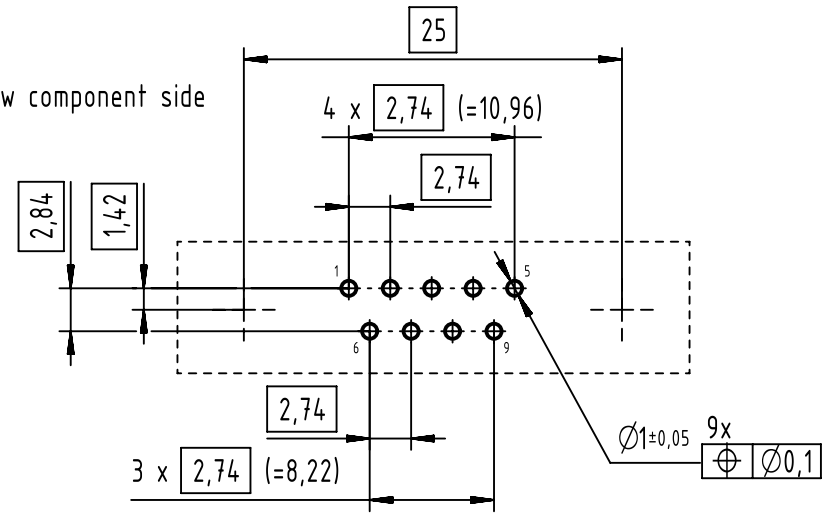
D



Mating face according to MIL-C-24308 / DIN 41652 / CECC 75301-802



PCB layout view component side



09 67 009 5655	PL2
09 67 009 5654	PL3
Part number	Performance level

	All Dimensions in mm Original Size DIN A4	Scale 2:1	Free size tol.		Ref.
	All rights reserved Department EL PD	Created by ZHUANGJ	Inspected by LUOK	Standardisation HOFFMANN	Sub.
HARTING Electronics GmbH D-32339 Espelkamp	Title D-Sub male 9-pole straight assembly		Date 2018-05-02	State Final Release	
	Type TB	Number 0967009565X	Doc-Key / ECM-Nr. 100578444/UGD/000/B 500000132564		Rev. B
					Page 1/1