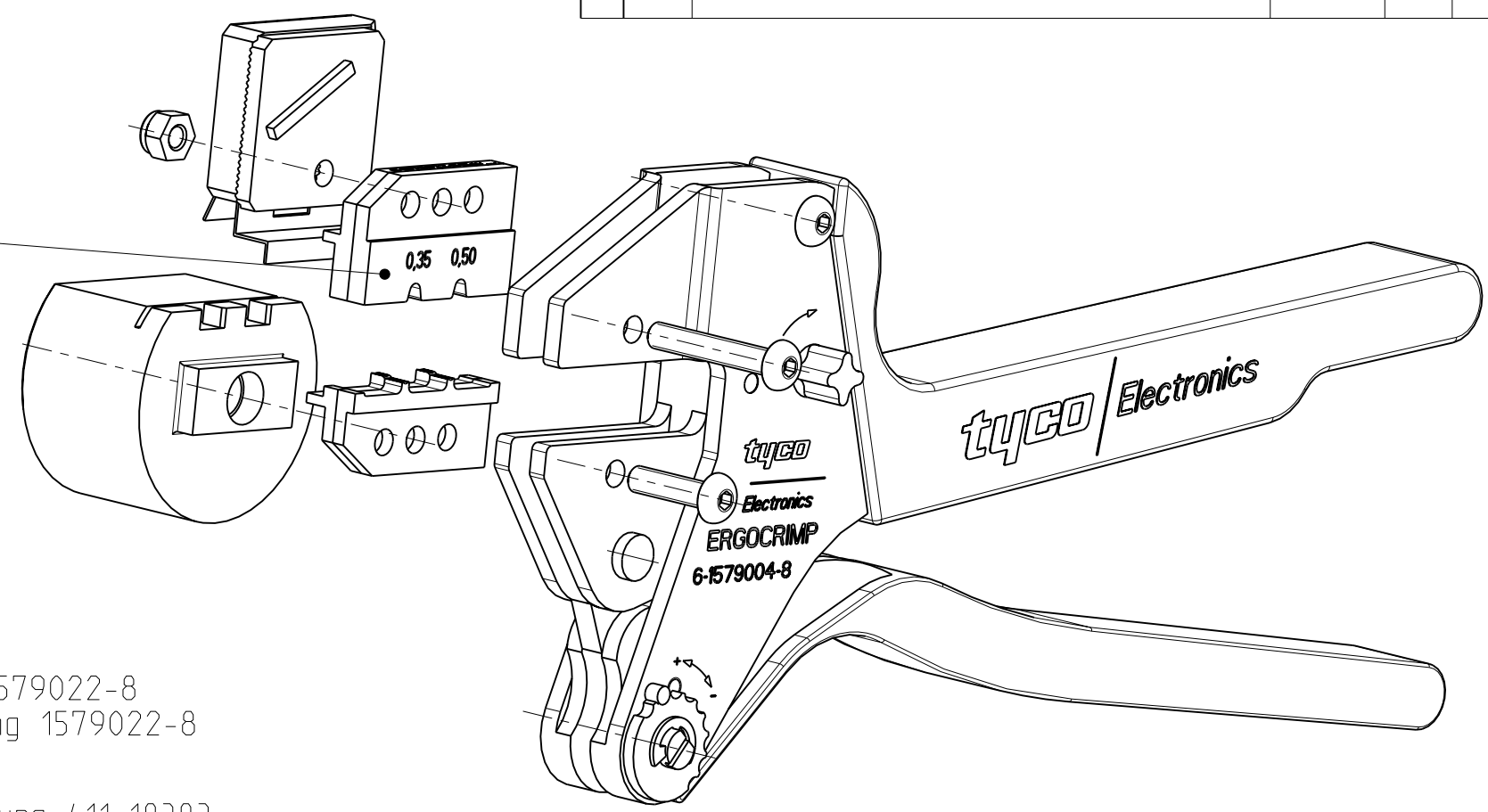


THIS DRAWING IS UNPUBLISHED. RELEASED FOR PUBLICATION 2007
 © COPYRIGHT 2007 BY TYCO ELECTRONICS CORPORATION. ALL RIGHTS RESERVED.

| LOC | DIST | REVISIONS | | | |
|-----|------|-------------|---------------|-----------|-------|
| P | LTR | DESCRIPTION | DATE | DWN | APVD |
| A1 | - | A1 | ECR-07-029259 | 11DEC2007 | KL. - |

ERGOCRIMP HAND TOOL FOR LOCKING TAB SOCKET 3.3 0,35-0,50 mm²

Ergocrimp Matrize als Ersatzteil erhaeltlich
 Tyco Electronics Nr.: 1579022-8
 Ergocrimp die set as spare part available
 Tyco Electronics No. 1579021-8



Einzelteile der Ergocrimp Matrize bestellbar. Siehe Zeichnung 1579022-8
 Spare parts of the Ergocrimp die set are available. See drawing 1579022-8

Handzange mit Matrize zusammengebaut und mit Bedienungsanleitung 411-18383
 im Karton verpackt
 Hand tool assembled with die set and packed with instruction sheet 411-18383
 in a cardboard

| Kontakt | DGB (mm ²) | Drahtcrimp / Wire Crimp | | Isolationscrimp/Insulationcrimp | | Isol.Ø | Betriebsanl. |
|---------|------------------------|-------------------------|-------------------|---------------------------------|-------------------|-----------|--------------|
| Contact | Wire Range | Hoehe/Height (mm) | Breite/Width (mm) | Hoehe/Height (mm) | Breite/Width (mm) | Ins.Range | Instr.Sheet |
| 963759 | 0.35 | 1.05 ±0.03 | 1.57 F | 1.75 ±0.10 | 2.29 0 | 1.20-1.40 | 411-18383 |
| | 0.50 | 1.12 ±0.03 | | 1.85 ±0.10 | | 1.40-1.60 | |
| | ----- | ----- | | ----- | | ----- | |

| | | | | | |
|---|--|--|--|---|--|
| <small>THIS DRAWING IS A CONTROLLED DOCUMENT FOR TYCO ELECTRONICS CORPORATION IT IS SUBJECT TO CHANGE AND THE CONTROLLING ENGINEERING ORGANIZATION SHOULD BE CONTACTED FOR THE LATEST REVISION.</small> | | DWN R.KLAW ONN 15MAR2007 CHK C.WITT 15MAR2007 | | tyco Electronics AMP GmbH 64625 Bensheim (Germany) | |
| DIMENSIONS: mm | | TOLERANCES UNLESS OTHERWISE SPECIFIED: 0 PLC ±- 1 PLC ±- 2 PLC ±- 3 PLC ±- 4 PLC ±- ANGLES ±1° | | NAME ERGOCRIMP HAND TOOL FOR LOCKING TAB SOCKET 0,35-0,50 mm ² | |
| MATERIAL - | | FINISH - | | PRODUCT SPEC - APPLICATION SPEC - WEIGHT - | |
| CUSTOMER DRAWING | | SCALE 1:1 | | SHEET 1 OF 1 REV A1 | |