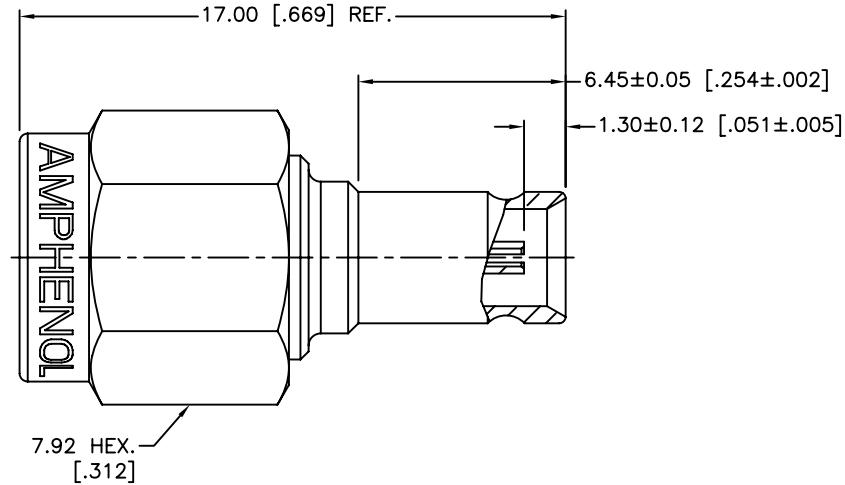
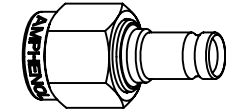


REV.	DATE	ECR NO.	DESCRIPTION
NC	06/16/04	XXXXXX	INITIAL RELEASE
A	10/24/13	2542	SHOW AMPHENOL STAMP ON SMA COUPLING NUT, ADD ELECTRICAL/MECHANICAL NOTES, UPDATE DRAWING FORMAT



1. IMPEDANCE: 50 OHM
2. FREQUENCY RANGE: 0-4 GHZ
3. VSWR(RETURN LOSS), MAXIMUM  
DC - 4GHz: 1.065 (-30 dB)
4. DURABILITY: 500 CYCLES MIN.
5. TEMPERATURE RANGE: -40°C TO +85°C

QTY	DESCRIPTION	MATERIAL	FINISH
1	RETAINER RING	SUS 304	NATURAL
1	GASKET	SILICONE RUBBER	RED
1	COUPLING NUT	STAINLESS STEEL	PASSIVATED
1	CONTACT PIN	BER. COPPER	GOLD
1	INSULATOR	PTFE	NATURAL
1	BODY	STAINLESS STEEL	GOLD

UNLESS OTHERWISE SPECIFIED DIMENSIONS ARE IN MILLIMETERS. DIMENSIONS IN [ ] ARE IN INCHES AND FOR CUSTOMER REFERENCE ONLY.  
UNLESS OTHERWISE SPECIFIED  
TOLERANCES FOR MILLIMETERS ARE:  
<0.5 ± 0.05mm  
0.5 - 6mm ± 0.10mm  
6 - 30mm ± 0.20mm  
30 - 120mm ± 0.30mm  
ANGLES ± 1°  
UNLESS OTHERWISE SPECIFIED  
TOLERANCES FOR INCHES ARE:  
<.020 ± 0.002"  
.020 - .236 = ± 0.004"  
.236 - 1.180 = ± 0.007"  
1.180 - 4.724 = ± 0.012"  
ANGLES ± 1°  
DO NOT SCALE DRAWING

APPROVALS	DATE
DRAWN S.LI	10/24/13
CHECKED	
ISSUED	
SHEET 1 OF 1	
CAD FILE C:/CONNEX/242207.DWG	

<b>Amphenol Connex</b>			
PART DESCRIPTION			
SMA PLUG TO 1.0/2.3 JACK ADAPTER			
PART NO.			
242207			
DWG. NO.	242207.DWG	REV.	A
SIZE	A	SCALE	NA