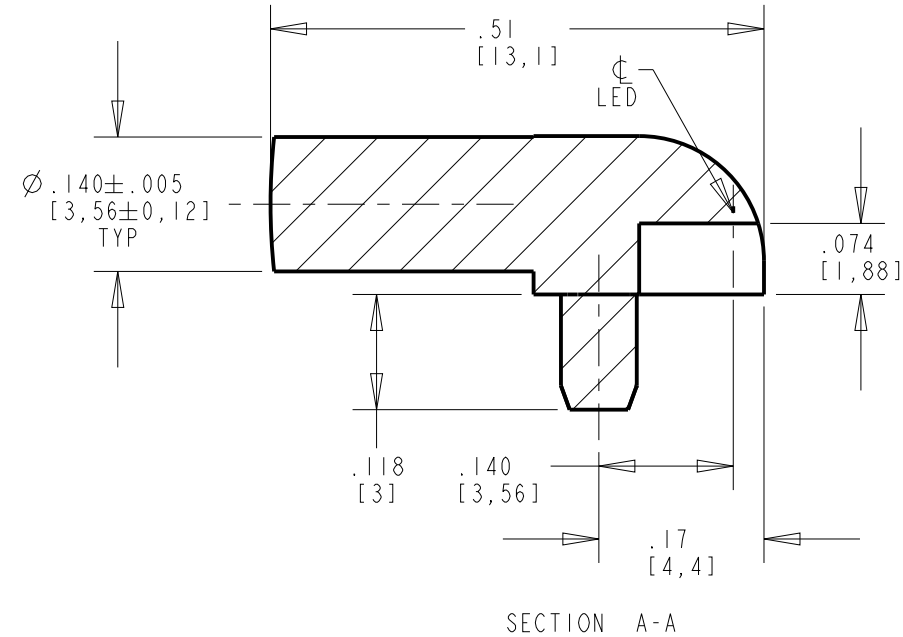
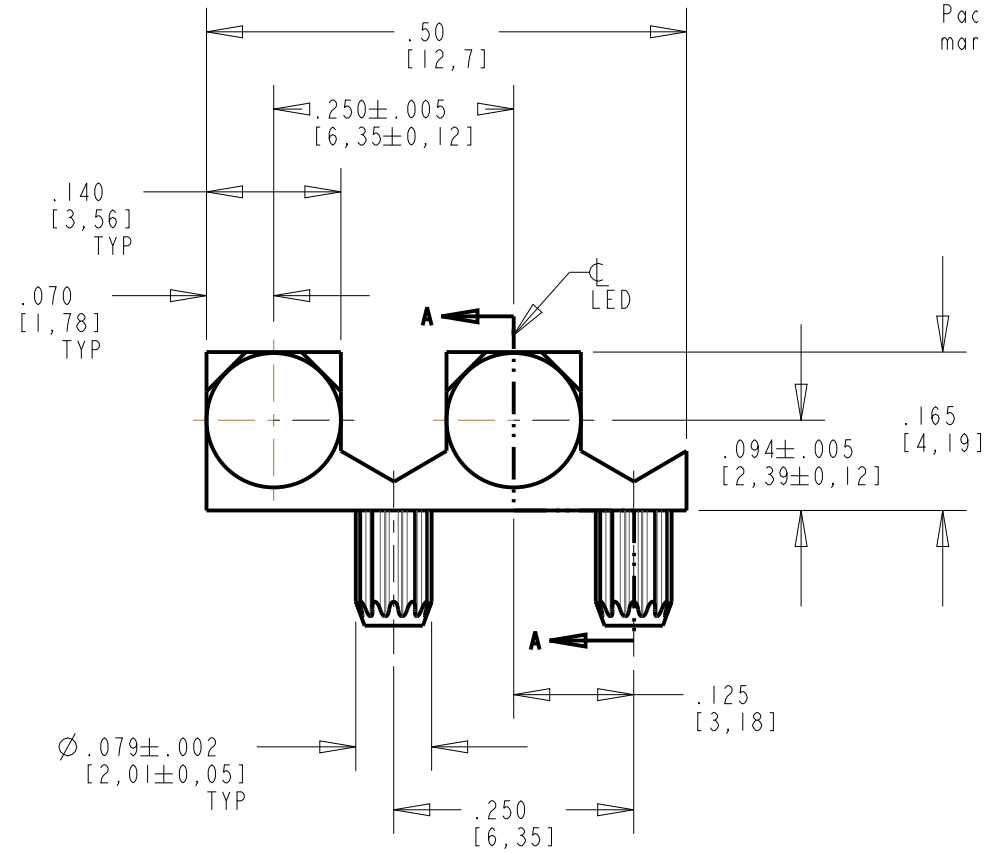


REV	ECN NO	REVISIONS	DRN	CKD	APP	DATE
A		NEW RELEASE	KLJ	N.O.	MES	9-3-08
B		ADDED SECTION A-A	WFB	JTD	N.O.	8-5-13

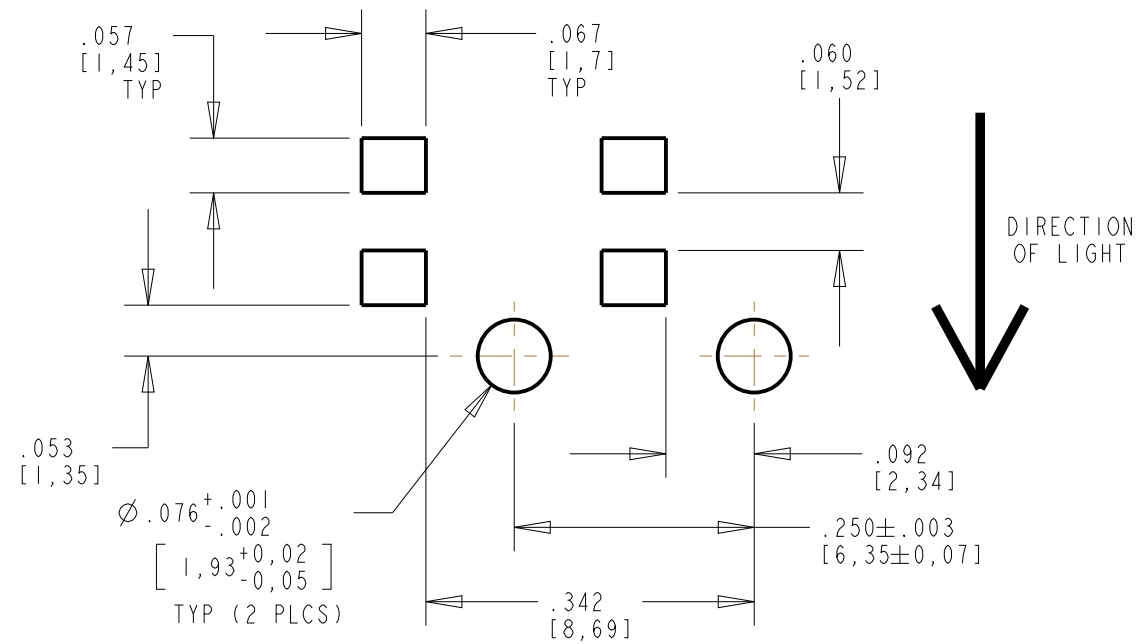
RoHS COMPLIANT 515-1071F

Part Numbers with the "F" suffix ending are RoHS Compliant. Packaging is marked with "RoHS Compliant" label or equivalent markings.

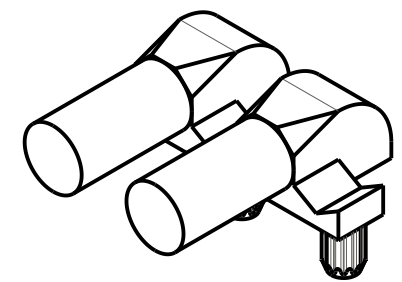
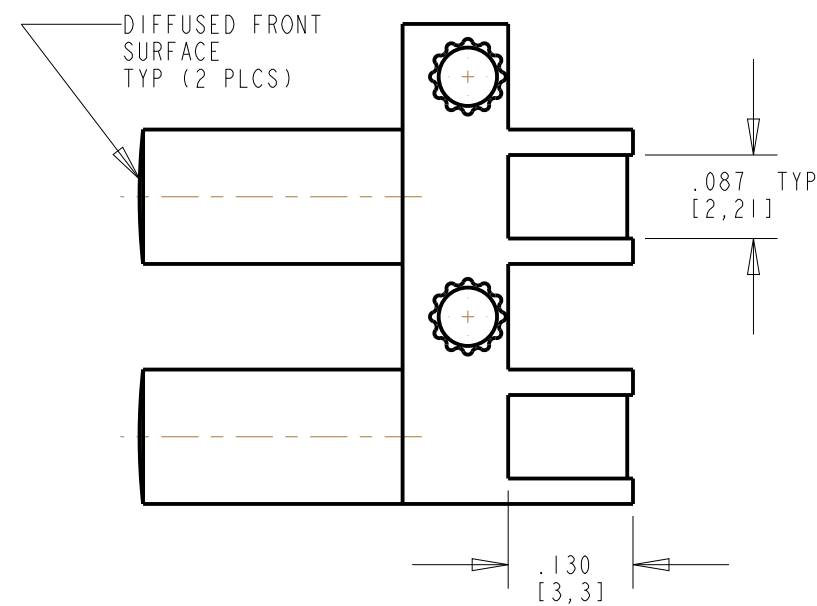


NOTES:

1. COMPONENTS TO BE MOLDED IN A CLEAR TRANSMISSIVE POLYCARBONATE (UL 94V-0 FLAMMABILITY CLASS).
2. FINISH FOR THE FRONT CURVED AREA ONLY.
3. COMPONENTS DESIGNED TO BE PRESSED INTO P.C. BOARD.
4. RECOMMENDED LIGHT SOURCES: SINGLE COLOR SMT LEDS (DIALIGHT P/N'S: 597-3XX1-30XF, 597-3XXX-40XF)
5. DIALIGHT PART NUMBER: 515-1071F



RECOMMENDED SOLDER PAD/HOLES LAYOUT



SCALE 3.000

THIS DRAWING AND THE CONTENTS HEREIN ARE CONFIDENTIAL AND THE SOLE PROPERTY OF DIALIGHT. REPRODUCTION OF THIS DRAWING OR CONSTRUCTION OF ANY PARTS WITHIN THIS DRAWING ARE FORBIDDEN WITHOUT THE WRITTEN CONSENT OF DIALIGHT.		
SCALE: 5.000 ALL DIM'S IN: INCHES (MM)	DRAWING NUMBER C-17656	REV B
TOLERANCES: UNLESS OTHERWISE SPECIFIED FRACTIONS: ±1/64 DECIMALS (.XX): ±.02 DECIMALS (.XXX): ±.015 DECIMALS (.XXXX): ±.0005 ANGLES: ±3°	TITLE 2-ELEMENT LIGHT PIPE RoHS COMPLIANT	
FINISH:	MATERIAL	
FSCM 83330	1501 ROUTE 34 SOUTH FARMINGDALE, NJ 07727	
SHEET 1 OF 1		FAMILY TABLE: