

10.0000MHz



Specification:

specification number OS625-1005-001
frequency: 10.0000 MHz
tolerance: $\pm 0.02\text{ppm}(-20 +70)^{\circ}\text{C}$

output: Sine +10 dBm Typ.
Harmonics: -30 dBc. Min.
Spurious: -90 dBc
supply voltage: +5 Vd.c.
voltage reference: 4.5 V

Generic specification:

stability:
 against V_{cc} change $\pm 0.002\text{ppm max.}, V_{cc} \pm 5\%$
 against load change $\pm 0.002\text{ppm max.}, \text{load} \pm 10\%$
 ageing short term $\pm 0.0002\text{ppm max./day after 30 days continuous operation}$
 ageing long term $\pm 0.4\text{ppm max./year after 30 days continuous operation}$
 trim $\pm 1\text{ppm Typ.}$
 $\pm 0.5\text{ppm Min.}$
 0 to 4.5V: 2.25V Centre

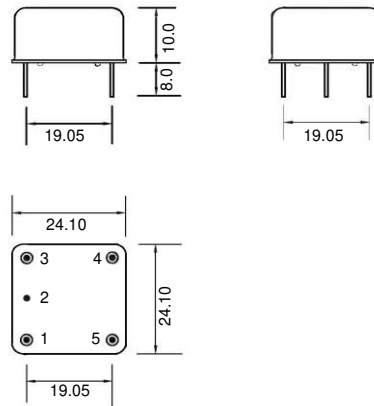
power supplies:
 start up current 450mA max.,
 quiescent current <220mA, +25°C
 warm up time 3 minutes max. to within $\pm 0.05\text{ppm}$ of nominal
 insulation resistance 500MegΩ min., 100Vd.c.

phase noise:
 single sideband -120dBc/Hz, $f_o+10\text{Hz}$
 -135dBc/Hz, $f_o+100\text{Hz}$
 -150dBc/Hz, $f_o+1\text{KHz}$
 -165dBc/Hz, $f_o+10\text{KHz}$,

temperature:
 operating range $(-20 +70)^{\circ}\text{C}$
 storage range $(-55 +125)^{\circ}\text{C}$

marking: part number, frequency, date code.

Dimensions:

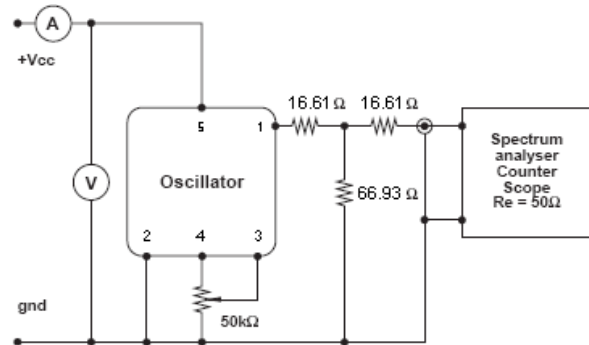


Pins viewed from bottom
 pin diameter 0.8mm

Pin Connections:

- #1 Output
- #2 ground/case
- #3 Trim
- #4 N/C
- #5 Vcc.

Test circuit:



test circuit includes a 6 dB Pad.

Environmental conditions:

mechanical shock: MIL standard 202F, method 213, condition J
 (Consult Factory)
thermal shock: MIL standard 202F, method 107, condition A
 (Consult Factory)
vibration: MIL standard 202F, method 204, condition B
 (Consult Factory)
solderability: 5 seconds max. +230°C
 3 seconds max. +350°C
RoHS: RoHS Compliant



RFX Limited
 precision
 oscillators

Unit 11A, Oakbank Park
 Livingston,
 West Lothian
 Scotland, EH53 0TH

Tel: +44 (0)1506 439222
 Fax: +44 (0)1506 439333
 e-mail: sales@rfx.co.uk
 url: <http://www.rfx.co.uk>