

# Customer Information Sheet

DRAWING No.: M80-310

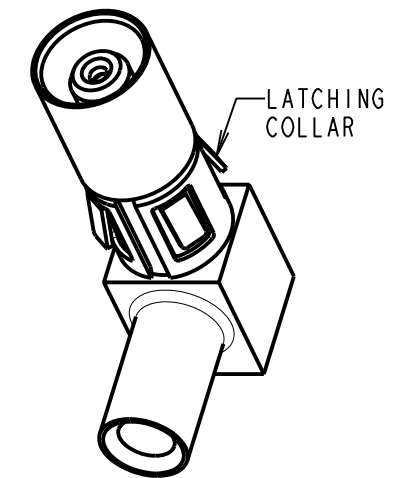
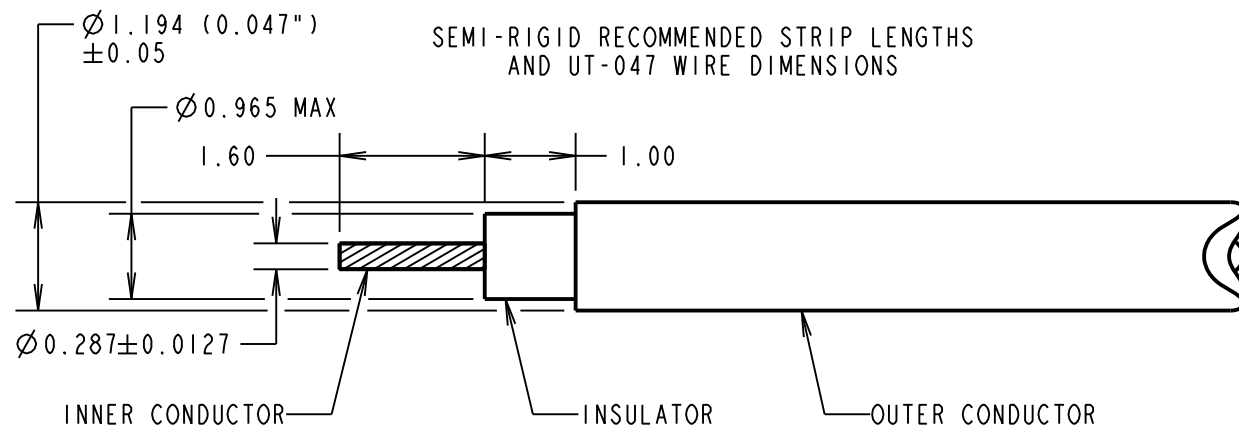
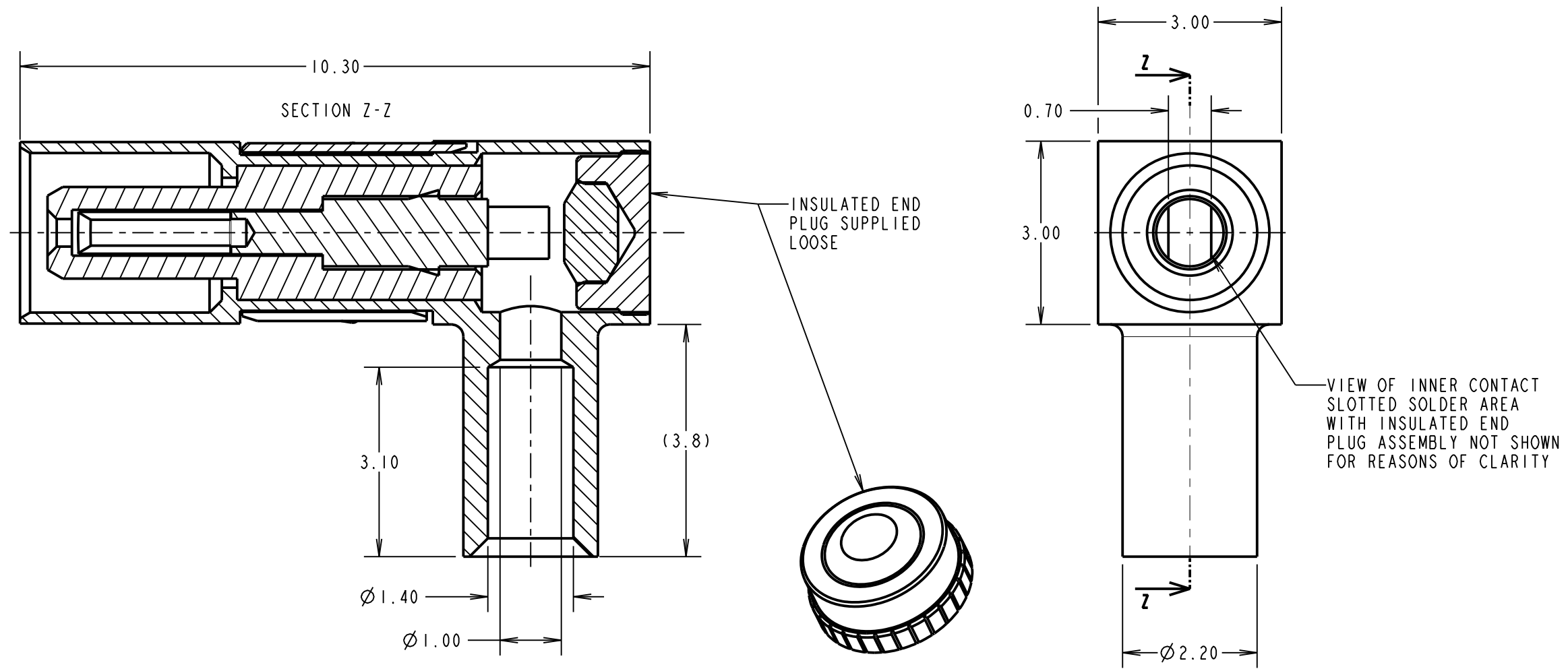
IF IN DOUBT - ASK

©

NOT TO SCALE

THIRD ANGLE PROJECTION

ALL DIMENSIONS IN mm



- NOTES:
- CONNECTOR COMES SUPPLIED AS A KIT OF PARTS: BODY, MAIN INSULATOR, INNER CONTACT AND LATCHING COLLAR ARE PRE-ASSEMBLED, INSULATED END PLUG ASSEMBLY IS SEPARATE.
  - CONTACT EXTRACTION TOOL = Z80-290
  - CONTACT RECOMMENDED FOR USE WITH UT-047 SEMI-RIGID COAX WIRE. DIMENSIONS DETAILED ABOVE RELATE TO WIRE USED IN TESTING.
  - FOR ALL ELECTRICAL/MECHANICAL REQUIREMENTS, SEE COMPONENT SPECIFICATION C005XX (LATEST ISSUE).

**HARWIN**

www.harwin.com  
technical@harwin.com

THIS DRAWING AND ANY INFORMATION OR DESCRIPTIVE MATTER SET OUT HEREON ARE CONFIDENTIAL AND COPYRIGHT PROPERTY OF THE HARWIN GROUP AND MUST NOT BE DISCLOSED, LOANED, COPIED OR USED FOR MANUFACTURING, TENDERING OR FOR ANY OTHER PURPOSE WITHOUT THEIR WRITTEN PERMISSION.

TOLERANCES

X. = ±1mm  
X.X = ±0.50mm  
X.XX = ±0.20mm  
X.XXX = ±0.01mm  
ANGLES = ±5°  
UNLESS STATED

MATERIAL:

COPPER ALLOY WITH PTFE INSULATOR

FINISH: GOLD, NICKEL COLLAR

S/AREA: mm<sup>2</sup>

TITLE: DATAMATE MIX-TEK COAX CONTACT FEMALE 90° SOLDER FOR 0.047" SEMI RIGID

DRAWING NUMBER:

**M80-310**

SHT 2 OF 2

RA	3	23.11.21	31215
NAME	ISS.	DATE	CN/CO
APPROVED:		R.ALEXANDER	
CHECKED:		M.RUDKIN	
DRAWN:		S.FLOWER	
CUSTOMER REF.:			
ASSEMBLY DRG:			