

6

5

4

3

2

1

D

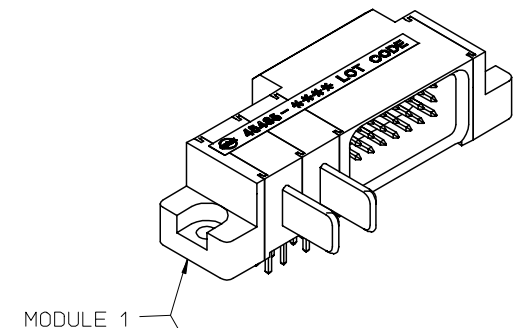
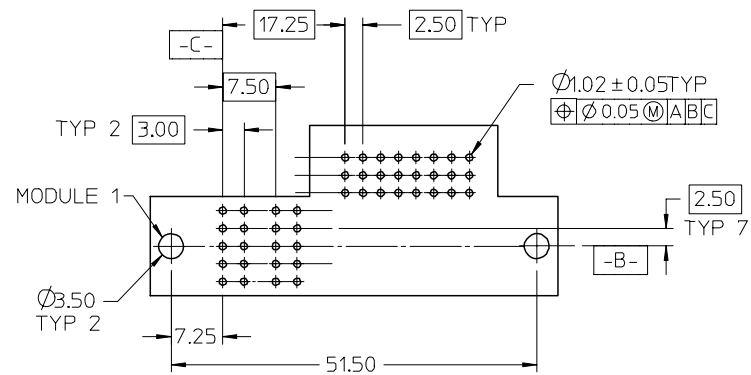
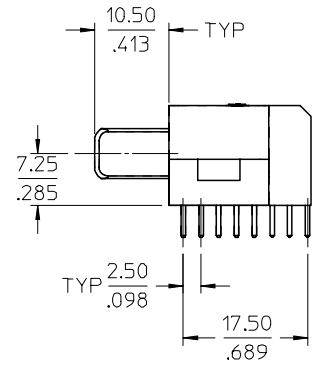
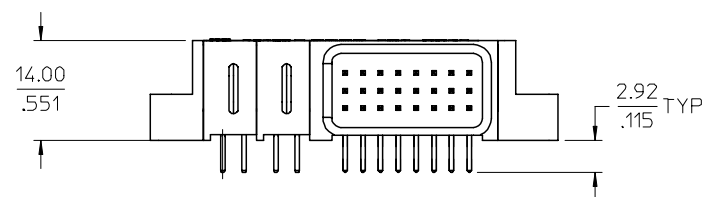
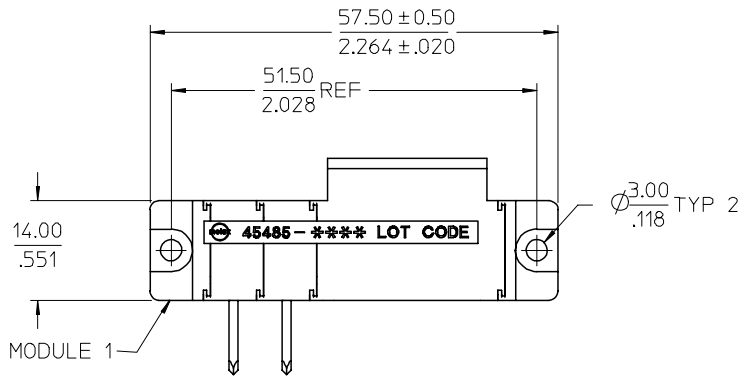
C

B

A

NOTES:

- 1. MATERIAL: LCP, GLASS FILLED, UL94V-0, BLACK.
CONTACTS: COPPER ALLOY
- 2. FINISH: SELECT GOLD: 30 MI MIN.
SELECT TIN: 100 MI MIN.
BOTH OVER NICKEL.
- 3. PRODUCT SPECIFICATION: PS-45424-001.
- 4. PACKAGING SPECIFICATION: PK-45485-001.



PCB LAYOUT: COMPONENT SIDE
 PCB THICKNESS: 1.57/.062
 PCB TOLERANCE: $\pm 0.05/.002$

GEOM TOL PCB	DESCRIPTION
EC NO: UCP2005-2576	
DRWN: ADRAINOL 2005/07/07	
CHKD: KSAMIEC 2005/07/08	
APPR: APATEL 2005/07/19	
A1	REV

GENERAL TOLERANCES (UNLESS SPECIFIED)	
mm	INCH
4 PLACES \pm ---	\pm ---
3 PLACES \pm ---	$\pm .010$
2 PLACES ± 0.25	$\pm .015$
1 PLACE ± 0.38	\pm ---
ANGULAR $\pm 1/2^\circ$	
DRAFT WHERE APPLICABLE MUST REMAIN WITHIN DIMENSIONS	

DIMENSION STYLE	
MM	IN
DRAWN BY	DATE
SAMIEC	2004/10/13
CHECKED BY	DATE
SAMIEC	2004/10/13
APPROVED BY	DATE
MARGULIS	2004/10/13
MATERIAL NO.	
45485-0054	
SIZE	
A	

SCALE	DESIGN UNITS	THIRD ANGLE PROJECTION	
1:1	METRIC		
TITLE			
POWER DOCK ASSEMBLY POWER RIGHT ANGLE SOLDER TAIL			
MOLEX INCORPORATED			
DOCUMENT NO.		SHEET NO.	
SD-45485-054		1 OF 1	

PD 500	PD 105	PD 105	PD 302	PD 501
--------	--------	--------	--------	--------

5

4

3

2

1