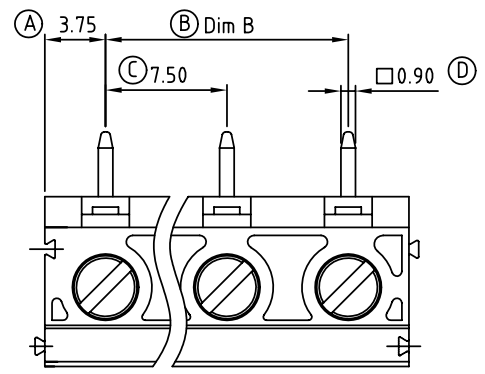


SIGN	DATE	DESCRIPTION	APPROVER
△	10/26/09	Wire guard solder pin is Changed from Brass to Copper	Aaron
△	11/09/10	Add is " VDE "	Aaron

THIS IS CAD DRAWING, DO NOT REVISE MANUALLY!!!



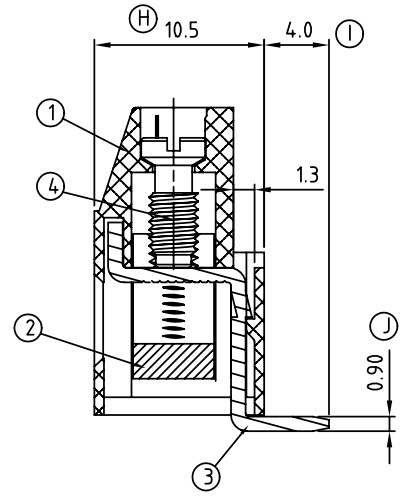
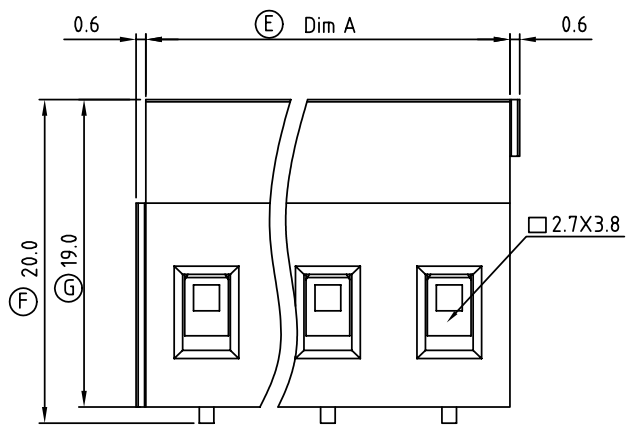
DIMENSION

Dim A	Nx7.5	Poles	Tolerance
Dim B	(N-1)x7.5	4p-8p	±0.15
		9p-12p	±0.25
		13p-16p	±0.35

N=Number of contacts

- Material:
- Item 1 Terminal housing:Thermoplastic (UL 94V-0)
 - Item 2 Clamp: Brass ,Ni plated
 - Item 3 Wire guard solder pin: Copper ,Tin plated
 - Item 4 Terminal screw: Steel Zinc plating"-slot type

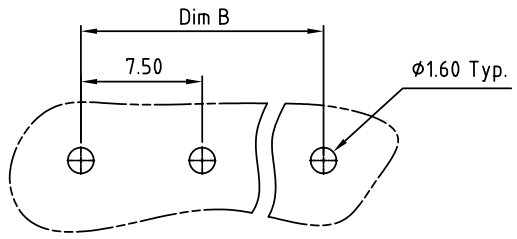
- Electrical
- | | |
|---|------------------------|
| cULus | VDE |
| ● Voltage rating: 300VAC | 750V |
| ● Current rating: 20A | 24A |
| ● Wire range : | 0.2-2.5mm ² |
| ● Solid wire(AWG): 12-30 | |
| ● Stranded wire(AWG): 12-30 | |
| ● Torque(Lb-In): 3.5 | 0.5 N.m |
| ● Screw: M3 | |
| ● Wire strip length: 6-7mm | |
| ● Withstanding Voltage: 1.6KV | 3KV |
| ● Operating temperature: -40°C to +115°C | |
| ● Soldering temperature: 250°C±10°C/5 Sec | |
| ● Safety Approval: | |



VJ xx 41 x 3 xxxx G

No. of poles	0 Black (RAL9005)	0000:"@"Logo (Standard)
04 4 CONTACTS	2 Red (RAL3001/D)	000A:"ANYTEK"Logo
05 5 CONTACTS	3 Orange(RAL2011/P)	Any special item by customer request,
... ..	4 Yellow(RAL1018/A)	please contact sales department.
16 16 CONTACTS	5 Green(RAL6018/T)	
	6 Blue (RAL5015/A)	
	8 Grey(RAL7035/D)	

RoHS
Pb<40,000ppm



P.C.B LAYOUT

ANYTEK		CUSTOMER COPY	
ALL RIGHTS RESERVED. REPRODUCTION OR ISSUE TO THIRD PARTIES IN ANY FORM WHATSOEVER IS NOT PERMITTED WITHOUT WRITTEN AUTHORITY FROM THE PROPRIETOR. PROPERTY OF ANYTEK TECHNOLOGY CO., LTD			
TITLE	VJ-7.5 Series 4P-16P Vertical solid block (90D wire inlet)		
PART NO.	VJxx41x3xxxxG	DWG NO.	8VJ0207
APPROVED	CHECKED	DESIGNED	DRAWN
		Aaron 2010.11.09	Aaron 2009.10.26
SHEET: 01/01		UNIT: mm	Tolerance
		SCALE: NONE	X. ±0.50
		REV: D	X.X ±0.30
			X.XX ±0.10
			X° ±1°