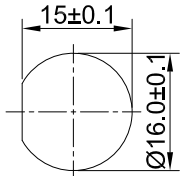
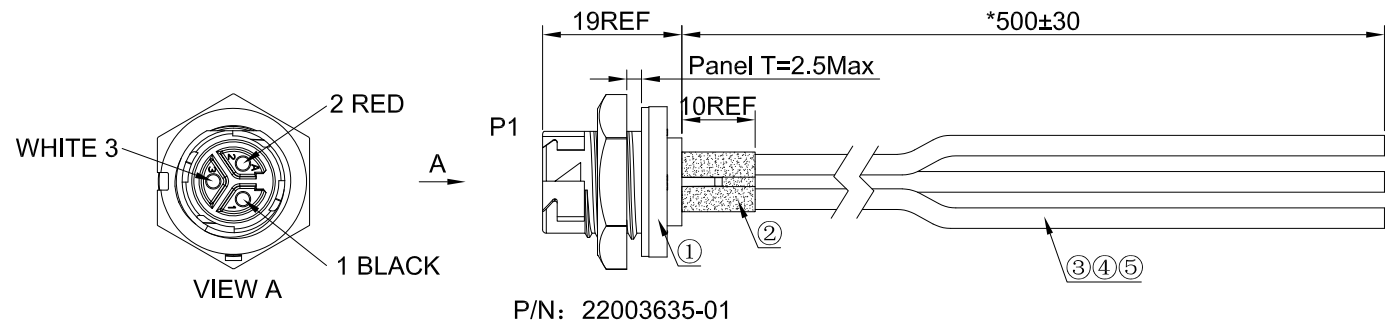


THIS INFORMATION IS CONFIDENTIAL AND IS DISCLOSED TO YOU ON CONDITION THAT NO FURTHER DISCLOSURE IS MADE BY YOU TO OTHER THAN CHOGORI PERSONNEL WITHOUT AUTHORIZATION FROM CHOGORI CORP.

1	2	3	4	5	6	7	8		
CUSTOMER No. :	REV. :	CATEGORY	IN LINE WITH THE TYPE	PAGE	REV. :	ECN&ECR No.	DESCRIPTION	DSN	DATE
			YES NO		C1	NA	Initial Drawing	XU	2022.05.27
		NEW ENERGY VEHICLE PRODUCTS							
		INDUSTRIAL PRODUCTS	√						
		RoHS	√						
		REACH							
		Halogen-Free							
		CALIFORNIA 65							



Panel Cut-Out



- SPECIFICATIONS:**
- INSULATION RESISTANCE: 10MΩ@500VDC/0.01S.
  - VOLTAGE RATING: 600V.
  - CURRENT RATING: 10A.
  - OPERATION TEMPERATURE: -10℃~+105℃.
  - WATERPROOF IPX7(MATED).
  - RoHS COMPLIANT.

5	900-00101-00033	A/C	M	UL1015 18AWG PVC 105℃ 600V WHITE OD2.8
4	900-00101-00087	A/C	M	UL1015 18AWG PVC 105℃ 600V RED OD2.8
3	900-00101-00032	A/C	M	UL1015 18AWG PVC 105℃ 600V BLACK OD2.8
2	504-00049-00	A/C	M	ADHESIVE HEAT SHRINK TUBE OD3.2
1	22003635-01	1	PC	STANDARD SERIES 3PIN PANEL MOUNT WITH FEMALE PIN(4 LOCKS -501)
ITEM	PART NO	QTY	UNIT	DESCRIPTION

MATERIAL OF BILL

PART No.:	11C03622051309	DRAWN BY:	XU	TECHNICS:	
MATERIAL:		PROOFREAD BY:		QUALITY:	
MOLD No.:		CHECKED BY:		APPROVED BY:	Kevin 2022.05.30 11:08:35 108000
		STANDARDISATION:			

UNIT: mm	DESCRIPTION: STANDARD SERIES 3PIN PANEL MOUNT WITH FEMALE PIN(4 LOCKS -501) L=500MM	
未注线性和角度尺寸公差 UNSPECIFIED TOLERANCE	SCALE: 1:1	SHEET: 1 OF 1
GB/T 1804-M	REV.: C1	SIZE: A4 ASME Y14.5-2009

**CHOGORI**  
深圳乔合里科技股份有限公司

A B C D E F