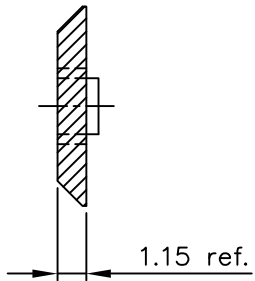
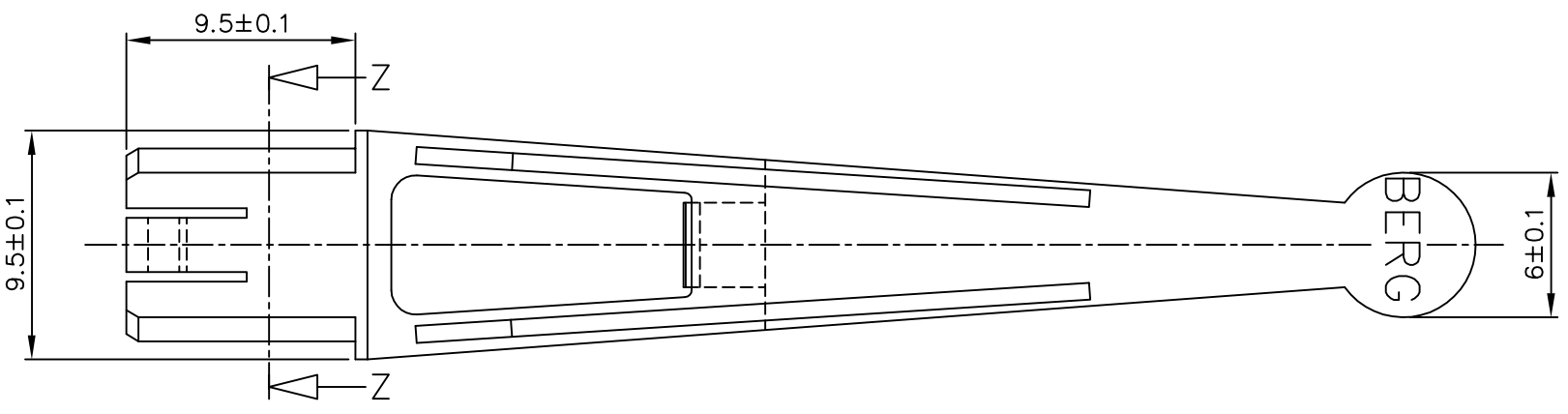
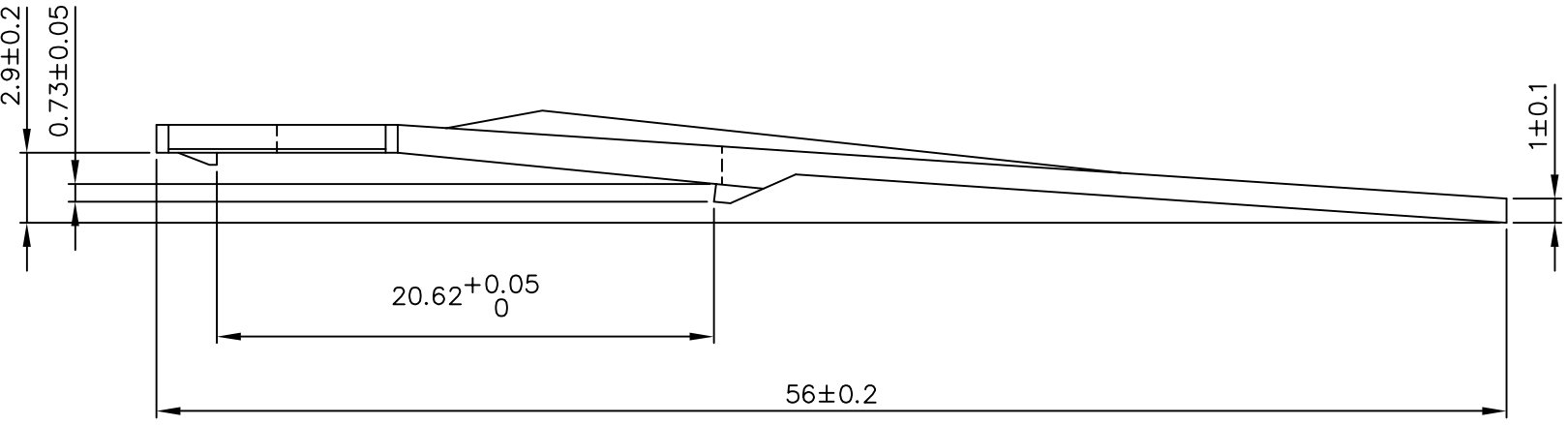


PRODUCT NUMBER
66998-001

Material: Thermoplastic polyester 30% glass filled
Colour: grey, flame retardant per UL-94-V0



SECTION Z-Z



NOTES:-

1. THIS PRODUCT MEETS EUROPEAN UNION DIRECTIVES AND OTHER COUNTRY REGULATIONS AS DESCRIBED IN GS-22-008.
2. LEADFREE OR RoHS DIRECTIVE LABELLING TO BE PROVIDED AS PER GS-14-920.
3. " LF " SUFFIX TO PRODUCT NUMBER FOR RoHS COMPATIBLE/ LEADFREE VERSION.
4. PARTS WITH AND WITHOUT "LF " SUFFIX ARE FORM-FIT AND FUNCTIONALLY IDENTICAL. " LF " SUFFIX PROVIDED FOR PART NUMBER STANDARDISATION OF PART THAT MEETS RoHS REQUIREMENTS.

| | | | | | | | | | |
|-------------|----------------|----------|------------|---------------------------------------|---------------|------------|--------------------------|----------------|--------------|
| mat'l. code | | surface | | tolerance | | projection | | product family | |
| SEE NOTE | | ISO 1302 | | ISO 406 ISO 1101 | | mm | | BACKPANEL | |
| ltr | ecn no | dr | date | tolerances unless otherwise specified | | mm | | title | |
| A | H20812 | MVI | 1992-12-18 | angles | linear | mm | | LATCH EXTENDED | |
| B | F00406 | LLA | 2005-05-22 | | | mm | | | |
| C | I05-0123 | MINI | 2005-07-27 | | | scale - | | | |
| D | I05-0248 | MINI | 2005-11-22 | dr | D.LEGRAND | 2000-10-09 | FCJ | | dwg no |
| E | I06-0068 | MINI | 2006-06-01 | enr | J.F.NOTTEAU | 2000-10-09 | 66998 | | sheet 1 of 1 |
| | | | | chr | RAKHEE GEORGE | 2006-06-01 | Product Customer Drawing | | size |
| | | | | appd | RAKHEE GEORGE | 2006-06-01 | | | A3 |
| sheet index | revision sheet | E | 1 | | | | | | |



Copyright FCJ