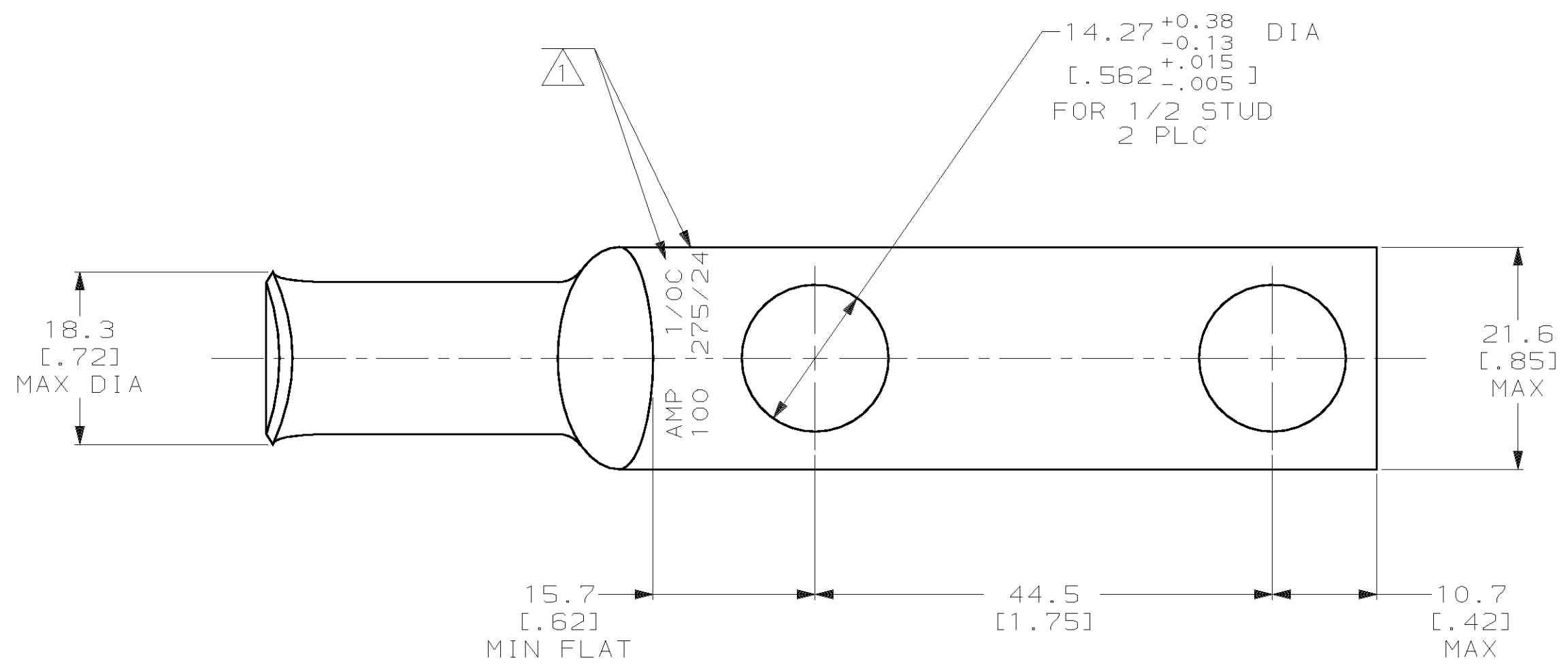


THIS DRAWING IS UNPUBLISHED. RELEASED FOR PUBLICATION, 19 .
 © COPYRIGHT 19 BY AMP INCORPORATED. ALL INTERNATIONAL RIGHTS RESERVED.

LOC		DIST		P		F		ZONE		LTR		REVISIONS		DATE	APPD
G	86												DESCRIPTION	030CT02	JR/MS
												E	REV PER 063A-0561-01		

METRIC
 DIMENSIONS LISTED IN mm [INCHES]



① STAMP AMP 1/0C 100 275/24 APPROX AS SHOWN

AMP INCORPORATED CUSTOMER SERVICE SYSTEMS		MAX RECOMMENDED OPERATING TEMPERATURE: 170°C MAX	DO NOT SCALE PRINT. UNLESS SPECIFIED DIMENSIONS IN mm [INCHES] TOLERANCES ON: 2 PLC DEC ± 0.20 [0.008] 3 PLC DEC ± - ANGLES ± -	DR 30AUG94 DK SCHRUM	AMP Incorporated Harrisburg, PA 17105-3608	
FOR ADDITIONAL PRODUCT INFORMATION OR COPIES OF DRAWINGS AND TECHNICAL DOCUMENTS	PRODUCT INFORMATION CENTER 1-800-522-6752	VOLTAGE RATING: NOT APPLICABLE	MATERIAL COPPER PER ASTM B-75 ANNEALED	CHK 31AUG94 AJ KAUFMAN		NAME TERMINAL, AMPOWER, WIRE SIZE: 1/0 AWG
FOR APPLICATION TOOLING INFORMATION	TOOLING ASSISTANCE CENTER 1-800-722-1111	CIRCULAR MIL AREA: 42.41-60.55mm ² [83,700-119,500] CIR MILS STRANDED	FINISH TIN PLATE 0.00381 [0.000150] MIN THK PER MIL-T-10727	APPD 31AUG94 RE ROSER	PRODUCT SPEC -	
FOR ORDER ENTRY	1-800-526-5142	THIS DRAWING IS A CONTROLLED DOCUMENT FOR AMP INCORPORATED. IT IS SUBJECT TO CHANGE AND THE CONTROLLING ENGINEERING ORGANIZATION SHOULD BE CONTACTED FOR THE LATEST REVISION.		APPD 31AUG94 JL MECKLEY	APPLICATION SPEC -	
				WEIGHT -	SIZE C 00779	DRAWING NO C=53680
					SCALE 2:1	SHEET 1 OF 1