

# CC1,5-TS-2,50FPE S/T AU - Crimp contact



1029391

<https://www.phoenixcontact.com/us/products/1029391>

Please be informed that the data shown in this PDF document is generated from our online catalog. Please find the complete data in the user documentation. Our general terms of use for downloads are valid.



Crimp contact, contact diameter: 1.5 mm, turned, Socket, contact material: CuZn, contact surface: Ni/Au, connection cross section: 2.5 mm<sup>2</sup> ... 2.5 mm<sup>2</sup>, AWG 14 ... 14, for the PE or functional ground connection

## Commercial data

Item number	1029391
Packing unit	1 pc
Minimum order quantity	25 pc
Sales key	BF34
Product key	BF2CJB
Catalog page	Page 278 (C-2-2019)
GTIN	4055626530857
Weight per piece (including packing)	0.568 g
Weight per piece (excluding packing)	0.136 g
Customs tariff number	85366990
Country of origin	DE

# CC1,5-TS-2,50FPE S/T AU - Crimp contact



1029391

<https://www.phoenixcontact.com/us/products/1029391>

## Technical data

### Mounting

Mounting type	Snap in
Connection method	Crimp connection

### Product properties

Product type	Crimp contact
Type	Individual female contact
Contact material type	turned

### Connection data

Connection method	Crimp connection
Contact connection type	Socket
Connection technology	Crimp connection
Conductor cross section	2.5 mm <sup>2</sup> ... 2.5 mm <sup>2</sup> (flexible)
Connection cross section AWG	14 ... 14 (flexible)
Conductor cross section flexible	2.5 mm <sup>2</sup> ... 2.5 mm <sup>2</sup>
Conductor cross section AWG	14 ...

### Material specifications

Contact material	CuZn
Contact surface material	Ni/Au

### Dimensions

#### Mechanical characteristics

Contact diameter	1.5 mm
------------------	--------

### Mechanical properties

#### Mechanical data

Insertion/withdrawal cycles	≥ 100
-----------------------------	-------

### Environmental and real-life conditions

#### Ambient conditions

Ambient temperature (operation)	-40 °C ... 85 °C
---------------------------------	------------------

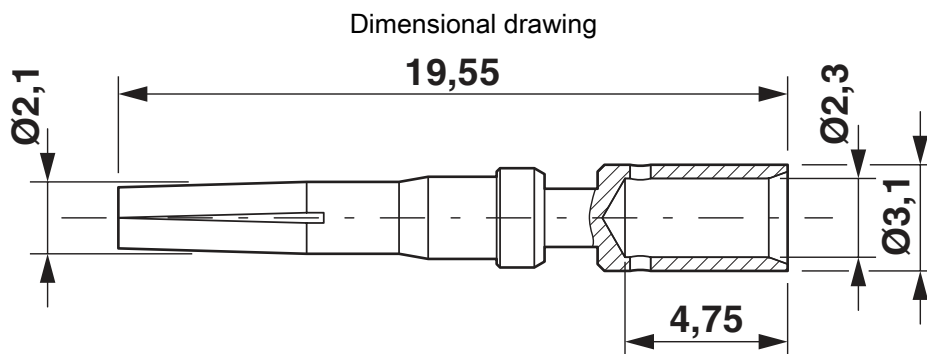
# CC1,5-TS-2,50FPE S/T AU - Crimp contact



1029391

<https://www.phoenixcontact.com/us/products/1029391>

## Drawings



Crimp contact, diameter: 1.5 mm

# CC1,5-TS-2,50FPE S/T AU - Crimp contact



1029391

<https://www.phoenixcontact.com/us/products/1029391>

## Classifications

### ECLASS

ECLASS-11.0	27440204
ECLASS-12.0	27440204
ECLASS-13.0	27440204

### ETIM

ETIM 8.0	EC000796
----------	----------

### UNSPSC

UNSPSC 21.0	39121500
-------------	----------

# CC1,5-TS-2,50FPE S/T AU - Crimp contact



1029391

<https://www.phoenixcontact.com/us/products/1029391>

## Environmental product compliance

China RoHS	Environmentally friendly use period: unlimited = EFUP-e
	No hazardous substances above threshold values

# CC1,5-TS-2,50FPE S/T AU - Crimp contact



1029391

<https://www.phoenixcontact.com/us/products/1029391>

## Mandatory accessories

### CRIMPFOX-TC MP-6 - Crimping pliers with digital display

1202888

<https://www.phoenixcontact.com/us/products/1202888>



Crimping tool, for turned contacts, universal cross-section setting, up to a maximum of 6.0 mm<sup>2</sup>, digital display with 0.01 mm increments, pressure lock can be unlocked, positioning tool necessary as an accessory for contact positioning

---

## Accessories

### SACC-M12FSS-3PECT-CM SH - Power connector

1027469

<https://www.phoenixcontact.com/us/products/1027469>



Power connector, Power, 4-position, shielded, Socket straight M12, S, Crimp connection, knurl material: Zinc die-cast, tin-plated, external cable diameter 6.5 mm ... 11 mm, without crimp contacts

# CC1,5-TS-2,50FPE S/T AU - Crimp contact

1029391

<https://www.phoenixcontact.com/us/products/1029391>



## SACC-M12FST-4CT-CM SH - Power connector

1027466

<https://www.phoenixcontact.com/us/products/1027466>



Power connector, Power, 4-position, shielded, Socket straight M12, T, Crimp connection, knurl material: Zinc die-cast, tin-plated, external cable diameter 6.5 mm ... 11 mm, without crimp contacts

---

## CRIMPFOX-TC MP/LOC-1 - Spare locator

1142829

<https://www.phoenixcontact.com/us/products/1142829>



Locator for CRIMPFOX-TC MP6

# CC1,5-TS-2,50FPE S/T AU - Crimp contact

1029391

<https://www.phoenixcontact.com/us/products/1029391>



## WIREFOX 2,5 - Stripping tool

1212368

<https://www.phoenixcontact.com/us/products/1212368>



Stripping tool, for conductors and cables with a conductor cross section from 0.08 to 2.5 mm, self-adjusting, stripping length adjustable up to 15 mm, cutting capacity up to 6 mm<sup>2</sup> stranded/1.5 mm<sup>2</sup> solid

---

Phoenix Contact 2023 © - all rights reserved

<https://www.phoenixcontact.com>

Phoenix Contact USA  
586 Fulling Mill Road  
Middletown, PA 17057, United States  
(+717) 944-1300  
[info@phoenixcon.com](mailto:info@phoenixcon.com)