

THIS DRAWING IS UNPUBLISHED.

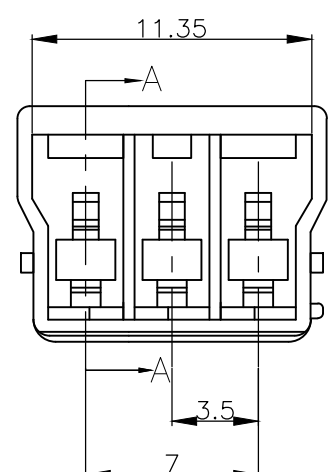
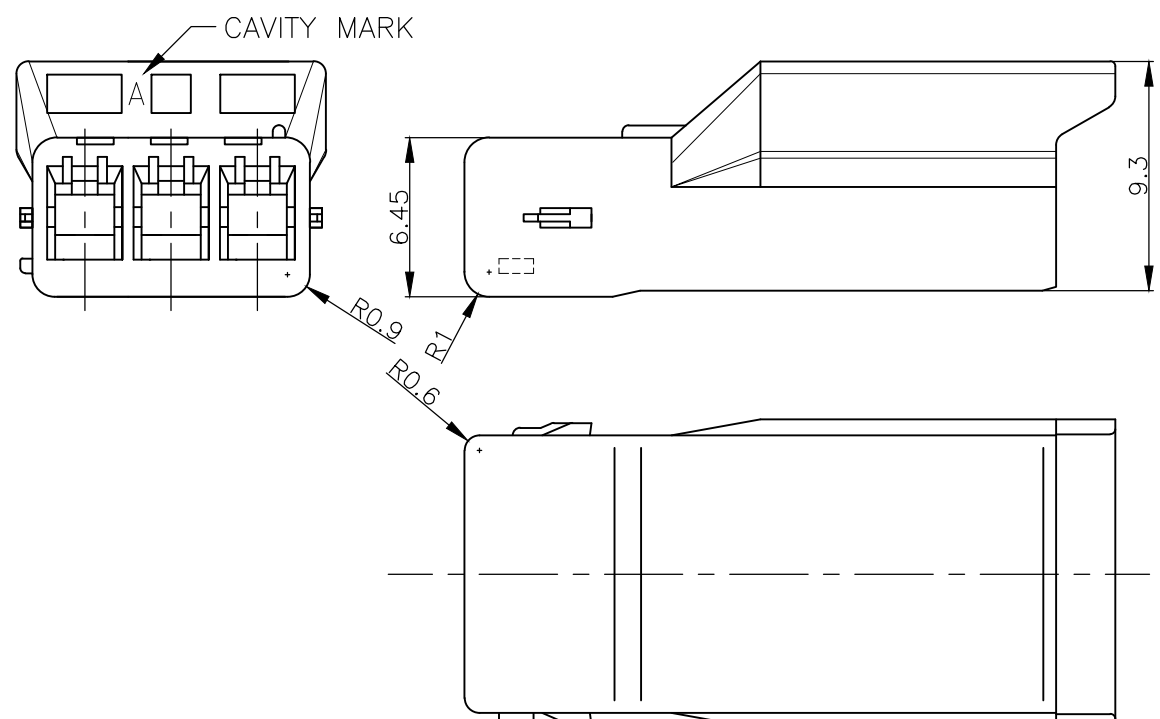
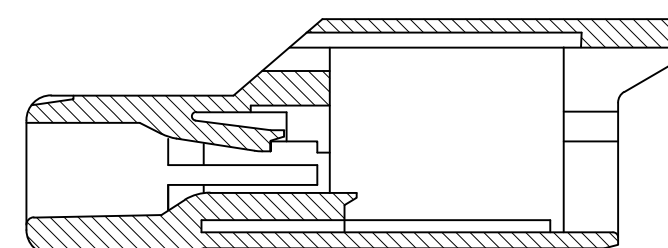
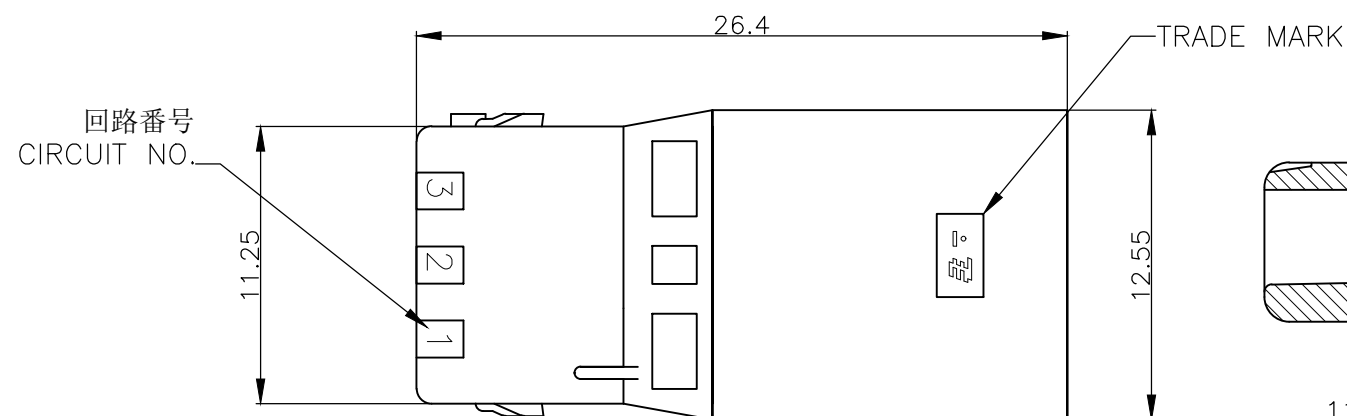
RELEASED FOR PUBLICATION

REVISIONS

© COPYRIGHT - By -

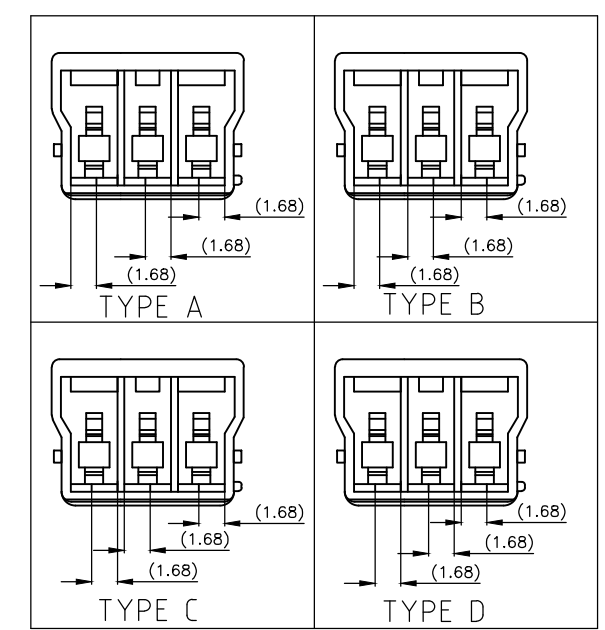
ALL RIGHTS RESERVED.

P	LTR	DESCRIPTION	DATE	DWN	APVD
	A3	REVISED PER ECR-19-006394	24APR2019	SC	D.Z



??A-A  
SECT. A-A

KEYING TYPE



- 注) 1.一般公差:±0.25  
 △材料:66ナイロン ガラス無(UL94V-0)  
 △かん合相手製品型番  
 プラグハウジング:TABLE参照のこと  
 タブコンタクト:1565080-1,1612335-1  
 4. 適応プレート型番:1565090-1

1565082-5	A	GREEN	1565086-5
3-1565082-4	D	YELLOW	3-1565086-4
2-1565082-3	C	BLUE	2-1565086-3
1-1565082-2	B	RED	1-1565086-2
1565082-1	A	NATURAL	1565086-1
△MATING HSG P/N	KEYING TYPE	COLOR	P/N

- NOTES)  
 1.GENERAL TOLERANCE:±0.25  
 △MATERIAL:66 NYLON NON-GLASS FILLED (UL94V-0)  
 △ MATING CONN. P/N  
 PLUG HOUSING:SEE TABLE  
 TAB CONTACT ;1565080-1,1612335-1  
 4. APPLICABLE PLATE P/N :1565090-1

THIS DRAWING IS A CONTROLLED DOCUMENT.		DWN A.OISHI 30 MAY. '02	<b>STE</b> TE Connectivity	
DIMENSIONS: mm		CHK M.SHINDO 30 MAY. '02		
TOLERANCES UNLESS OTHERWISE SPECIFIED.		APVD M.SHINDO 30 MAY. '02	NAME	
0 PLC ± -		PRODUCT SPEC	GRACE INERTIA CONNECTOR 3.5	
1 PLC ± -		108-5810	3POS CAP HOUSING	
2 PLC ± -		APPLICATION SPEC	グレイス・イナーシャ・コネクタ 3.5 3極 キャップハウ	
3 PLC ± -		114-5306	SIZE	RESTRICTED TO
4 PLC ± -		WEIGHT	A3 00779	—
ANGLES ± -		CUSTOMER DRAWING	CAGE CODE	DRAWING NO
FINISH -		SCALE -	1565086	SHEET 1 OF 1
MATERIAL SEE NOTE		REV A3		