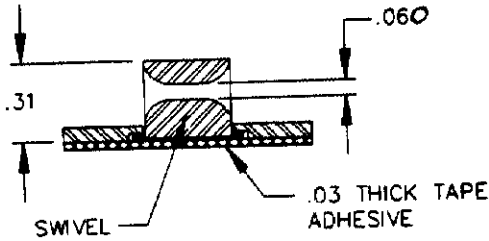
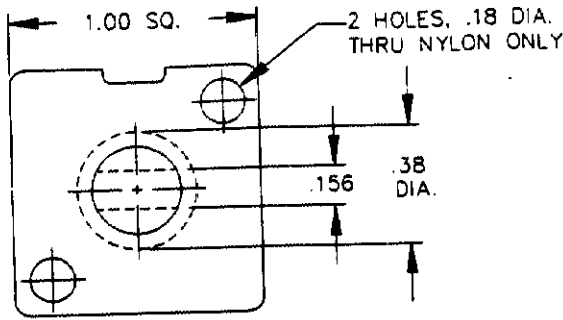


THIS INFORMATION IS CONFIDENTIAL AND IS DISCLOSED TO YOU ON CONDITION THAT NO FURTHER DISCLOSURE IS MADE BY YOU TO OTHER THAN AMP PERSONNEL WITHOUT WRITTEN AUTHORIZATION FROM AMP INCORPORATED, HARRISBURG, PA.



- NOTES:
1. ACCEPTS CABLE TIES WITH TENSILE VALUE UP TO 30 LBS. MAXIMUM.
 2. PACKAGED 100 PCS. PER POLY BAG, SEALED AND WITH LABEL OR PRINTED MARKING OF AMP NAME AND PART NUMBER.
 3. * INACTIVE.

CUSTOMER DRAWING UNPUBLISHED

607847-2*	WITHOUT ADHESIVE	
607847-1	AS SHOWN WITH ADHESIVE	

LOC D	PART No.		DESCRIPTION		ITEM
DIST 1	REVISION OF EACH ASSY NO. (WHEN BLANK, USE DWG REVISION)				
QTY. REQ'D. PER ASSY.		PARTS LIST			
		MATERIAL NYLON	HEAT TREAT <i>nr</i>	FINISH <i>nr</i>	
		DIMEN: 'S ARE IN INCHES TOLERANCES UNLESS OTHERWISE SPECIFIED: 2 PL DEC ± .02 3 PL DEC ± .01 4 PL DEC ± ANGLES ± SURF TEXTURE: <i>J</i> REMOVE BURRS, BREAK SHARP EDGES. .015 R. MAX.	DRAWN BY: <i>M.J. ZGLESZEWSKI</i>	DATE: 8/20/90	APPROVED BY:
			CHECK BY:	RELEASE: <i>J. Hamed 8/90</i>	
			AMP AMP INCORPORATED Harrisburg, Pa.		
			NAME: CABLE TIE MOUNT SWIVEL BASE		
<i>C</i>	ECN 081590	FH	B-90		
P	F	LTR	REVISION RECORD	APP	DATE
				SCALE: <i>A</i>	DRAWING No.: 607847
				SHEET: 1:1	REV.: C