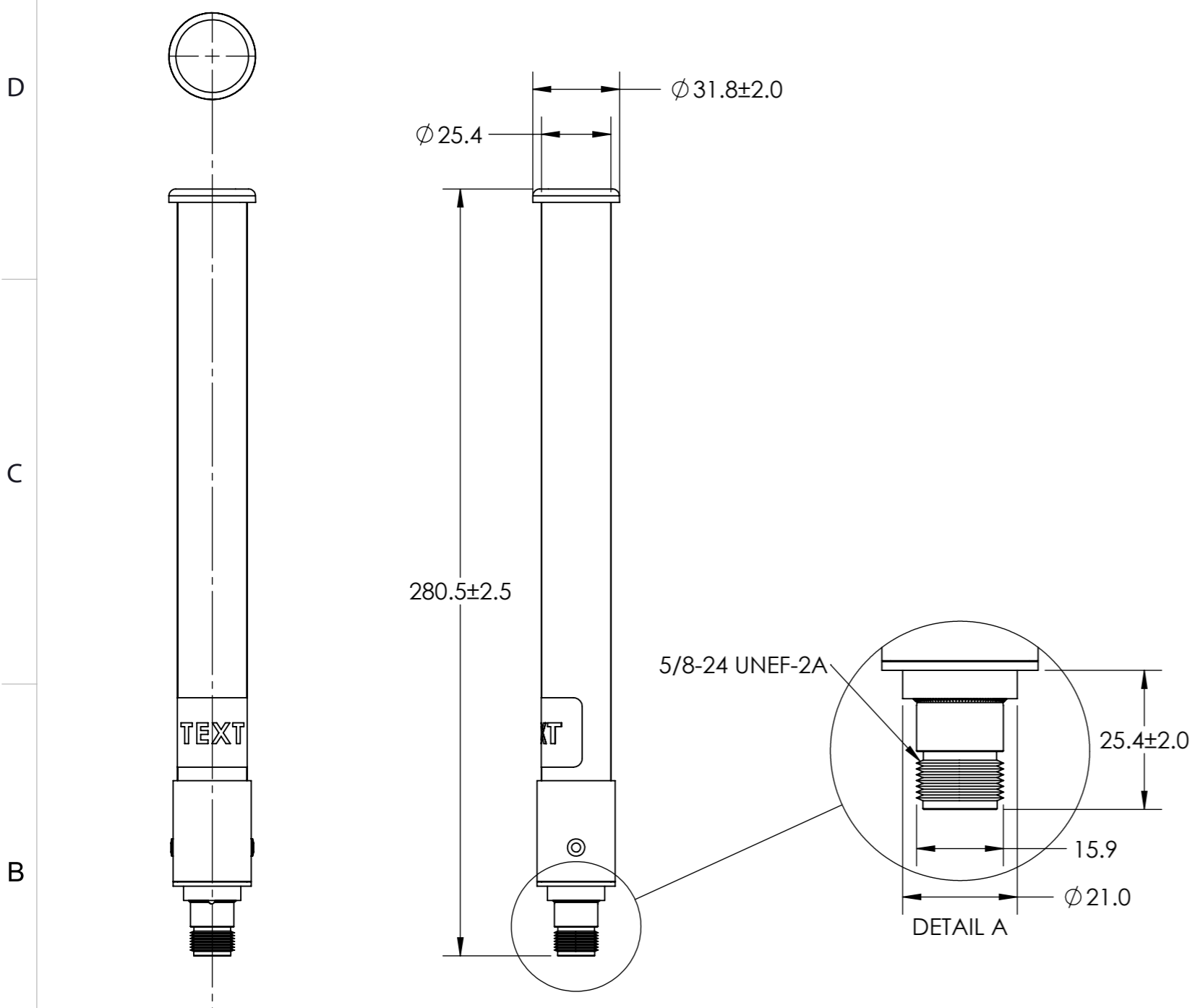
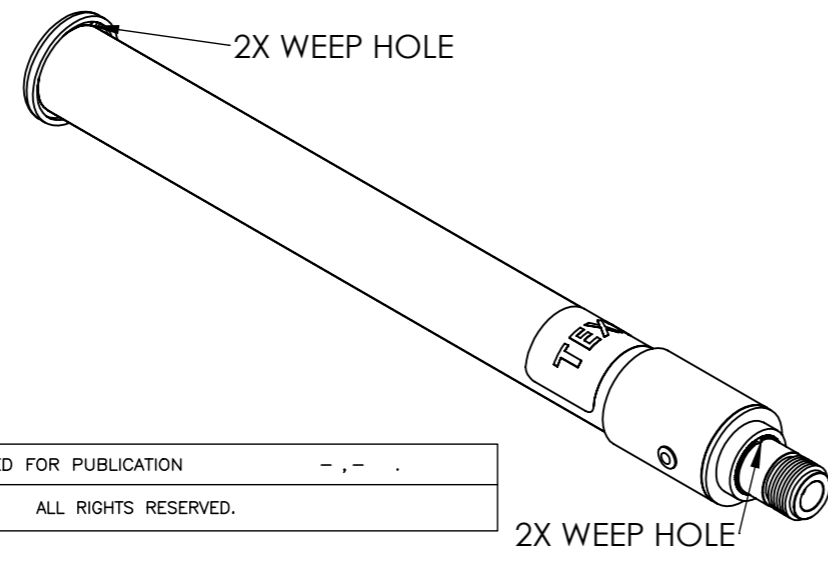


6 5 4 3 2 1

ECR		REV.		DESCRIPTION		DATE		APPROVED	
		AA		FORMAL RELEASE		M.L. 09JAN2014		T.P. 09JAN2014	



Parameter	Performance
Antenna Part Number	S4906WBFNF
Antenna Type	Omnidirectional
RF Connector	Fixed, N-type Female
Frequency	4.9-5.85GHz
Gain (4.9 -5.0 GHz)	7.5 dBi,
Gain (5.4 -5.85 GHz)	8.0 dBi
Nominal Impedance	50 Ohms
VSWR	2.0:1
Polarization	Linear Vertical
E-Plane 3 dB Beamwidth	16 Degrees
H-Plane 3 dB Beamwidth	Omnidirectional
Power	5 Watts
Weight lbs (kg)	.3 lb.
Drainage	Weep Holes provided for Standard or Inverted mounting
Radome	White UV Polycarbonate
Operating Temp. Range	-30C to +70C
Storage Temp. Range	-40C to +85C
RoHs	Compliant



MATERIAL: N/A	THIRD ANGLE PROJECTION																
FINISH: N/A	DO NOT SCALE DRAWING																
<table border="1"> <thead> <tr> <th colspan="2">APPROVALS</th> <th>DATE</th> </tr> </thead> <tbody> <tr> <td>DRAWN BY</td> <td>M.LABONVILLE</td> <td>01/09/14</td> </tr> <tr> <td>ELEC. ENG.</td> <td>T. PETROPOULOS</td> <td>01/09/14</td> </tr> <tr> <td>MECH. ENG.</td> <td>S.JOHNSON</td> <td>01/09/14</td> </tr> <tr> <td>MFG./OPS.</td> <td>I. CHICKLIS</td> <td>01/09/14</td> </tr> </tbody> </table>		APPROVALS		DATE	DRAWN BY	M.LABONVILLE	01/09/14	ELEC. ENG.	T. PETROPOULOS	01/09/14	MECH. ENG.	S.JOHNSON	01/09/14	MFG./OPS.	I. CHICKLIS	01/09/14	<p>INTERPRET DIMENSIONING AND TOLERANCING IN ACCORDANCE WITH ASME Y14.5M-2009</p> <p>TOLERANCES UNLESS OTHERWISE SPECIFIED</p> <p>DIMENSIONS ARE IN MILLIMETERS</p> <p>ANGLE: ±30'</p> <p>0 PLACE DECIMAL: ±0.5</p> <p>1 PLACE DECIMAL: ±0.25</p> <p>2 PLACE DECIMAL: ±0.13</p> <p>SURFACE ROUGHNESS 1.6/√</p>
APPROVALS		DATE															
DRAWN BY	M.LABONVILLE	01/09/14															
ELEC. ENG.	T. PETROPOULOS	01/09/14															
MECH. ENG.	S.JOHNSON	01/09/14															
MFG./OPS.	I. CHICKLIS	01/09/14															
<p>THIS DRAWING IS UNPUBLISHED. RELEASED FOR PUBLICATION</p> <p>© Copyright 2022 TE Connectivity Ltd. ALL RIGHTS RESERVED.</p>		<p><b>S4906WBFNF</b></p> <p>SIZE <b>A3</b> DWG. NO. <b>S4906WBFNFMO</b> REV <b>AA</b></p> <p>SCALE: 1:1 PREVIOUS# SHEET 1 OF 1</p>															

6 5 4 3 2 1