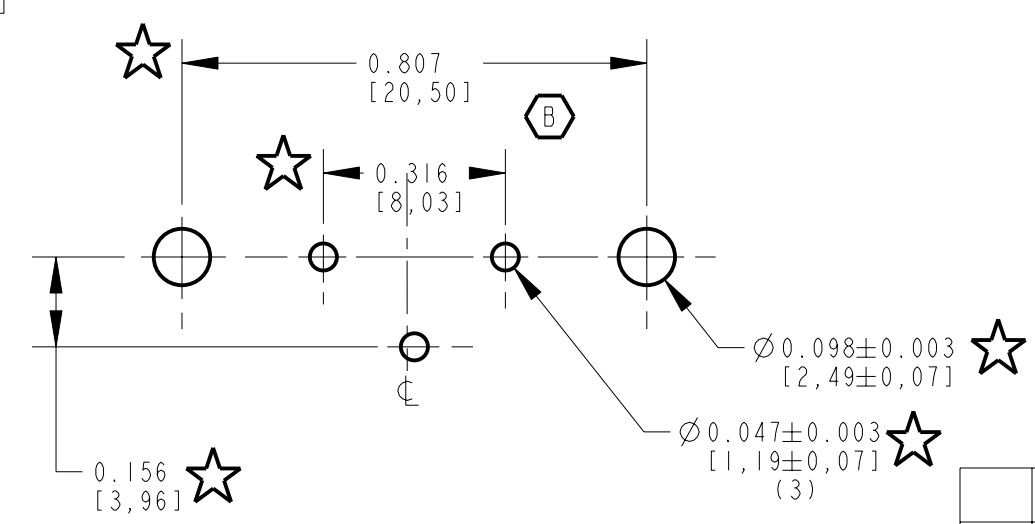
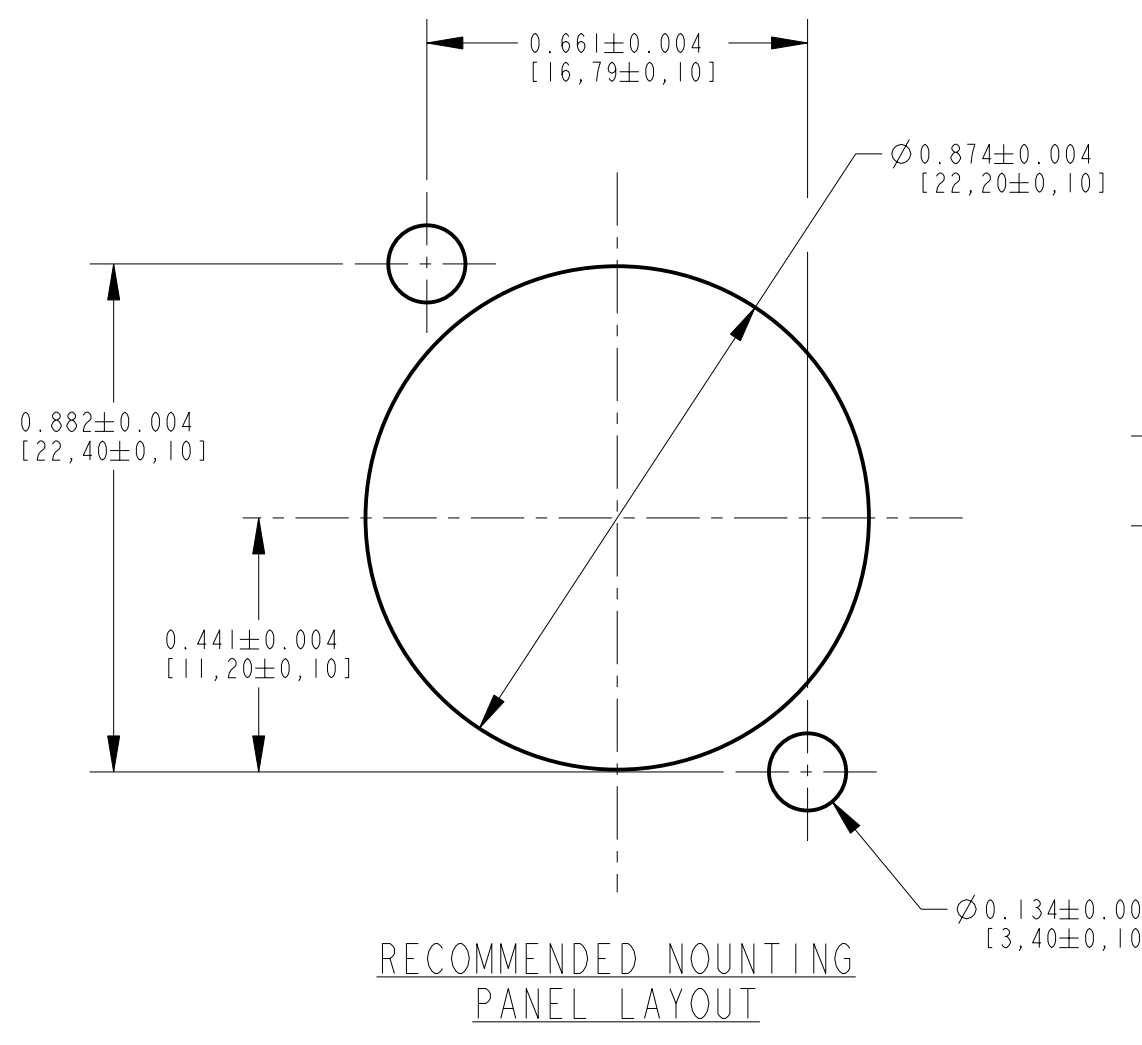


MATERIALS:

HOUSING - ZINC ALLOY, NICKEL PLATED
 CONTACTS - COPPER ALLOY, SILVER OR GOLD PLATED
 INSULATOR - THERMOPLASTIC, UL 94-V0 RATED.
 GROUND SPRING: HEAT TREATED STEEL OR COPPER ALLOY, TIN PLATED
 FERRITE: - NICKEL ZINC, K-100
 RATED CURRENT - 3 AMP
 SERVICE VOLTAGE - 133 VAC

PART NUMBER	CONTACT PLATING
F3MSTF	SILVER PLATED
F3MSTFAU	GOLD PLATED



CUSTOMER DRAWING

REVISIONS					PROPERTY				
REV	ECO NUMBER	DATE	BY	APVD	SIZE	WIDTH	MULT	LBS/M	TEMPER
C	24944	3-16-05	JL	EB					
B	24518	7-17-03	KJB	KJB					
A	22650	1-21-02	TJK	KJB					

☆ STAR SYMBOL DENOTES CRITICAL DIMENSION UNLESS OTHERWISE SPECIFIED 1. ALL DIMENSIONS IN INCHES - TWO PLACE DECIMALS ±0.01 - THREE PLACE DECIMALS ±0.005 - ANGLES ±1° - ALL DIA. CONCENTRIC WITHIN 0.005 T.I.R. 2. FEATURES ON THE SAME CENTERLINE MUST BE ALIGNED WITHIN ±0.002 3. REMOVE ALL BURRS DO NOT SCALE DRAWING									
THIS DRAWING DESCRIBES A DESIGN CONSIDERED PROPRIETARY IN NATURE, DEVELOPED AND MANUFACTURED BY SWITCHCRAFT INC. AND IS RELEASED ON A CONFIDENTIAL BASIS FOR IDENTIFICATION PURPOSES ONLY.					FINISH SPEC No. FIRST USED ON DATE DRAWN BY CHKD APVD 21-Jan-02 KJB TJK 1-21-02 KJB 1-21-02				
NAME: MALE 3 PIN OG ST/PC WITH FERRITE					MATERIAL SPEC No. SCALE 3:1 Switchcraft SHEET OF PART No. F3MSTF REV C				