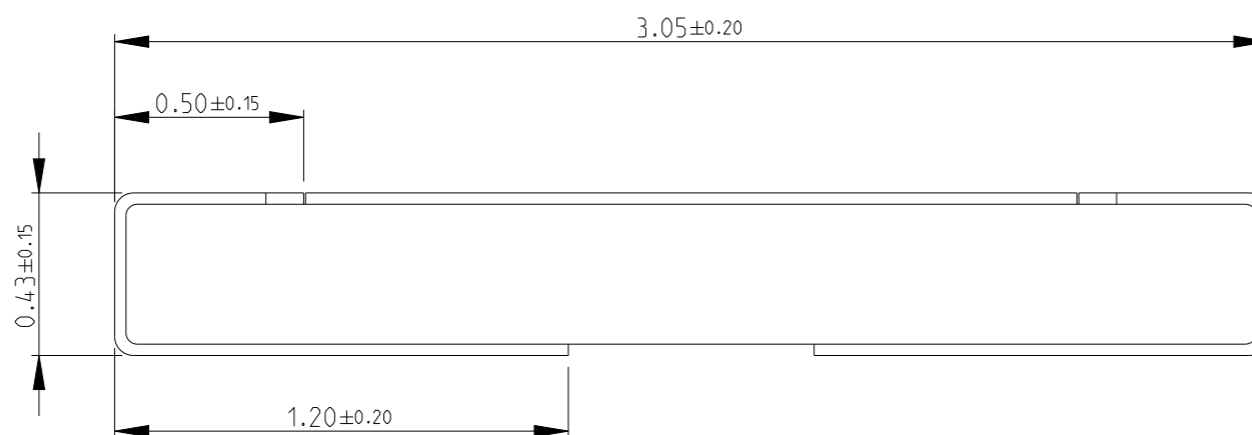
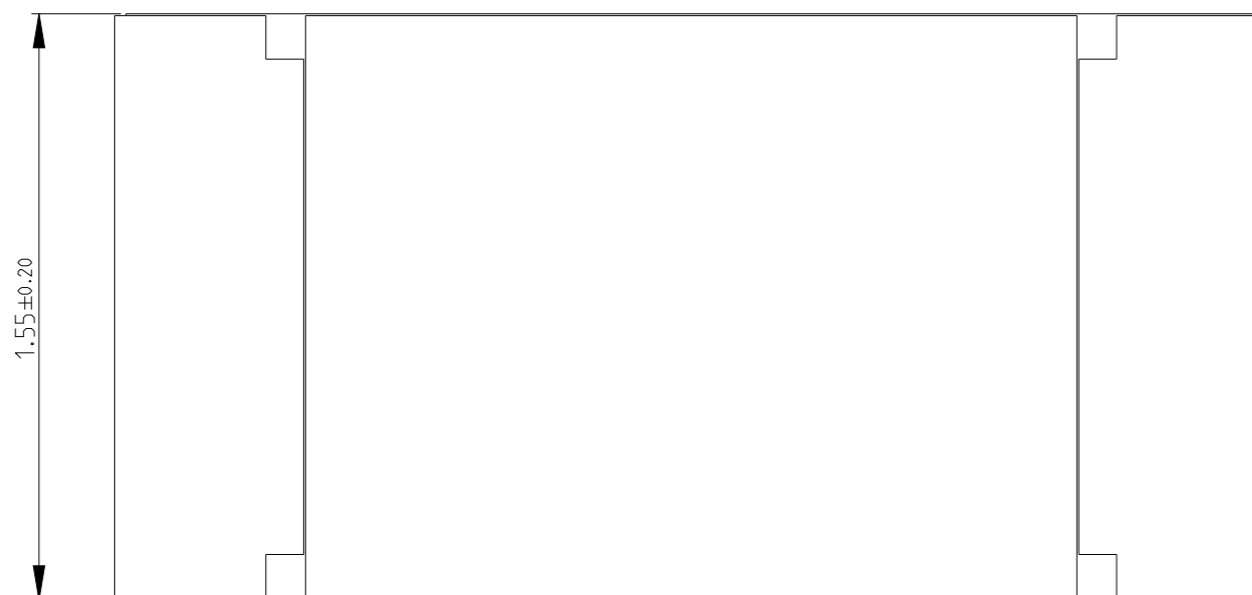


REVISIONS

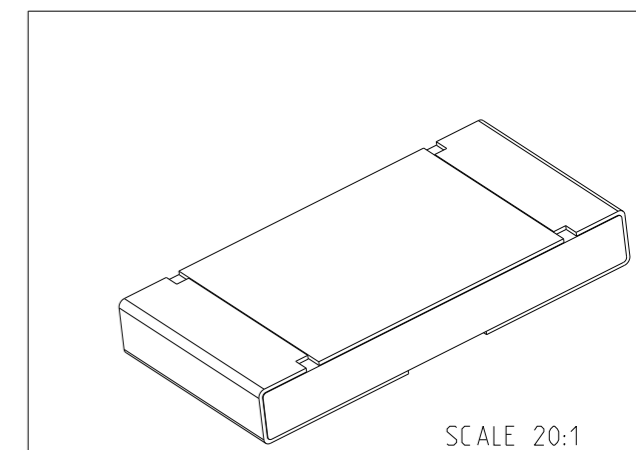
P	LTR	DESCRIPTION	DATE	DWN	APVD
	A	NEW DRAWING	01JUL2022	KS	AP

NOTES:

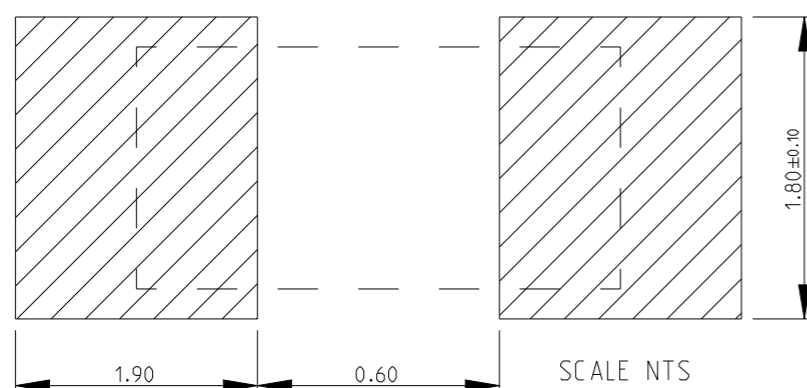
1. PCB WITH A COPPER THICKNESS OF TWO OUNCES SHOULD BE USED.
2. FOR FURTHER INFORMATION SEE DATA SHEET FOR 3503 SERIES ALUMINUM NITRIDE THIN FILM POWER RESISTORS.



RoHS Compliant



RECOMMENDED LAND PATTERN



THIS DRAWING IS A CONTROLLED DOCUMENT.		DWN KARTHIK. S 01JUL2022												
DIMENSIONS: mm		CHK ALLAN. P 01JUL2022												
TOLERANCES UNLESS OTHERWISE SPECIFIED:		APVD ALLAN. P 01JUL2022												
<table border="0"> <tr><td>0 PLC</td><td>±0.5</td></tr> <tr><td>1 PLC</td><td>±0.2</td></tr> <tr><td>2 PLC</td><td>±0.1</td></tr> <tr><td>3 PLC</td><td>±</td></tr> <tr><td>4 PLC</td><td>±</td></tr> <tr><td>ANGLES</td><td>±5°</td></tr> </table>		0 PLC				±0.5	1 PLC	±0.2	2 PLC	±0.1	3 PLC	±	4 PLC	±
0 PLC	±0.5													
1 PLC	±0.2													
2 PLC	±0.1													
3 PLC	±													
4 PLC	±													
ANGLES	±5°													
MATERIAL		FINISH	NAME <b>ALUMINIUM NITRIDE THIN FILM POWER RESISTOR TYPE 3503 SERIES</b>											
-		-	SIZE	CAGE CODE	DRAWING NO	RESTRICTED TO								
-		-	A3	00779	©=2176523	-								
CUSTOMER DRAWING			SCALE	SHEET	REV									
			50:1	1 OF 3	A									

REVISIONS

P	LTR	DESCRIPTION	DATE	DWN	APVD
-		SEE SHEET 1	-	-	-

SCHEDULE

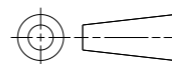
TCPN	CATALOGUE NUMBER	PART DESCRIPTION	PART STATUS
2176523-1	3503G2B51R1FTDF	3503G 2B 51R1 1% 1K RL	PRODUCTION
2176523-2	3503G2B52R3FTDF	3503G 2B 52R3 1% 1K RL	PRODUCTION
2176523-3	3503G2B53R6FTDF	3503G 2B 53R6 1% 1K RL	PRODUCTION
2176523-4	3503G2B54R9FTDF	3503G 2B 54R9 1% 1K RL	PRODUCTION
2176523-5	3503G2B56R2FTDF	3503G 2B 56R2 1% 1K RL	PRODUCTION
2176523-6	3503G2B57R6FTDF	3503G 2B 57R6 1% 1K RL	PRODUCTION
2176523-7	3503G2B59RFTDF	3503G 2B 59R 1% 1K RL	PRODUCTION
2176523-8	3503G2B60R4FTDF	3503G 2B 60R4 1% 1K RL	PRODUCTION
2176523-9	3503G2B61R9FTDF	3503G 2B 61R9 1% 1K RL	PRODUCTION
1-2176523-0	3503G2B63R4FTDF	3503G 2B 63R4 1% 1K RL	PRODUCTION
1-2176523-1	3503G2B64R9FTDF	3503G 2B 64R9 1% 1K RL	PRODUCTION
1-2176523-2	3503G2B66R5FTDF	3503G 2B 66R5 1% 1K RL	PRODUCTION
1-2176523-3	3503G2B68R1FTDF	3503G 2B 68R1 1% 1K RL	PRODUCTION
1-2176523-4	3503G2B69R8FTDF	3503G 2B 69R8 1% 1K RL	PRODUCTION
1-2176523-5	3503G2B71R5FTDF	3503G 2B 71R5 1% 1K RL	PRODUCTION
1-2176523-6	3503G2B73R2FTDF	3503G 2B 73R2 1% 1K RL	PRODUCTION
1-2176523-7	3503G2B75RFTDF	3503G 2B 75R 1% 1K RL	PRODUCTION
1-2176523-8	3503G2B76R8FTDF	3503G 2B 76R8 1% 1K RL	PRODUCTION
1-2176523-9	3503G2B78R7FTDF	3503G 2B 78R7 1% 1K RL	PRODUCTION
2-2176523-0	3503G2B80R6FTDF	3503G 2B 80R6 1% 1K RL	PRODUCTION
2-2176523-1	3503G2B82R5FTDF	3503G 2B 82R5 1% 1K RL	PRODUCTION
2-2176523-2	3503G2B84R5FTDF	3503G 2B 84R5 1% 1K RL	PRODUCTION
2-2176523-3	3503G2B86R6FTDF	3503G 2B 86R6 1% 1K RL	PRODUCTION
2-2176523-4	3503G2B88R7FTDF	3503G 2B 88R7 1% 1K RL	PRODUCTION
2-2176523-5	3503G2B90R9FTDF	3503G 2B 90R9 1% 1K RL	PRODUCTION
2-2176523-6	3503G2B93R1FTDF	3503G 2B 93R1 1% 1K RL	PRODUCTION
2-2176523-7	3503G2B95R3FTDF	3503G 2B 95R3 1% 1K RL	PRODUCTION
2-2176523-8	3503G2B97R6FTDF	3503G 2B 97R6 1% 1K RL	PRODUCTION
2-2176523-9	3503G2B100RFTDF	3503G 2B 100R 1% 1K RL	PRODUCTION
3-2176523-0	3503G2B102RFTDF	3503G 2B 102R 1% 1K RL	PRODUCTION

SCHEDULE

TCPN	CATALOGUE NUMBER	PART DESCRIPTION	PART STATUS
3-2176523-1	3503G2B105RFTDF	3503G 2B 105R 1% 1K RL	PRODUCTION
3-2176523-2	3503G2B107RFTDF	3503G 2B 107R 1% 1K RL	PRODUCTION
3-2176523-3	3503G2B110RFTDF	3503G 2B 110R 1% 1K RL	PRODUCTION
3-2176523-4	3503G2B113RFTDF	3503G 2B 113R 1% 1K RL	PRODUCTION
3-2176523-5	3503G2B115RFTDF	3503G 2B 115R 1% 1K RL	PRODUCTION
3-2176523-6	3503G2B118RFTDF	3503G 2B 118R 1% 1K RL	PRODUCTION
3-2176523-7	3503G2B121RFTDF	3503G 2B 121R 1% 1K RL	PRODUCTION
3-2176523-8	3503G2B124RFTDF	3503G 2B 124R 1% 1K RL	PRODUCTION
3-2176523-9	3503G2B127RFTDF	3503G 2B 127R 1% 1K RL	PRODUCTION
4-2176523-0	3503G2B130RFTDF	3503G 2B 130R 1% 1K RL	PRODUCTION
4-2176523-1	3503G2B133RFTDF	3503G 2B 133R 1% 1K RL	PRODUCTION
4-2176523-2	3503G2B137RFTDF	3503G 2B 137R 1% 1K RL	PRODUCTION
4-2176523-3	3503G2B140RFTDF	3503G 2B 140R 1% 1K RL	PRODUCTION
4-2176523-4	3503G2B143RFTDF	3503G 2B 143R 1% 1K RL	PRODUCTION
4-2176523-5	3503G2B147RFTDF	3503G 2B 147R 1% 1K RL	PRODUCTION
4-2176523-6	3503G2B150RFTDF	3503G 2B 150R 1% 1K RL	PRODUCTION
4-2176523-7	3503G2B154RFTDF	3503G 2B 154R 1% 1K RL	PRODUCTION
4-2176523-8	3503G2B158RFTDF	3503G 2B 158R 1% 1K RL	PRODUCTION
4-2176523-9	3503G2B162RFTDF	3503G 2B 162R 1% 1K RL	PRODUCTION
5-2176523-0	3503G2B165RFTDF	3503G 2B 165R 1% 1K RL	PRODUCTION
5-2176523-1	3503G2B169RFTDF	3503G 2B 169R 1% 1K RL	PRODUCTION
5-2176523-2	3503G2B174RFTDF	3503G 2B 174R 1% 1K RL	PRODUCTION
5-2176523-3	3503G2B178RFTDF	3503G 2B 178R 1% 1K RL	PRODUCTION
5-2176523-4	3503G2B182RFTDF	3503G 2B 182R 1% 1K RL	PRODUCTION
5-2176523-5	3503G2B187RFTDF	3503G 2B 187R 1% 1K RL	PRODUCTION
5-2176523-6	3503G2B191RFTDF	3503G 2B 191R 1% 1K RL	PRODUCTION
5-2176523-7	3503G2B196RFTDF	3503G 2B 196R 1% 1K RL	PRODUCTION
5-2176523-8	3503G2B200RFTDF	3503G 2B 200R 1% 1K RL	PRODUCTION
5-2176523-9	3503G2B205RFTDF	3503G 2B 205R 1% 1K RL	PRODUCTION
6-2176523-0	3503G2B210RFTDF	3503G 2B 210R 1% 1K RL	PRODUCTION

THIS DRAWING IS A CONTROLLED DOCUMENT.

DIMENSIONS:  
mm



TOLERANCES UNLESS OTHERWISE SPECIFIED:

0 PLC	±0.5
1 PLC	±0.2
2 PLC	±0.1
3 PLC	±
4 PLC	±
ANGLES	±5°

MATERIAL  
-

FINISH  
-

DWN KARTHIK. S 01JUL2022

CHK ALLAN. P 01JUL2022

APVD ALLAN. P 01JUL2022

PRODUCT SPEC

APPLICATION SPEC

WEIGHT -

CUSTOMER DRAWING



TE Connectivity

ALUMINIUM NITRIDE THIN FILM POWER RESISTOR TYPE 3503 SERIES

SIZE CAGE CODE DRAWING NO RESTRICTED TO

A3 00779 ©-2176523 -

SCALE 50:1 SHEET 2 OF 3 REV A

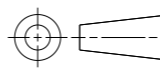
REVISIONS

P	LTR	DESCRIPTION	DATE	DWN	APVD
	-	SEE SHEET 1	-	-	-

SCHEDULE

TCPN	CATALOGUE NUMBER	PART DESCRIPTION	PART STATUS
6-2176523-1	3503G2B215RFTDF	3503G 2B 215R 1% 1K RL	PRODUCTION
6-2176523-2	3503G2B221RFTDF	3503G 2B 221R 1% 1K RL	PRODUCTION
6-2176523-3	3503G2B226RFTDF	3503G 2B 226R 1% 1K RL	PRODUCTION
6-2176523-4	3503G2B232RFTDF	3503G 2B 232R 1% 1K RL	PRODUCTION
6-2176523-5	3503G2B237RFTDF	3503G 2B 237R 1% 1K RL	PRODUCTION
6-2176523-6	3503G2B243RFTDF	3503G 2B 243R 1% 1K RL	PRODUCTION
6-2176523-7	3503G2B249RFTDF	3503G 2B 249R 1% 1K RL	PRODUCTION
6-2176523-8	3503G2B255RFTDF	3503G 2B 255R 1% 1K RL	PRODUCTION
6-2176523-9	3503G2B261RFTDF	3503G 2B 261R 1% 1K RL	PRODUCTION
7-2176523-0	3503G2B267RFTDF	3503G 2B 267R 1% 1K RL	PRODUCTION
7-2176523-1	3503G2B274RFTDF	3503G 2B 274R 1% 1K RL	PRODUCTION
7-2176523-2	3503G2B280RFTDF	3503G 2B 280R 1% 1K RL	PRODUCTION
7-2176523-3	3503G2B287RFTDF	3503G 2B 287R 1% 1K RL	PRODUCTION
7-2176523-4	3503G2B294RFTDF	3503G 2B 294R 1% 1K RL	PRODUCTION
7-2176523-5	3503G2B301RFTDF	3503G 2B 301R 1% 1K RL	PRODUCTION
7-2176523-6	3503G2B309RFTDF	3503G 2B 309R 1% 1K RL	PRODUCTION
7-2176523-7	3503G2B316RFTDF	3503G 2B 316R 1% 1K RL	PRODUCTION
7-2176523-8	3503G2B324RFTDF	3503G 2B 324R 1% 1K RL	PRODUCTION
7-2176523-9	3503G2B332RFTDF	3503G 2B 332R 1% 1K RL	PRODUCTION
8-2176523-0	3503G2B340RFTDF	3503G 2B 340R 1% 1K RL	PRODUCTION
8-2176523-1	3503G2B348RFTDF	3503G 2B 348R 1% 1K RL	PRODUCTION
8-2176523-2	3503G2B357RFTDF	3503G 2B 357R 1% 1K RL	PRODUCTION
8-2176523-3	3503G2B365RFTDF	3503G 2B 365R 1% 1K RL	PRODUCTION
8-2176523-4	3503G2B374RFTDF	3503G 2B 374R 1% 1K RL	PRODUCTION
8-2176523-5	3503G2B383RFTDF	3503G 2B 383R 1% 1K RL	PRODUCTION
8-2176523-6	3503G2B392RFTDF	3503G 2B 392R 1% 1K RL	PRODUCTION
8-2176523-7	3503G2B402RFTDF	3503G 2B 402R 1% 1K RL	PRODUCTION
8-2176523-8	3503G2B412RFTDF	3503G 2B 412R 1% 1K RL	PRODUCTION
8-2176523-9	3503G2B422RFTDF	3503G 2B 422R 1% 1K RL	PRODUCTION
9-2176523-0	3503G2B432RFTDF	3503G 2B 432R 1% 1K RL	PRODUCTION
9-2176523-1	3503G2B442RFTDF	3503G 2B 442R 1% 1K RL	PRODUCTION
9-2176523-2	3503G2B453RFTDF	3503G 2B 453R 1% 1K RL	PRODUCTION
9-2176523-3	3503G2B464RFTDF	3503G 2B 464R 1% 1K RL	PRODUCTION
9-2176523-4	3503G2B475RFTDF	3503G 2B 475R 1% 1K RL	PRODUCTION
9-2176523-5	3503G2B487RFTDF	3503G 2B 487R 1% 1K RL	PRODUCTION
9-2176523-6	3503G2B499RFTDF	3503G 2B 499R 1% 1K RL	PRODUCTION
9-2176523-7	3503G2B511RFTDF	3503G 2B 511R 1% 1K RL	PRODUCTION
9-2176523-8	3503G2B523RFTDF	3503G 2B 523R 1% 1K RL	PRODUCTION
9-2176523-9	3503G2B536RFTDF	3503G 2B 536R 1% 1K RL	PRODUCTION

THIS DRAWING IS A CONTROLLED DOCUMENT.

DIMENSIONS: mm	TOLERANCES UNLESS OTHERWISE SPECIFIED:
	0 PLC ±0.5 1 PLC ±0.2 2 PLC ±0.1 3 PLC ± 4 PLC ± ANGLES ±5°
MATERIAL	FINISH
-	-
-	-

DWN KARTHIK. S	01JUL2022
CHK ALLAN. P	01JUL2022
APVD ALLAN. P	01JUL2022
PRODUCT SPEC	-
APPLICATION SPEC	-
WEIGHT	-
CUSTOMER DRAWING	



NAME ALUMINIUM NITRIDE THIN FILM POWER RESISTOR TYPE 3503 SERIES			
SIZE A3	CAGE CODE 00779	DRAWING NO C=2176523	RESTRICTED TO -
SCALE 50:1	SHEET 3 OF 3	REV A	