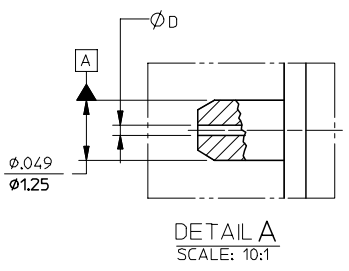
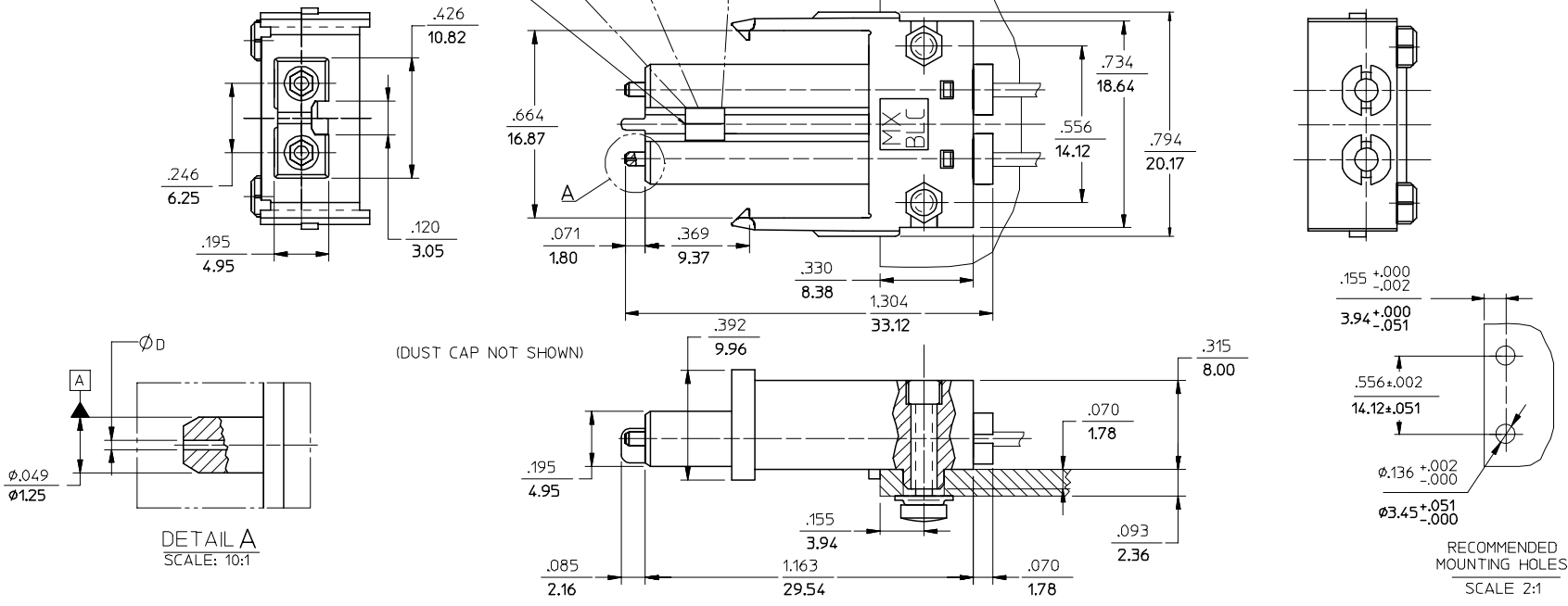
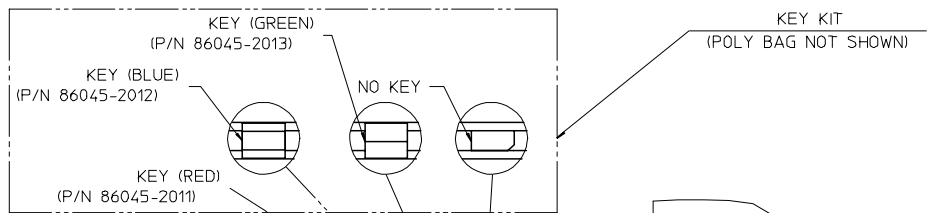


CONNECTOR P/N	ØD (Hm)
106045-2200	125.50
106045-3000	127.00
106045-4200	125.00
106045-5000	126.00
106045-6200	125.25



RECOMMENDED MOUNTING HOLES  
SCALE 2:1

NOTES:  
1. KEYS ARE TO BE PACKAGED UNASSEMBLED WITH CONNECTOR IN POLY BAG.

ENTER DESCRIPTION EC NO: MF2007-0349 DRWNGKPEVNER CHKD: 2006/11/28 APPR: IGUMIN 2006/12/04	QUALITY SYMBOLS ▽=0 ▽=0	GENERAL TOLERANCES (UNLESS SPECIFIED)		DIMENSION STYLE IN/MM	SCALE 4:1	DESIGN UNITS INCH	THIRD ANGLE PROJECTION	
		mm	INCH	DRAWN BY PGIBL IN	DATE 2005/10/18	TITLE BLC CONNECTOR (2 POSITION)		
		4 PLACES ± ---	± ---	CHECKED BY	DATE	APPROVED BY		
		3 PLACES ± ---	± ---	DATE		DATE		
2 PLACES ± ---	± ---	APPROVED BY		MATERIAL NO. SEE TABLE			DOCUMENT NO. SD-106045-ZZZO	
1 PLACE ± ---	± ---	ANGULAR ±1/2°		SHEET NO. 1 OF 01				
DRAFT WHERE APPLICABLE MUST REMAIN WITHIN DIMENSIONS		THIS DRAWING CONTAINS INFORMATION THAT IS PROPRIETARY TO MOLEX INCORPORATED AND SHOULD NOT BE USED WITHOUT WRITTEN PERMISSION						