

175020-1 ✓ ACTIVE

Positive Lock | Positive Lock 250

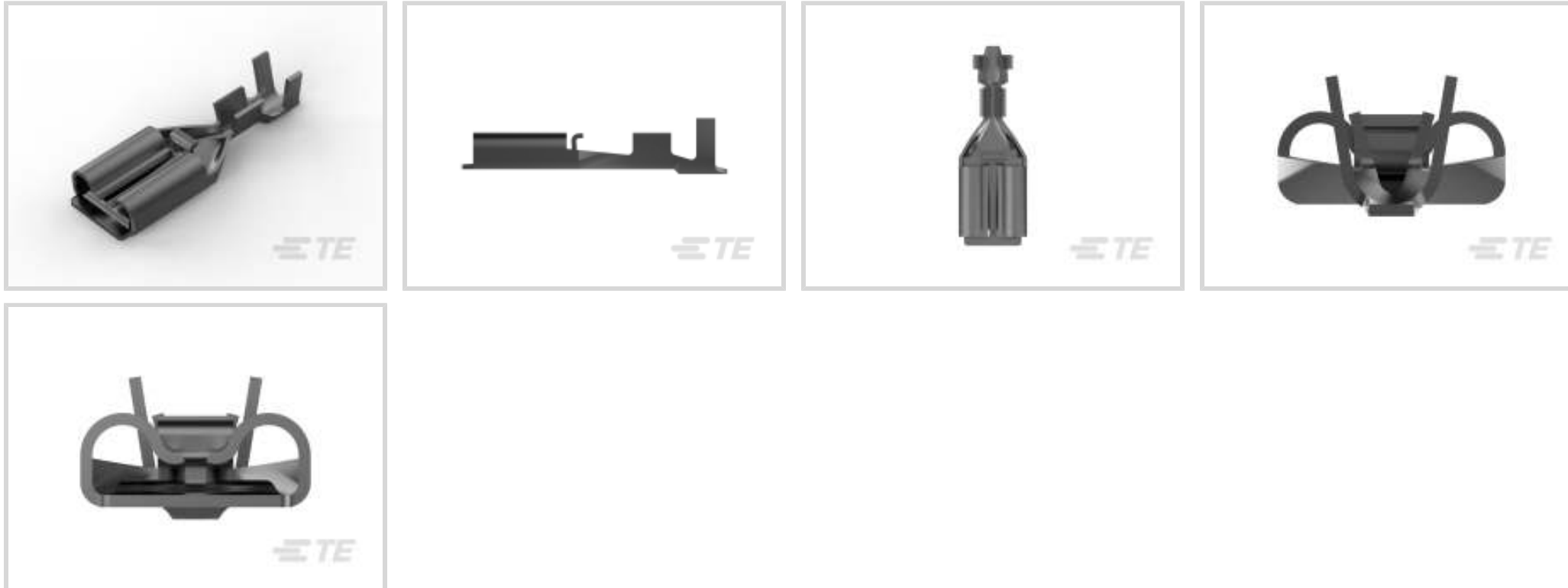
TE Internal #: 175020-1

Quick Disconnects, Receptacle, 22 – 18 AWG Wire Size, .32 – .82 mm<sup>2</sup> Wire Size, Mating Tab Width 6.35 mm [.25 in], Straight, Brass, Positive Lock 250

[View on TE.com >](#)



Terminals & Splices > Quick Disconnects



Quick Disconnect Terminal Type: **Receptacle**

Wire Size: .32 – .82 mm<sup>2</sup>

Mating Tab Width: 6.35 mm [.25 in]

Mating Tab Thickness: .81 mm [.032 in]

## Features

### Configuration Features

Connection Capacity	Single
Compatible With Wire & Cable Type	Discrete Wire

### Electrical Characteristics

Voltage Rating	250 V
----------------	-------

### Contact Features

Quick Disconnect Terminal Type	Receptacle
Mating Tab Width	6.35 mm [.25 in]
Mating Tab Thickness	.81 mm [.032 in]
Terminal Orientation	Straight
Contact Base Material	Brass
Terminal Plating Material	Pre-Tin
Crimp Type	F-Crimp
Barrel Type	Open

### Termination Features

--	--



Product Terminates To	Wire & Cable
-----------------------	--------------

### Mechanical Attachment

Wire Insulation Support	With
-------------------------	------

### Dimensions

Terminal Material Thickness	.41 mm[.016 in]
Product Length	21.2 mm[.834 in]
Compatible Insulation Diameter Range	1.5 – 3.1 mm[.059 – .122 in]
Wire Size	.32 – .82 mm <sup>2</sup>

### Usage Conditions

Insulation Option	Uninsulated
Operating Temperature Range	-40 – 110 °C[-40 – 230 °F]

### Packaging Features

Packaging Quantity	5000
Packaging Method	Strip/Reel

### Product Compliance

[For compliance documentation, visit the product page on TE.com>](#)

EU RoHS Directive 2011/65/EU	Compliant
EU ELV Directive 2000/53/EC	Compliant
China RoHS 2 Directive MIIT Order No 32, 2016	No Restricted Materials Above Threshold
EU REACH Regulation (EC) No. 1907/2006	Current ECHA Candidate List: JUNE 2023 (235) Candidate List Declared Against: JAN 2023 (233) Does not contain REACH SVHC
Halogen Content	Low Halogen - Br, Cl, F, I < 900 ppm per homogenous material. Also BFR/CFR/PVC Free
Solder Process Capability	Not applicable for solder process capability

#### Product Compliance Disclaimer

This information is provided based on reasonable inquiry of our suppliers and represents our current actual knowledge based on the information they provided. This information is subject to change. The part numbers that TE has identified as EU RoHS compliant have a maximum concentration of 0.1% by weight in homogenous materials for lead, hexavalent chromium, mercury, PBB, PBDE, DBP, BBP, DEHP, DIBP, and 0.01% for cadmium, or qualify for an exemption to these limits as defined in the Annexes of Directive 2011/65/EU (RoHS2). Finished electrical and electronic equipment products will be CE marked as required by Directive 2011/65/EU. Components may not be CE marked. Additionally, the part numbers that TE has identified as EU ELV compliant have a maximum concentration of 0.1% by weight in homogenous materials for lead, hexavalent chromium, and mercury, and 0.01% for cadmium, or qualify for an exemption to these limits

as defined in the Annexes of Directive 2000/53/EC (ELV). Regarding the REACH Regulation, the information TE provides on SVHC in articles for this part number is based on the latest European Chemicals Agency (ECHA) 'Guidance on requirements for substances in articles' posted at this URL: <https://echa.europa.eu/guidance-documents/guidance-on-reach>

## Compatible Parts



TE Part # 2232343-1  
250 PL EX FLAG REC. 18-12AWG PTBR



TE Part # 2391865-1  
POSITIVE LOCK 250 (6.3 MM) SLEEVE



TE Part # 2391865-2  
250 sleeve PL YELLOW transparent



TE Part # 175022-2  
250 POSITIVE REC EX MK-2



TE Part # 2-2150040-2  
OCEAN\_2.0\_Applicator-E-080F140F



TE Part # 2150040-2  
OCEAN\_2.0\_Applicator-E-080F140F



TE Part # 2232343-2  
250 PL EX FLAG REC. 18-12AWG PTBR FLAT



TE Part # 2376582-2  
250 FASTON PCB TAB TPBR



TE Part # 2376591-2  
250 FASTON PCB TAB TPBR



TE Part # 2376595-2  
250 FASTON PCB TAB TPBR

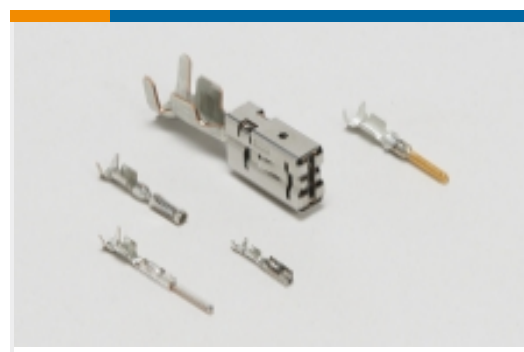


TE Part # 7-2150040-2  
OCEAN\_2.0\_Applicator-E-080F140F




TE Part # 7-2150040-7  
OCEAN\_2.0\_SPARE\_PART\_KIT-080F140F


## Also in the Series | Positive Lock 250



Automotive Terminals(1)



Crimp Terminal Housings(193)



Insertion & Extraction Tools(3)



Insulation Boots & Sleeves(4)



Quick Disconnects(186)

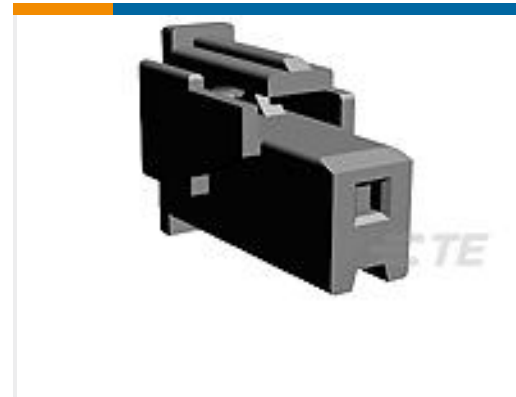
## Customers Also Bought



TE Part #5-177899-1  
POWER DBL LOCK PLUG HSG 3P  
(GWT)



TE Part #4-284866-6  
DUOPLUG 2.5 6P, SIDE LOCK, SEL.  
LOADED



TE Part #4-1123823-1  
EP 1P PLUG RED



TE Part #5-917698-1  
2.5 SIGNAL DBL LOCK D.L.P 2P



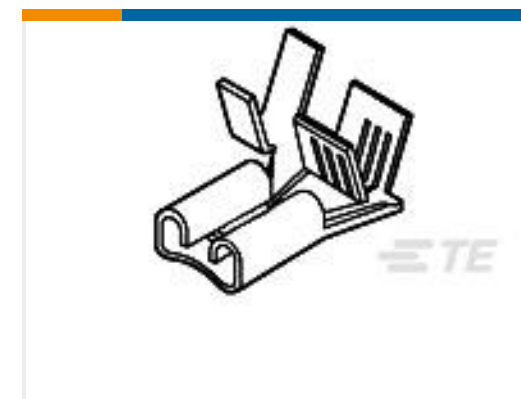
TE Part #5-179464-1  
POWER DBL LOCK CAP HSG F/H 3P  
(GWT)



TE Part #1743728-1  
FG TERMINAL



TE Part #2-1743216-1  
GAS VALVE 2P HSG GWT



TE Part #63512-3  
187 FASTON FLAG REC 18-14 AWG  
BR

## Documents

### Product Drawings

250 PL EX REC. 22-18AWG PTBR

English

### CAD Files

3D PDF

3D

Customer View Model

[ENG\\_CVM\\_CVM\\_175020-1\\_H\\_c-175020-1-h.2d\\_dxf.zip](#)

English

Customer View Model

[ENG\\_CVM\\_CVM\\_175020-1\\_H\\_c-175020-1-h.3d\\_igs.zip](#)

English

Customer View Model

[ENG\\_CVM\\_CVM\\_175020-1\\_H\\_c-175020-1-h.3d\\_stp.zip](#)

English

By downloading the CAD file I accept and agree to the [Terms and Conditions](#) of use.



---

### Product Specifications

#### Application Specification

English

---

### Product Environmental Compliance

#### MD\_175020-1\_11162018853\_dmtec

English

#### MD\_175020-1\_11162018853\_dmtec

English

---

### Instruction Sheets

#### Instruction Sheet (non U.S.)

English

#### POSITIVE LOCK EX CONTACT

English

---

### Agency Approvals

#### Agency Approval Document

English