



6A to 30A, 250VAC EMC Filters

Features	Benefits
• Wide Band, High Attenuation	• Improved Low Frequency Performance
• High Voltage Pulse Attenuation	• Protects Against Input Transients
• Integral Terminal Cover	• No Lost Parts
• Conforms to UL, CSA and EN Safety Agency Certifications	• Global Use

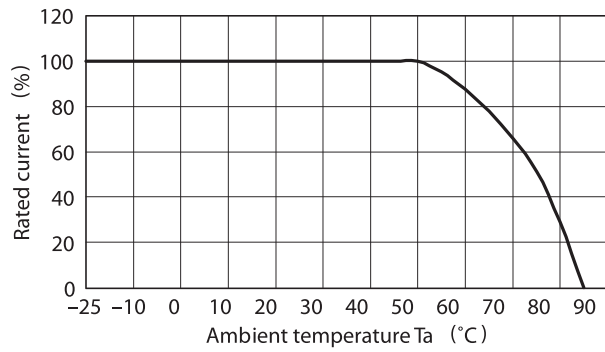


Specification		RSKN-2006	RSKN-2010	RSKN-2020	RSKN-2030
Rated Voltage (AC, DC)	V	250V			
Rated Current	A	6A	10A	20A	30A
Withstand Voltage	V	Terminals to Case: 2500VAC (1 Minute)			
Isolation Resistance	MΩ	100MΩ minimum (500VDC, 1 Minute)			
Leakage Current (max)	A	1mA (250VAC, 60Hz)			
DC Resistance (total)	mΩ	300	100	20	10
Operating Temperature	°C	-25°C to +85°C (See derating curves)			
Storage Temperature	°C	-25°C to +85°C			
Safety Agency Certifications	-	UL1283, CSA C22.2 No.8, EN60939			
Weight	g	220g	310g	530g	660g
Size (W x L x H)	mm	47 x 107 x 26	47 x 117 x 30	52 x 151 x 35	67 x 151 x 35
Warranty	yr	5			

Derating Curve RSKN Series

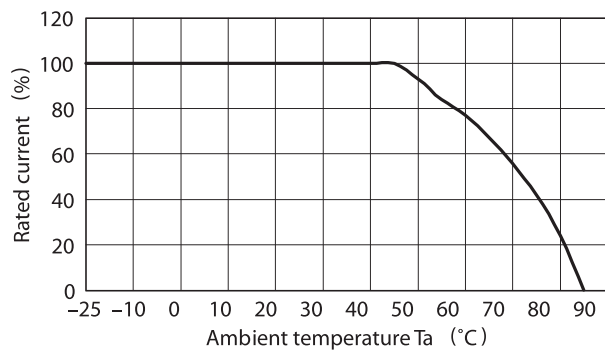
Derating (A)

RSKN-2006/-2010



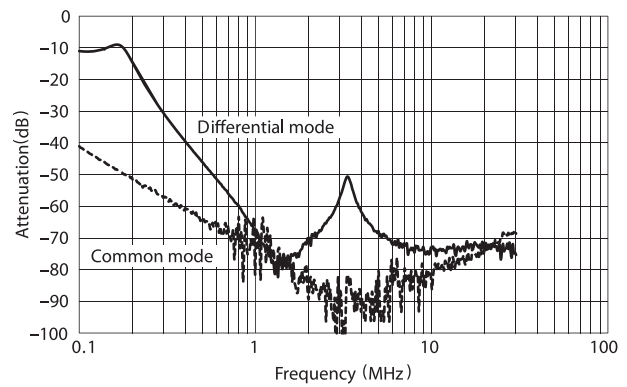
Derating (B)

RSKN-2020/-2030

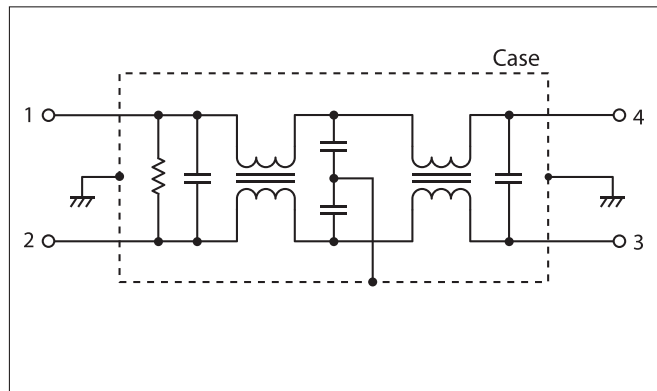


Attenuation Characteristics RSKN Series

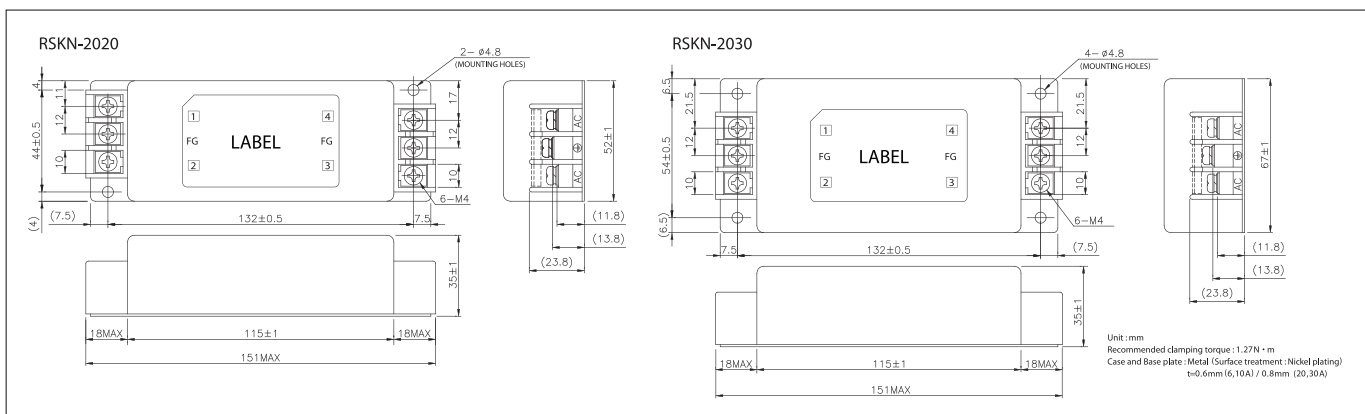
RSKN-2010



Circuit Diagram RSEV Series



Outline Drawing RSKN Series





TDK-Lambda France SAS

Tel: +33 1 60 12 71 65
tlf.fr.powersolutions@tdk.com
www.emea.lambda.tdk.com/fr



Italy Sales Office

Tel: +39 02 61 29 38 63
tlf.it.powersolutions@tdk.com
www.emea.lambda.tdk.com/it



Netherlands

tlf.nl.powersolutions@tdk.com
www.emea.lambda.tdk.com/nl



TDK-Lambda Germany GmbH

Tel: +49 7841 666 0
tlg.powersolutions@tdk.com
www.emea.lambda.tdk.com/de



Austria Sales Office

Tel: +43 2256 655 84
tlg.at.powersolutions@tdk.com
www.emea.lambda.tdk.com/at



Switzerland Sales Office

Tel: +41 44 850 53 53
tlg.ch.powersolutions@tdk.com
www.emea.lambda.tdk.com/ch



Nordic Sales Office

Tel: +45 8853 8086
tlg.dk.powersolutions@tdk.com
www.emea.lambda.tdk.com/dk



TDK-Lambda UK Ltd.

Tel: +44 (0) 12 71 85 66 66
tlu.powersolutions@tdk.com
www.emea.lambda.tdk.com/uk



TDK-Lambda Ltd.

Tel: +9 723 902 4333
tli.powersolutions@tdk.com
www.emea.lambda.tdk.com/il-en



TDK-Lambda Americas

Tel: +1 800-LAMBDA-4 or 1-800-526-2324
tla.powersolutions@tdk.com
www.us.lambda.tdk.com



TDK Electronics do Brasil Ltda

Tel: +55 11 3289-9599
sales.br@tdk-electronics.tdk.com
www.tdk-electronics.tdk.com/en



TDK-Lambda Corporation

Tel: +81-3-6778-1113
www.jp.lambda.tdk.com



TDK-Lambda (China) Electronics Co. Ltd.

Tel: +86 21 6485-0777
tlc.powersolutions@tdk.com
www.lambda.tdk.com.cn



TDK-Lambda Singapore Pte Ltd.

Tel: +65 6251 7211
tfs.marketing@tdk.com
www.sg.lambda.tdk.com



TDK India Private Limited, Power Supply Division

Tel: +91 80 4039-0660
mathew.philip@tdk.com
www.sg.lambda.tdk.com

