

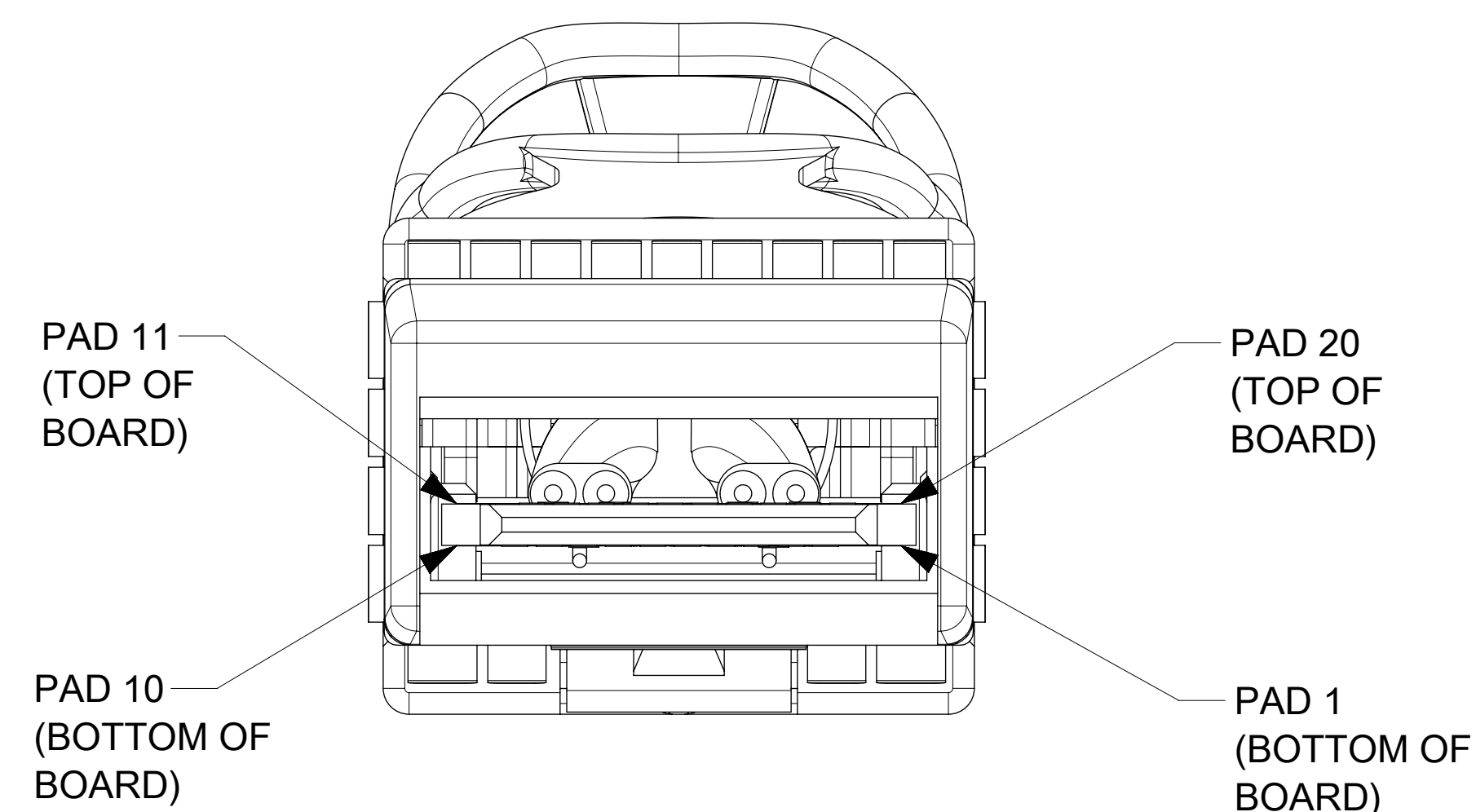
- NOTES:**
- MATERIALS**
 BACKSHELLS- NICKEL PLATED ZINC
 DE-LATCH - PLASTIC
 PCB - FR-4
 RIVETS - STAINLESS STEEL
 - IMPEDANCE - 100 OHMS DIFFERENTIAL, PASSIVE**
 - PULL TO RELEASE, PLUNGER STYLE LATCH**
 - EACH ASSEMBLY HAS A SERIAL ID**
 - 11.09 Gbps BACKWARDS COMPATIBLE TO 1.0625 Gbps**
 - RoHS COMPLIANT, NO EXEMPTIONS**

FUNCTIONAL SYMBOLS $\nabla_A = 0$ $\nabla_C = 0$ $\nabla_D = 0$ DIVISIONAL SYMBOLS	THIS DRAWING CONTAINS INFORMATION THAT IS PROPRIETARY TO MOLEX ELECTRONIC TECHNOLOGIES, LLC AND SHOULD NOT BE USED WITHOUT WRITTEN PERMISSION		CURRENT REV DESC: ADDED 3M_30AWG, 5M_26AWG & 7M_24AWG LENGTH TO PN TABLE IN SHEET 3						
	DIMENSION UNITS mm	SCALE 2:1	GENERAL TOLERANCES (UNLESS SPECIFIED) ANGULAR TOL $\pm 2.0^\circ$				PRODUCT CUSTOMER DRAWING		
	4 PLACES \pm 3 PLACES \pm 2 PLACES ± 0.13 1 PLACE ± 0.25 0 PLACES \pm	EC NO: 662101 DRWN: VITTAD 2021/03/30 CHK'D: ADITHK 2021/04/27 APPR: KNAGANNA 2021/04/27		INITIAL REVISION: DRWN: DRAMIREZ02 2016/11/17 APPR: ARAYBURN 2016/11/22		DOCUMENT NUMBER 747520001	DOC TYPE PSD	DOC PART 000	REVISION W
	DRAFT WHERE APPLICABLE MUST REMAIN WITHIN DIMENSIONS	THIRD ANGLE PROJECTION 	DRAWING D-SIZE	SERIES 74752	MATERIAL NUMBER SEE PN TABLE	CUSTOMER GENERAL MARKET	SHEET NUMBER 1 OF 3		

WIRING DIAGRAM				
P1 END			P2 END	
PAD	SIGNAL		PAD	SIGNAL
12	RD-	<-----	19	TD-
13	RD+	<-----	18	TD+
18	TD+	----->	13	RD+
19	TD-	----->	12	RD-

LOW SPEED SIGNALS	
SFP+	
PAD	SIGNAL
02	Tx_Fault
03	Tx_Disable
04	SDA
05	SCL
06	Mod_ABS
07	RS0
08	Rx_LOS
09	RS1
15	VccR
16	VccT

CUSTOM LENGTHS AVAILABLE.
LONGER LENGTH APPLICATIONS REQUIRE
HOST SYSTEM PRE-EMPHASIS AND
EQUALIZATION.
SEE DATASHEET FOR MORE INFORMATION.



FUNCTIONAL SYMBOLS	THIS DRAWING CONTAINS INFORMATION THAT IS PROPRIETARY TO MOLEX ELECTRONIC TECHNOLOGIES, LLC AND SHOULD NOT BE USED WITHOUT WRITTEN PERMISSION		
	DIMENSION UNITS	SCALE	CURRENT REV DESC: ADDED 3M_30AWG, 5M_26AWG & 7M_24AWG LENGTH TO PN TABLE IN SHEET 3
$F_A = 0$	mm	7:1	GENERAL TOLERANCES (UNLESS SPECIFIED)
$F_C = 0$	ANGULAR TOL $\pm 2.0^\circ$		
$F_P = 0$	4 PLACES \pm		INITIAL REVISION:
DIVISIONAL SYMBOLS	3 PLACES \pm		
	2 PLACES ± 0.13		APPR: ARAYBURN 2016/11/22
	1 PLACE ± 0.25		DRWN: DRAMIREZ02 2016/11/17
	0 PLACES \pm		APPR: ARAYBURN 2016/11/22
DRAFT WHERE APPLICABLE MUST REMAIN WITHIN DIMENSIONS		THIRD ANGLE PROJECTION	DRAWING SERIES
			D-SIZE 74752
DOCUMENT STATUS	P1	RELEASE DATE	2021/04/27 12:43:09
DOCUMENT NUMBER		DOC TYPE	DOC PART
747520001		PSD	000 W
MATERIAL NUMBER		CUSTOMER	SHEET NUMBER
SEE PN TABLE		GENERAL MARKET	2 OF 3

molex

SFP+ TO SFP+ 10G PASSIVE CABLE ASSEMBLY

PRODUCT CUSTOMER DRAWING

DOCUMENT NUMBER DOC TYPE DOC PART REVISION

747520001

PSD 000 W

MATERIAL NUMBER CUSTOMER SHEET NUMBER

SEE PN TABLE GENERAL MARKET

2 OF 3

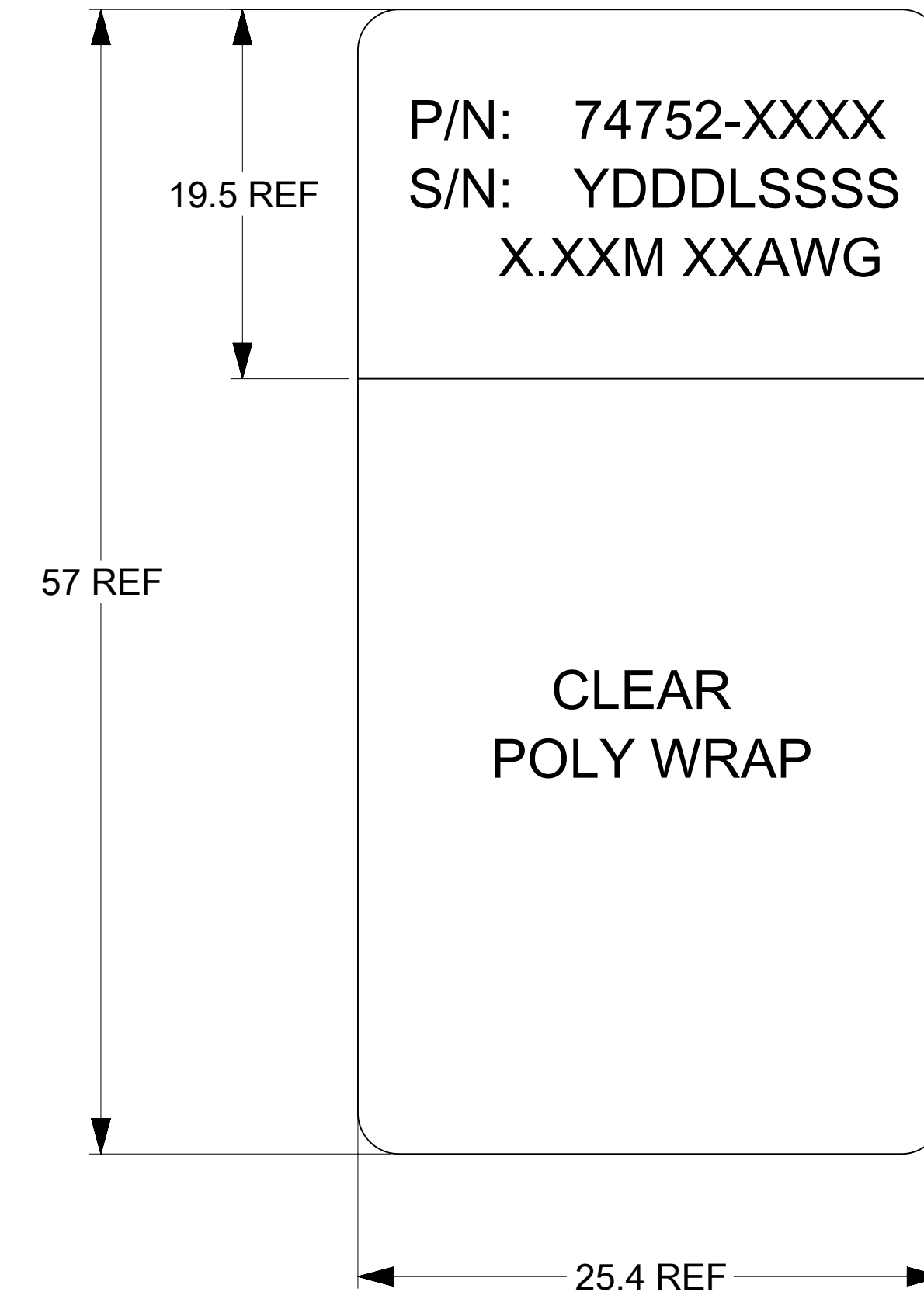
PART NUMBER TABLE

PART NUMBER	LENGTH	TOL.	AWG
747521031	0.30M	± 0.03M	30
747521051	0.50M	± 0.05M	30
747521101	1.0M	± 0.05M	30
747521305	3.0M	± 0.05M	30
747521701	7.0M	± 0.08M	30
747521801	8.0M	± 0.08M	30
747521901	9.0M	± 0.08M	30
747529001	10.0M	± 0.08M	30
747522101	1.0M	± 0.05M	28
747522301	3.0M	± 0.05M	28
747522501	5.0M	± 0.08M	28
747522901	9.0M	± 0.08M	28
747529010	15.0M	± 0.08M	28

PART NUMBER	LENGTH	TOL.	AWG
747523061	0.60M	± 0.03M	26
747523201	2.0M	± 0.05M	26
747523505	5.0M	± 0.08M	26
747523901	9.0M	± 0.08M	26
747524501	5.0M	± 0.08M	24
747524705	7.0M	± 0.08M	24
747529013	11.0M	± 0.08M	24
747529015	13.0M	± 0.08M	24
747529016	14.0M	± 0.08M	24

*1M AND SHORTER LENGTH CABLES ARE NOT FULLY COMPLIANCE WITH SFF-8431 FOR SCC11.

CABLE LABEL DETAIL



YDDDLSSSS
 Y---YEAR, THE LAST DIGIT OF THE YEAR
 DDD---DAY OF THE YEAR
 L---LOCATION (1=US, 2=MEXICO, 3=CHINA, 4=PHILIPPINES)
 SSSS---SERIAL NUMBER (0001-9999)

X.XXM---LENGTH AS SHOWN IN P/N TABLE

XXAWG---AWG SIZE

FUNCTIONAL SYMBOLS FA = 0 FC = 0 FD = 0	THIS DRAWING CONTAINS INFORMATION THAT IS PROPRIETARY TO MOLEX ELECTRONIC TECHNOLOGIES, LLC AND SHOULD NOT BE USED WITHOUT WRITTEN PERMISSION		CURRENT REV DESC: ADDED 3M_30AWG, 5M_26AWG & 7M_24AWG LENGTH TO PN TABLE IN SHEET 3		molex
	DIMENSION UNITS mm	SCALE 1:1	GENERAL TOLERANCES (UNLESS SPECIFIED) ANGULAR TOL ± 2.0°		
DIVISIONAL SYMBOLS	4 PLACES ±	3 PLACES ±	2 PLACES ± 0.13	1 PLACE ± 0.25	PRODUCT CUSTOMER DRAWING
	0 PLACES ±	INITIAL REVISION: DRWN: DRAMIREZ02 2016/11/17 APPR: ARAYBURN 2016/11/22		DOCUMENT NUMBER 747520001	DOC TYPE PSD
	DRAFT WHERE APPLICABLE MUST REMAIN WITHIN DIMENSIONS		THIRD ANGLE PROJECTION	DRAWING D-SIZE	SERIES 74752
				MATERIAL NUMBER SEE PN TABLE	CUSTOMER GENERAL MARKET
					REVISION W
					SHEET NUMBER 3 OF 3