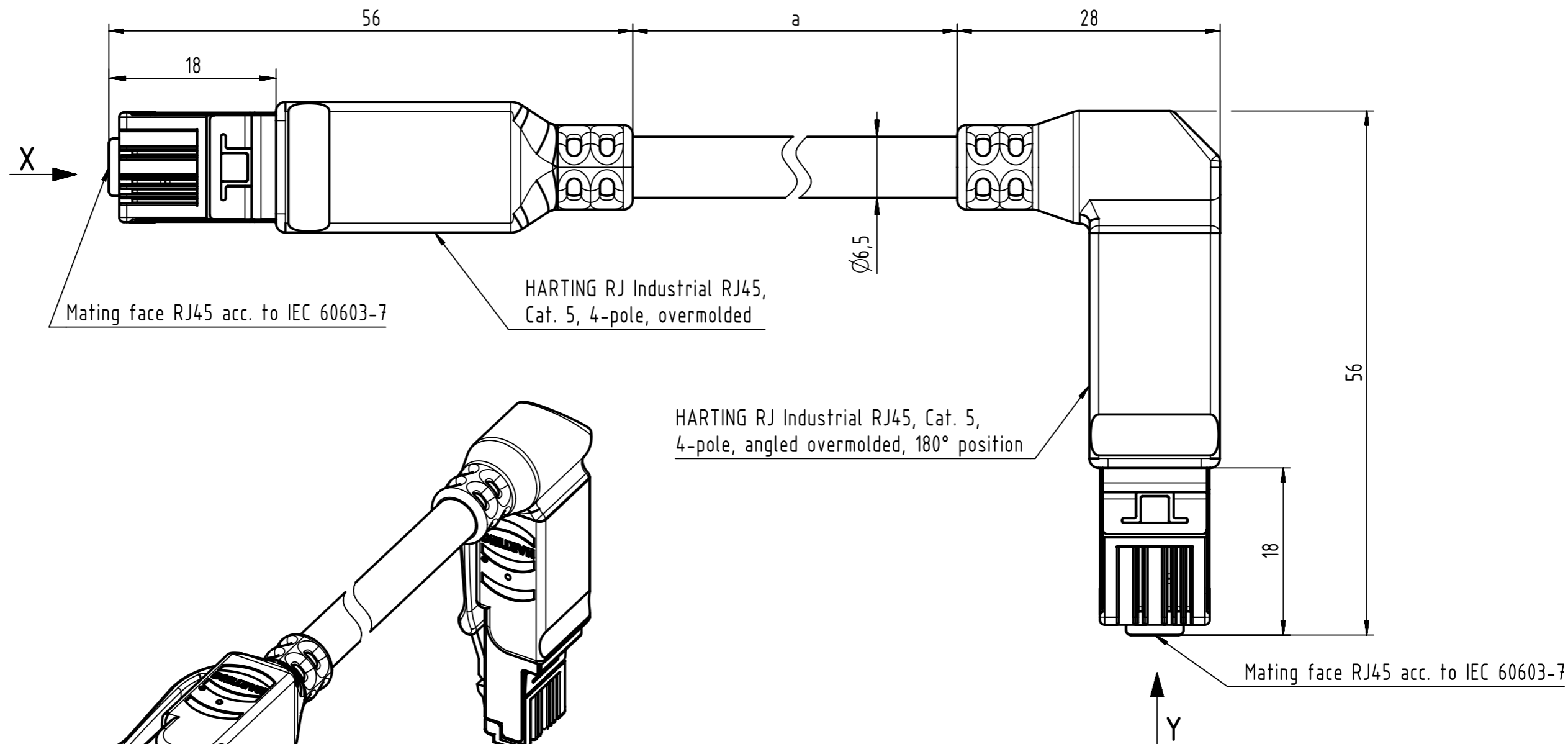


Connector Location A

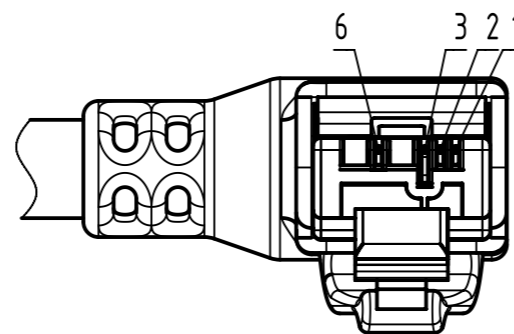
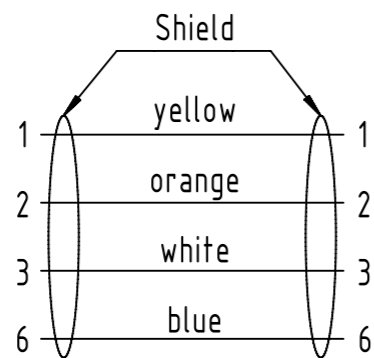
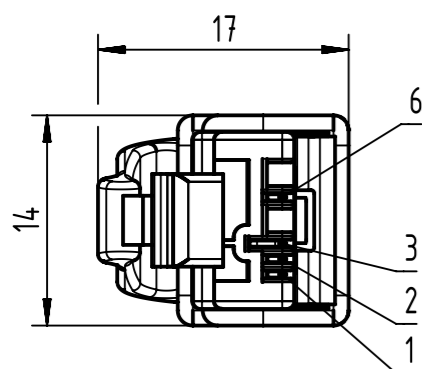
Connector Location B



X male

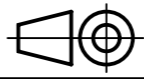

Y male

Loading Plan




- Protection level: IP20
- Temperature range: -40°C ... +70°C

		All Dimensions in mm		Tech. Character.		Free size tol.		According to production drawing	
All rights reserved Department HCS - RO		Created by STOCHECIC Stochei		Inspected by COSTEA Costea		Standardisation MUNTEANV Muntean		Date 2019-08-08	
HARTING Customised Solutions D-32339 Espelkamp		Title RJ Industrial Cable Assembly				State Final Release		Doc-Key / ECM-Nr. 100155365/UGD/004/H 500000156311	
		Type TB		Number 09470502XXX		Rev. H		Page 1/3	

1	2	3	4	5	6	7	8				
RJ45 Ethernet Stranded Cable, 4xAWG 22/7, PVC, Cat. 5+, green											
45	09470502044		100								
44	09470502043		90								
43	09470502042		80								
42	09470502041		70								
41	09470502040		60								
40	09470502039		50								
39	09470502038		40								
38	09470502037		30								
37	09470502036		20								
36	09470502035		15								
35	09470502034		10								
34	09470502033		9								
33	09470502032		8								
32	09470502031		7								
31	09470502030		6								
30	09470502029		5								
29	09470502028		4								
28	09470502027		3								
27	09470502026		2								
26	09470502025		1.5								
25	09470502024		1								
24	09470502091		0.8								
23	09470502023		0.5								
22	09470502022		100								
21	09470502021		90								
20	09470502020		80								
19	09470502019		70								
18	09470502018		60								
17	09470502017		50								
16	09470502016		40								
15	09470502015		30								
14	09470502014		20								
13	09470502013		15								
12	09470502012		10								
11	09470502011		9								
10	09470502010		8								
9	09470502009		7								
8	09470502008		6								
7	09470502007		5								
6	09470502006		4								
5	09470502005		3								
4	09470502004		2								
3	09470502003		1.5								
2	09470502002		1								
1	09470502001		0.5								
Cont. no.	Part no.	Type of cable	Dim a[m]								
RJ45 Ethernet Trailing Cable, 4xAWG 22/7, PUR, Cat. 5+, green											
77	09470502066		100								
76	09470502065		90								
75	09470502064		80								
74	09470502063		70								
73	09470502062		60								
72	09470502061		50								
71	09470502060		40								
70	09470502059		30								
69	09470502058		20								
68	09470502057		15								
67	09470502089		13								
66	09470502090		12								
65	09470502056		10								
64	09470502055		9								
63	09470502054		8								
62	09470502053		7								
61	09470502099		6.2								
60	09470502052		6								
59	09470502051		5								
58	09470502050		4								
57	09470502049		3								
56	09470502095		2.4								
55	09470502094		2.2								
54	09470502048		2								
53	09470502093		1.8								
52	09470502092		1.6								
51	09470502047		1.5								
50	09470502098		1.45								
49	09470502096		1.4								
48	09470502097		1.25								
47	09470502046		1								
46	09470502045		0.5								
Cont. no.	Part no.	Type of cable	Dim. a[m]								
				 All Dimensions in mm		Tech. Character.		Free size tol.		According to production drawing	
				 All rights reserved Department HCS - RO		Created by STOCEVIC Stoceci		Inspected by COSTEA Costea		Standardisation MUNTEANV Muntean	
				Title RJ Industrial Cable Assembly		Date 2019-08-08		State Final Release		Doc-Key / ECM-Nr. 100155365/UGD/004/H 500000156311	
				HARTING Customised Solutions D-32339 Espelkamp		Type TB		Number 09470502XXX		Rev. H	
										Page 2/3	

1	2	3	4	5	6	7	8	
A								A
B								B
C								C
D	99	09470502088	RJ45 Ethernet Stranded Cable, 4xAWG 22/7, PVC outdoor, Cat. 5+, black	100				D
	98	09470502087		90				
	97	09470502086		80				
	96	09470502085		70				
	95	09470502084		60				
	94	09470502083		50				
	93	09470502082		40				
	92	09470502081		30				
	91	09470502080		20				
	90	09470502079		15				
	89	09470502078		10				
	88	09470502077		9				
	87	09470502076		8				
E	86	09470502075		7				E
	85	09470502074		6				
	84	09470502073		5				
	83	09470502072		4				
	82	09470502071		3				
	81	09470502070		2				
	80	09470502069		1.5				
	79	09470502068	1					
F	78	09470502067	0.5				F	
	Cont. no.	Part no.	Type of cable	Dim a[m]				
1	2	3	4	5	6	7	8	

	All rights reserved	Created by STOCHECIC Stochei	Inspected by COSTEA Costea	Standardisation MUNTEANV Muntean	Date 2019-08-08	State Final Release	
	Department HCS - RO	Title RJ Industrial Cable Assembly				Doc-Key / ECM-Nr. 100155365/UGD/004/H 500000156311	
HARTING Customised Solutions D-32339 Espelkamp		Type TB	Number 09470502XXX			Rev. H	Page 3/3