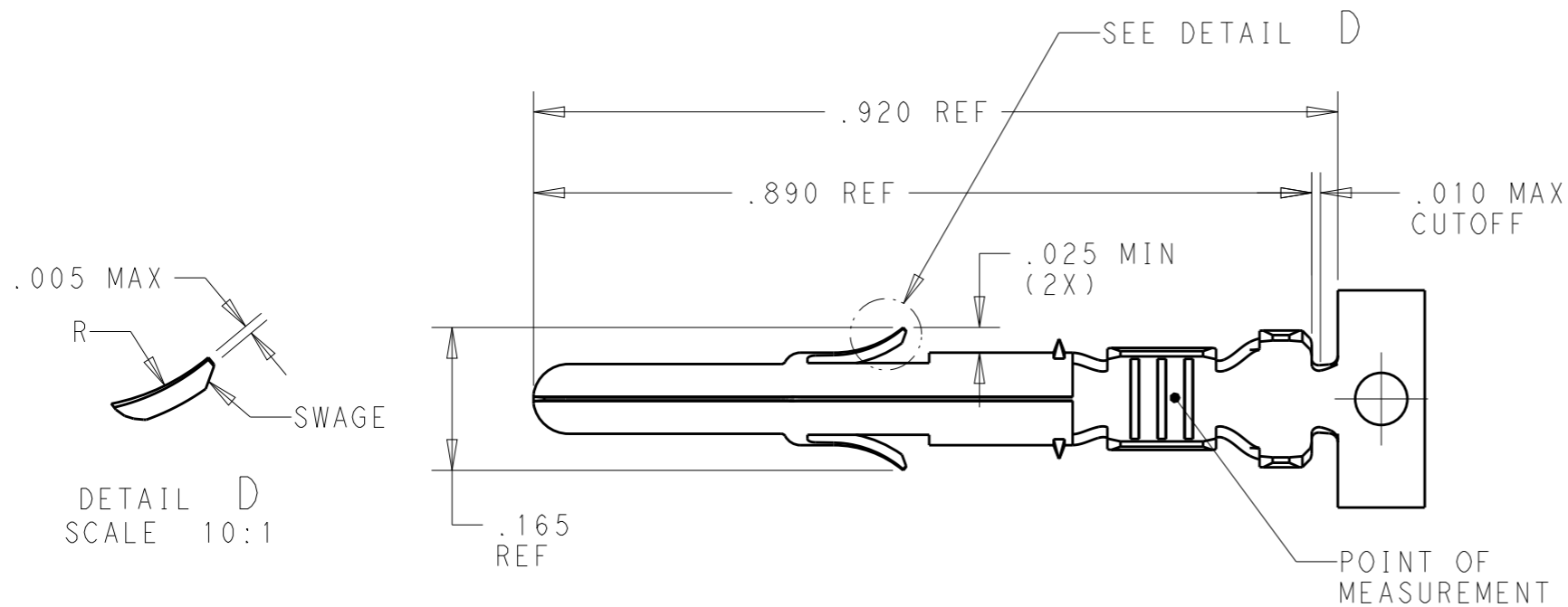


THIS DRAWING IS UNPUBLISHED. RELEASED FOR PUBLICATION 2018
© COPYRIGHT 2018 BY - ALL RIGHTS RESERVED.

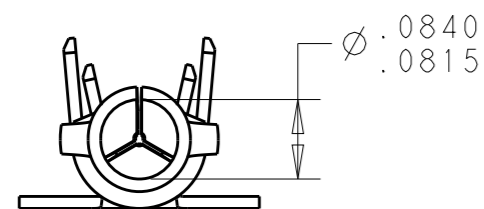
REVISIONS

P	LTR	DESCRIPTION	DATE	DWN	APVD
	R	REVISED PER ECO-19-006989	15MAY2019	BKW	CY
	R1	REVISED PER ECO-19-009144	17JUN2019	BKW	SF
	R2	REVISED PER ECO-19-011413	24JUL2019	BKW	SF



- 1 .000030 MIN GOLD AT POINT OF MEASUREMENT IN GOLD PLATE AREA; .000030 MIN TIN IN TIN PLATE AREA; .000050 NICKEL UNDERPLATE ON ENTIRE CONTACT
- 2 INSULATION RANGE: .060-.130 DIAMETER

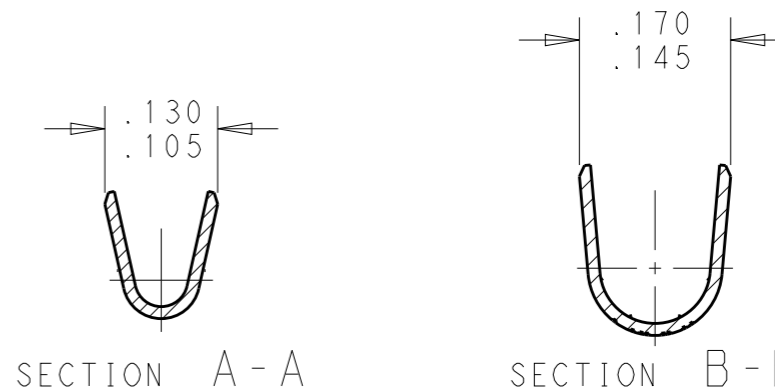
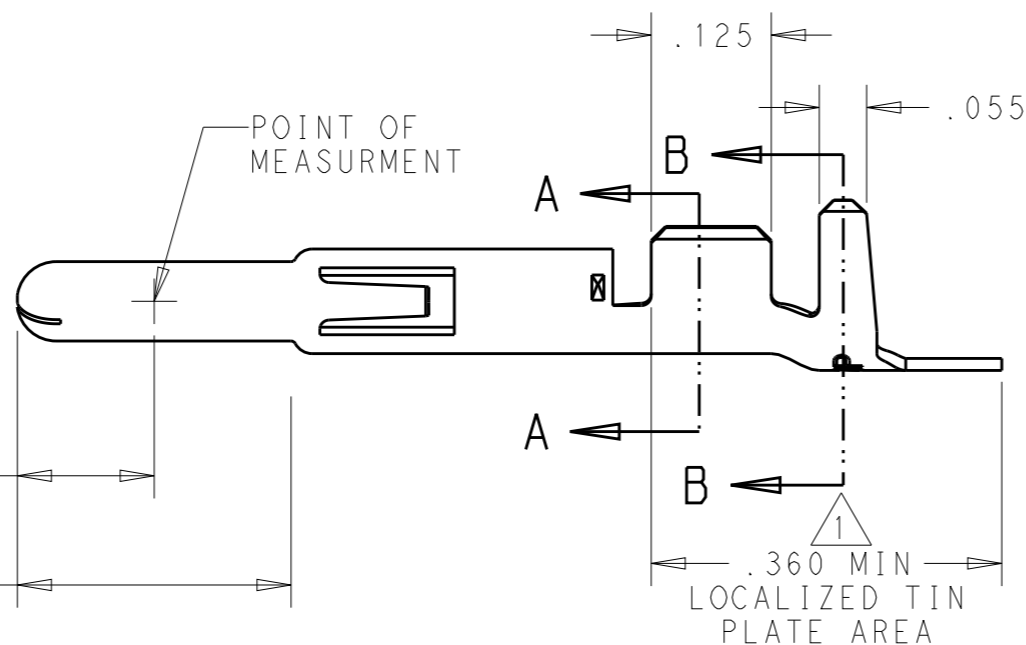
DETAIL D SCALE 10:1



.1425 ± .0001

1

.285 MIN LOCALIZED GOLD PLATE AREA



-	1	.012 BRASS	350654-7
350669-1	PER-TIN	.012 BRASS	350654-1
LOOSE PIECE (REF)	FINISH	MATERIAL	PART NUMBER

THIS DRAWING IS A CONTROLLED DOCUMENT.

DIMENSIONS:	TOLERANCES UNLESS OTHERWISE SPECIFIED:
IN	
0 PLC	±-
1 PLC	±-
2 PLC	±-
3 PLC	±.015
4 PLC	±-
ANGLES	±-
MATERIAL	FINISH
-	-
-	-

INSULATION RANGE: 2

WIRE RANGE: 20-14 AWG

DWN	B. WEAVER	17SEP2018
CHK	S. FERNANDES	17SEP2018
APVD	S. FERNANDES	17SEP2018
PRODUCT SPEC	108-1031	
APPLICATION SPEC	114-1010	
WEIGHT	-	
CUSTOMER DRAWING		

STE TE Connectivity			
NAME PIN, GROUNDING, UNIVERSAL MATE-N-LOK			
SIZE	CAGE CODE	DRAWING NO	RESTRICTED TO
A3	00779	C-350654	-
SCALE		SHEET	REV
5:1		1 OF 1	R2