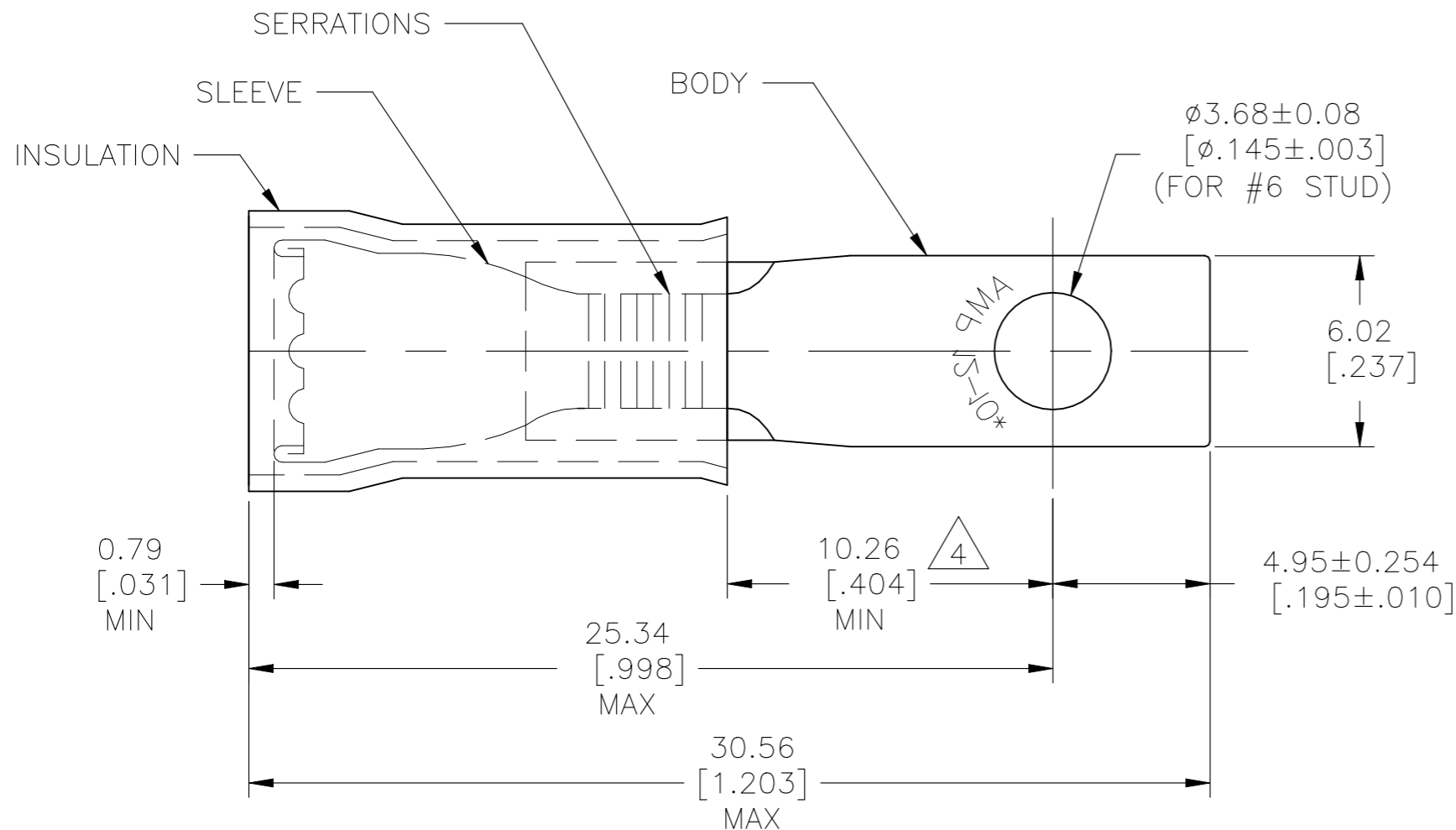


REVISIONS

P	LTR	DESCRIPTION	DATE	DWN	APVD
	K5	REVISED PER ECN-22-156403	03JUN2022	RK	CSD



- 1 TONGUE MATERIAL THK: 1.02 ± 0.05 [.040 ± .002]
- 2 FOR 3.81 [.150] TO 5.84 [.230] WIRE INSULATION DIA
- 3 SUPERSEDED BY 2-327960-1
- 4 APPLIES FROM THE METAL EDGE OF THE BARREL TO THE CENTER OF THE STUD
- 5 MEETS MS17143-15, CLASS 1
- 6 NOTE DELETED

QTY	DESCRIPTION	MATERIAL & FINISH	PART NO
1	ON TAPE	BODY & SLEEVE: COPPER (ASTM-B152) TIN PL (ASTM-B545)	2-327960-2
OBSOLETE 1	2-327960-1 ON TAPE	INSULATION: NYLON (ASTM-D4066) TYPE 1 COLOR: YELLOW	2-327960-3
1	WIRE TERMINAL		5 2-327960-1
1	WIRE TERMINAL	BODY: COPPER (ASTM-B152) TIN PL (ASTM-B545) SLEEVE: COPPER (ASTM-B152) INSULATION: PVC COLOR: YELLOW	3 327960

THIS DRAWING IS A CONTROLLED DOCUMENT.		DWN RAGHAVENDRA 01SEP09	STE TE Connectivity	
DIMENSIONS: mm [INCHES]		CHK JEFF RUTH 01SEP09		
TOLERANCES UNLESS OTHERWISE SPECIFIED:		APVD TOM MICHIELUTTI 01SEP09	NAME	
0 PLC ± -		PRODUCT SPEC		
1 PLC ± -		APPLICATION SPEC		
2 PLC ± -		SIZE CAGE CODE DRAWING NO RESTRICTED TO		
3 PLC ± 0.20 [.008]		A3 00779 C-327960		
4 PLC ± -		SCALE 5:1 SHEET 1 OF 1 REV K5		
ANGLES ± 5°		CUSTOMER DRAWING		
MATERIAL SEE TABLE	FINISH SEE TABLE			