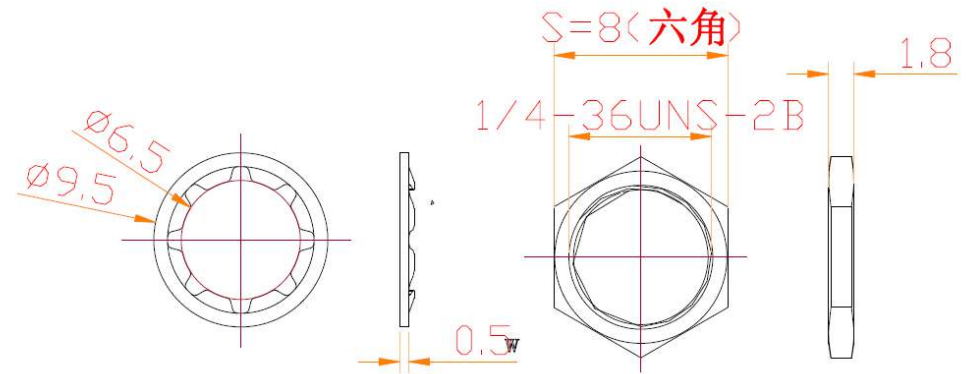


花垫



Not to Scale
All Dimensions in mm



Technical Specifications			Material&Plating		
①	Impedance	50 Ω	Item	MATERIAL	PLATING
②	Frequency	0-6000MHz	⑧	Body	Brass Gold
③	VSWR	1.8 MAX	⑨	Insulator	PTFE
④	Temp. range	-55~+155° C	⑩	PIN	Brass Gold
⑤	Working Voltage	335 V Max	⑪	Cable(SY)	RG58
⑥	Withstand Voltage	1000V rms	⑫		
⑦	Durability	≥500 cycles	⑬		

DESCRIPTION					
Cable Assy SMA(F) bulkhead straight to SMA(M) straight 3m					
FILENAME		DRAWN BY	DATE	REVISED	PAGE
CBA-SMAM-SMAF30-1.VSDX		SKA		09/08/2022	1 of 1
REVISIONS					
ZONE	REV	DESCRIPTION		DATE	APPROVED
N/A	1	First Issue		12/11/18	
	2				
	3				
	4				
	5				
	6				