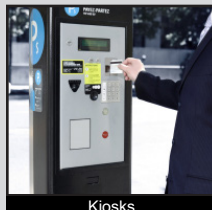
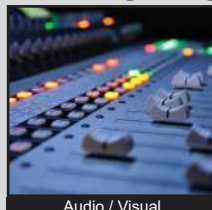


SAV7 SERIES ANTI-VANDAL SWITCH

ANTI-VANDAL SWITCHES
DETECTOR SWITCHES
DIP SWITCHES
KEYLOCK SWITCHES
NAVIGATION SWITCHES
PUSHBUTTON SWITCHES
ROCKER SWITCHES
ROTARY SWITCHES
SLIDE SWITCHES
SNAP ACTION SWITCHES
TACTILE SWITCHES
TOGGLE SWITCHES
CAP OPTIONS



APPLICATIONS / MARKETS



RoHS

SPECIFICATIONS

Electrical Rating: 15A, 125/250VAC
Electrical Life: 10,000 Cycles
Contact Resistance: 100mΩ max,
Insulation Resistance: 100MΩ @ 500VDC
Dielectric Strength: 1,500VAC for 60 seconds
Operating/Storage Temperature: -25°C to 85°C
Travel: 3.2mm
Moisture Protection: IP67 (at front panel)
Actuation Force: 3.5N
Panel Thickness: 1-10mm
Hex Nut Torque: 1-3Nm

FEATURES & BENEFITS

- 22mm diameter panel cutout
- Ring or ring/power illumination options
- Multiple illumination voltage options
- Momentary and latching functions
- 15A high current rating

PART NUMBER CONFIGURATOR

Series	Actuator	Terminal	Function	Body Finish	Actuator Finish	Lens Style	LED Color	Illumination Voltage
SAV7	F - Flat	1 - 4.8mm Quick Connect	3 - 1P ON-ON B - 1P ON-(ON)*	S - Stainless Steel 1 - Black Anodized	S - Stainless Steel 1 - Black Anodized	None - Non-Illuminated 3 - Ring, moveable with actuator 6 - Ring / Power Symbol moveable with actuator	None - Non-Illuminated 0 - White 1 - Red 2 - Orange 3 - Green 4 - Blue 5 - Yellow G - Red / Green P - Green / Yellow	None - Non-Illuminated 1 - 3V 3 - 6V 4 - 12V 5 - 24V 6 - 110V 7 - 220V

NOTES:

*() denotes function is momentary
 Call us for custom graphic options 800-867-2717

Specifications subject to change without notice 8.14.2019



E-SWITCH®

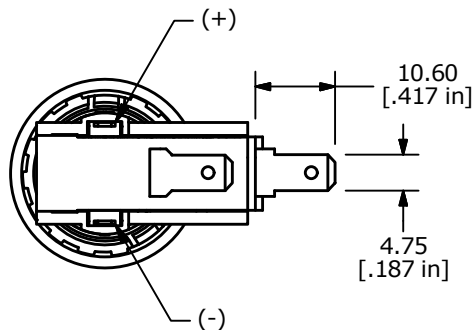
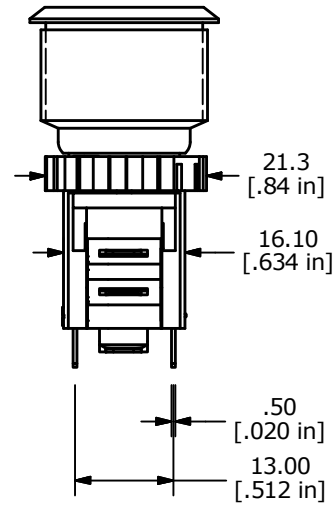
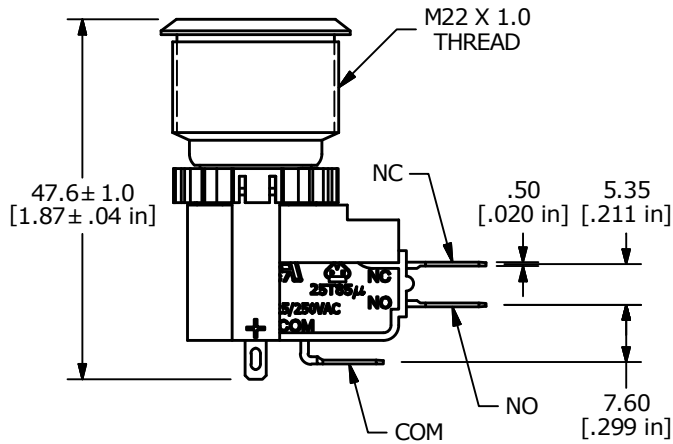
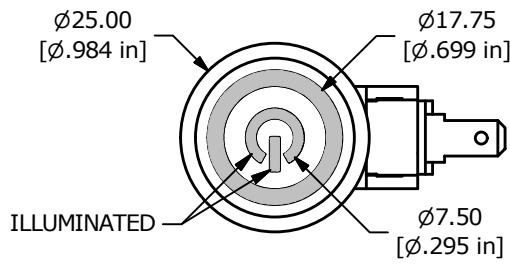
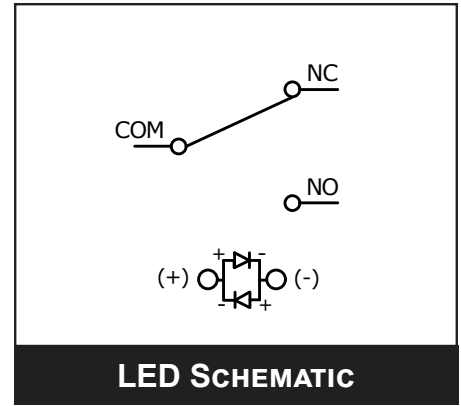
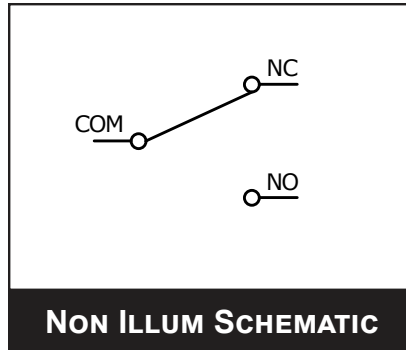
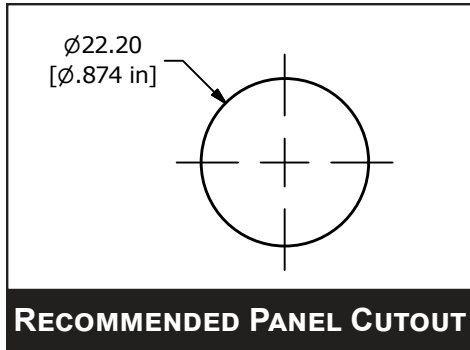
www.e-switch.com

800.867.2717

1

SAV7 SERIES ANTI-VANDAL SWITCH

BODY DIMENSIONS



ILLUMINATED RING / POWER SYMBOL OPTION SHOWN

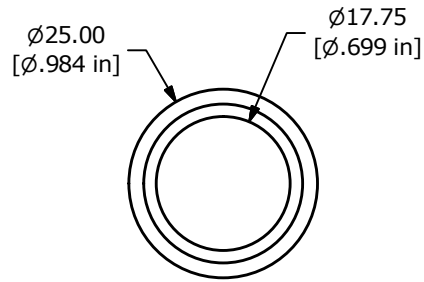
LED (+) AND (-) TERMINALS ARE NOT INCLUDED ON THE NON-ILLUMINATED OPTION



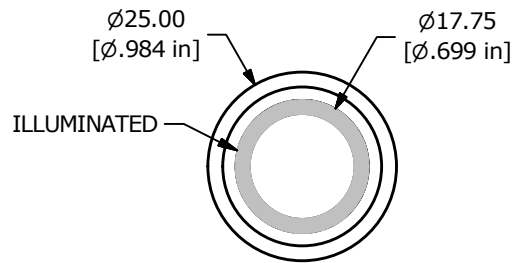
SAV7 SERIES ANTI-VANDAL SWITCH

LENS STYLE OPTIONS

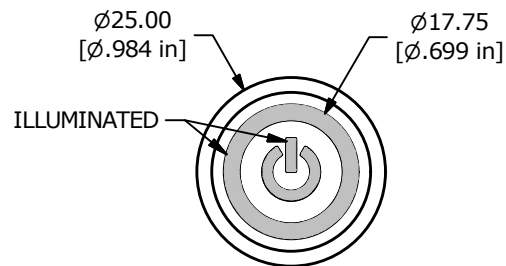
- ANTI-VANDAL SWITCHES
- DETECTOR SWITCHES
- DIP SWITCHES
- KEYLOCK SWITCHES
- NAVIGATION SWITCHES
- PUSHBUTTON SWITCHES
- ROCKER SWITCHES
- ROTARY SWITCHES
- SLIDE SWITCHES
- SNAP ACTION SWITCHES
- TACTILE SWITCHES
- TOGGLE SWITCHES
- CAP OPTIONS



NON-ILLUMINATED



RING ILLUMINATED



RING / POWER SYMBOL
ILLUMINATED

