

THIS DRAWING IS UNPUBLISHED.

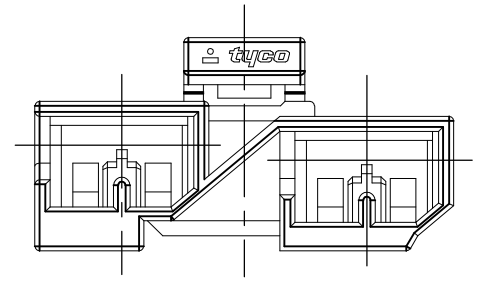
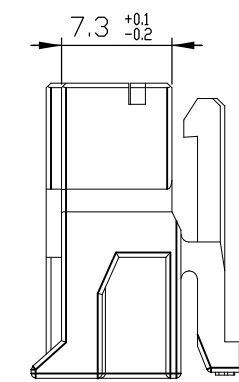
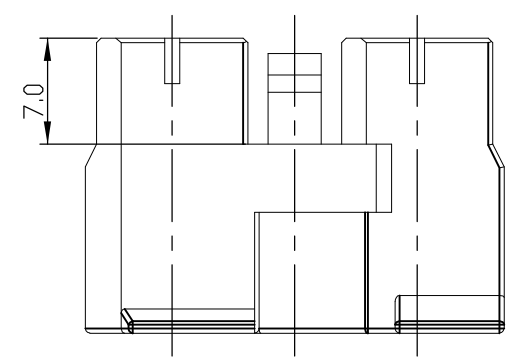
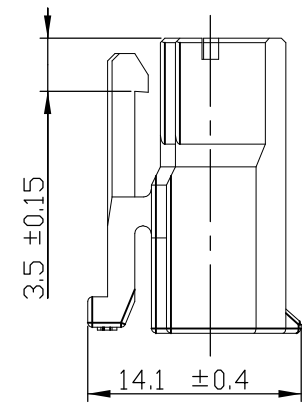
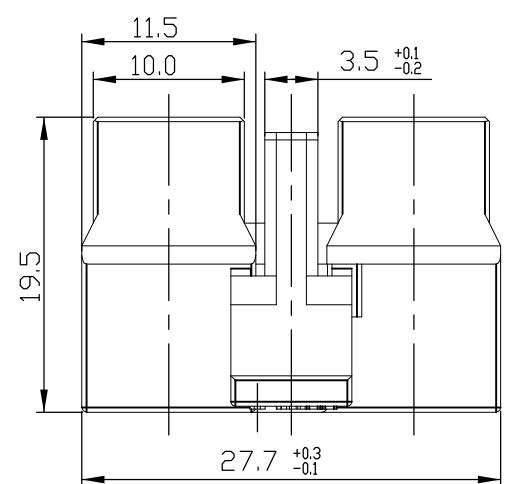
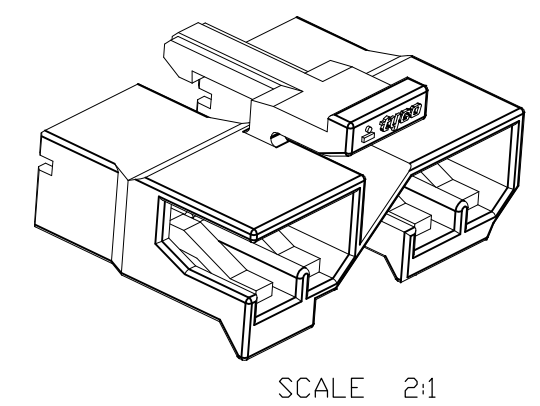
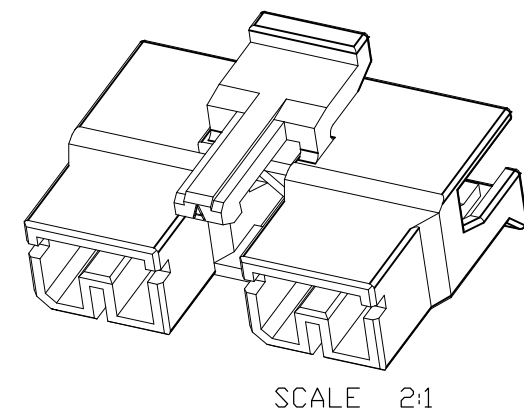
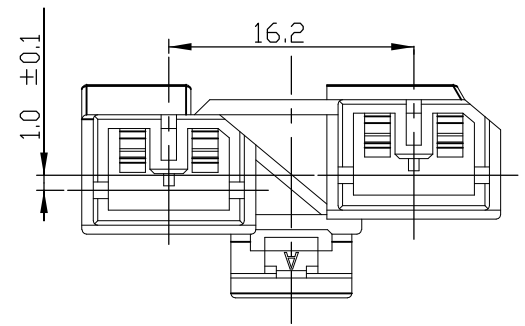
RELEASED FOR PUBLICATION

REVISIONS

© COPYRIGHT - By -

ALL RIGHTS RESERVED.

| P | LTR | DESCRIPTION | DATE | DWN | APVD |
|---|-----|---------------------------|-----------|-----|------|
| | B2 | REVISED PER ECR-17-003108 | 06MAR2017 | SE | BH |



NOTES.

- 1.GENERAL TOLERANCE : ±0.2, ±2°.
- △MATERIAL : NYLON 6/6, UL94 -V0.
- 3.APPLICABLE CONTACT P/N : 1743221-1.
(CABLE SIZE : AWG #16, #18)
- △MATERIAL: PC-PET, UL94 V-0
PARTS COMPLY WITH GWT 750

| OBSOLETE | P/N | DESCRIPTION | MATERIAL | COLOR |
|----------|-------------|---------------------|----------|---------|
| | 1-1743643-1 | PCFL PLUG HSG (GWT) | △ | NATURAL |
| | 1743643-9 | PCFL PLUG HSG | △ | BLACK |
| | 1743643-6 | PCFL PLUG HSG | △ | BLUE |
| | 1743643-1 | PCFL PLUG HSG | △ | NATURAL |
| | P/N | DESCRIPTION | MATERIAL | COLOR |

| | | | | | |
|--|--|---------------------------|--|------------|---------------|
| THIS DRAWING IS A CONTROLLED DOCUMENT. | | DWN SC KIM | STE TE Connectivity | | |
| DIMENSIONS: mm | | CHK BW KANG | | | |
| TOLERANCES UNLESS OTHERWISE SPECIFIED: | | APVD JK SONG | NAME 250 2P PLUG HSG FOR LOW-HEIGHT PCFL | | |
| 0 PLC ± - | | PRODUCT SPEC 108-61077 | SIZE | | |
| 1 PLC ± - | | APPLICATION SPEC | CAGE CODE | DRAWING NO | RESTRICTED TO |
| 2 PLC ± - | | — | — | — | — |
| 3 PLC ± - | | WEIGHT | A300779 C- 1743643 | | |
| 4 PLC ± - | | — | SCALE 2:1 SHEET 1 OF 1 REV B2 | | |
| ANGLES ± - | | CUSTOMER DRAWING | | | |
| FINISH | | — | | | |
| MATERIAL SEE NOTES | | — | | | |