

# SACC-M 8FS-3QO-0,5-VA - Connector



1426314

<https://www.phoenixcontact.com/us/products/1426314>

Please be informed that the data shown in this PDF document is generated from our online catalog. Please find the complete data in the user documentation. Our general terms of use for downloads are valid.



Connector, 3-position, Socket straight M8, A, Insulation displacement connection, knurl material: Stainless steel 1.4305, external cable diameter 2.5 mm ... 5 mm

## Your advantages

- Safe use in the field, thanks to a high degree of protection
- Insulation displacement connection: innovative and time-saving assembly without stripping the single wire

## Commercial data

Item number	1426314
Packing unit	1 pc
Minimum order quantity	1 pc
Sales key	BF31
Product key	BF2BCA
GTIN	4055626457642
Weight per piece (including packing)	6.7 g
Weight per piece (excluding packing)	6 g
Customs tariff number	85366990
Country of origin	DE

# SACC-M 8FS-3QO-0,5-VA - Connector



1426314

<https://www.phoenixcontact.com/us/products/1426314>

## Technical data

### Notes

General	<b>NOTE:</b> Observe the permissible bending radii when laying conductors, since the degree of protection may be put in jeopardy if the bending forces are too high. Alleviate mechanical loads upstream of the connector, e.g. by using cable ties.
---------	--

### Mounting

Connection method	Insulation displacement connection
-------------------	------------------------------------

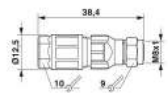
### Product properties

Product type	Circular connector (cable-side)
Number of positions	3
No. of cable outlets	1
Shielded	no
Coding	A
Cable outlet	straight

### Insulation characteristics

Overvoltage category	II
Degree of pollution	3

### Dimensions

Dimensional drawing	
Length	38.8 mm

### External dimensions

Outside diameter	2.5 mm ... 5 mm ±0.2 mm
------------------	-------------------------

### Housing

Diameter housing	12.5 mm
------------------	---------

### Material specifications

Flammability rating according to UL 94	HB
Seal material	NBR
Material of grip body	PA 6
Contact material	CuSn
Contact surface material	Ni/Au
Contact carrier material	TPU GF
Material for screw connection	Stainless steel 1.4305
Wire insulation material	PVC / PE / PP / rubber

# SACC-M 8FS-3QO-0,5-VA - Connector



1426314

<https://www.phoenixcontact.com/us/products/1426314>

## Connection data

### Conductor connection

Connection method	Insulation displacement connection
Connection cross section	0.25 mm <sup>2</sup> ... 0.5 mm <sup>2</sup>
Connection cross section AWG	24 ... 20
Tightening torque	0.6 Nm (Pressure nut) 0.2 Nm (M8 knurl)

## Electrical properties

Rated surge voltage	0.8 kV
Contact resistance	≤ 5 mΩ
Insulation resistance	≥ 100 MΩ
Nominal voltage U <sub>N</sub>	60 V AC 60 V DC
Nominal current I <sub>N</sub>	4 A

## Mechanical properties

### Mechanical data

Insertion/withdrawal cycles	≥ 100
-----------------------------	-------

## Connector

### Connection 1

Head design	Socket
Head cable outlet	straight
Head thread type	M8
Coding	A

## Cable/line

External cable diameter ( )	2.5 mm ... 5 mm
-----------------------------	-----------------

## Environmental and real-life conditions

### Ambient conditions

Degree of protection	IP65 IP67 IP69K
Ambient temperature (operation)	-25 °C ... 80 °C (Plug / socket)

## Standards and regulations

### M8

Standard designation	M8 connector
Standards/specifications	IEC 61076-2-104

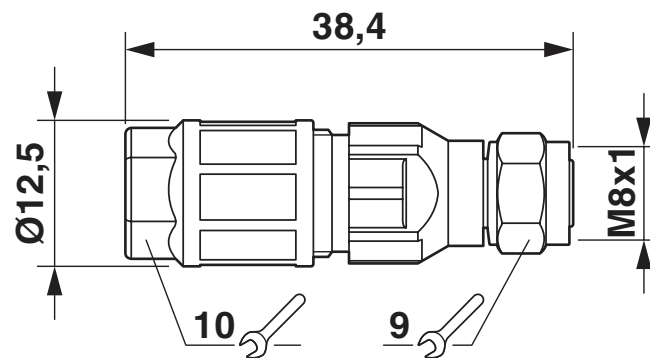
# SACC-M 8FS-3QO-0,5-VA - Connector

1426314

<https://www.phoenixcontact.com/us/products/1426314>

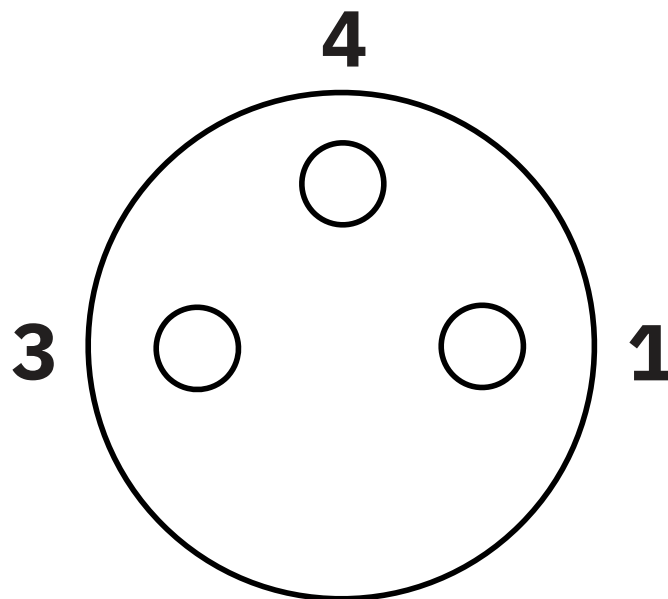
## Drawings

Dimensional drawing



Socket M8 x 1, straight

Schematic diagram



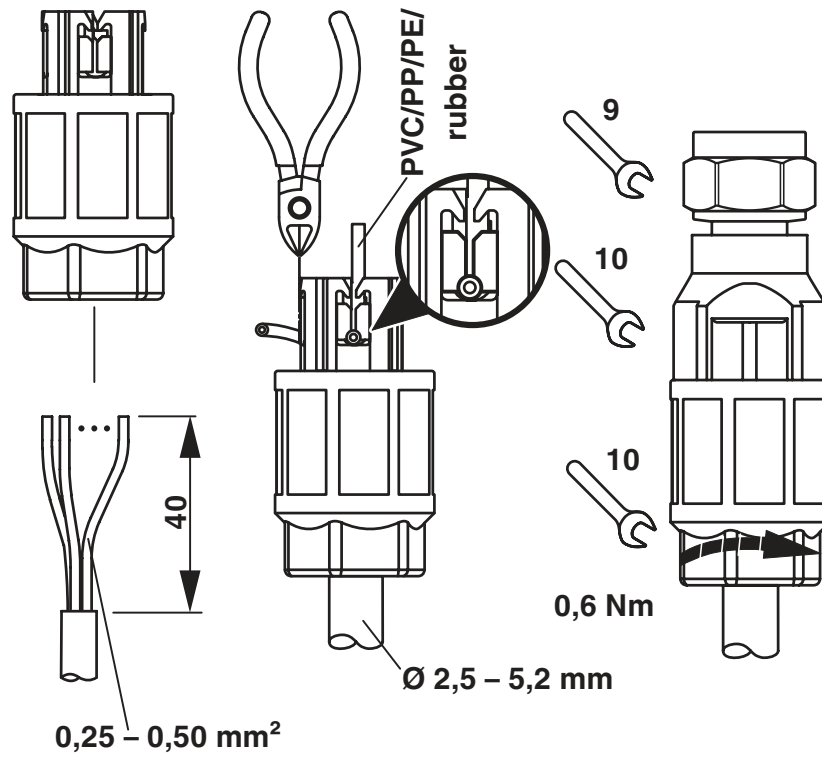
Pin assignment of M8 socket, 3-pos., view of pin side

# SACC-M 8FS-3QO-0,5-VA - Connector

1426314

<https://www.phoenixcontact.com/us/products/1426314>

Functional drawing



# SACC-M 8FS-3QO-0,5-VA - Connector



1426314

<https://www.phoenixcontact.com/us/products/1426314>

## Approvals

To download certificates, visit the product detail page: <https://www.phoenixcontact.com/us/products/1426314>



**EAC**

Approval ID: RU C-DE.BL08.B.00511

# SACC-M 8FS-3QO-0,5-VA - Connector



1426314

<https://www.phoenixcontact.com/us/products/1426314>

## Classifications

### ECLASS

ECLASS-11.0	27440102
ECLASS-12.0	27440116
ECLASS-13.0	27440116

### ETIM

ETIM 8.0	EC002635
----------	----------

### UNSPSC

UNSPSC 21.0	39121400
-------------	----------

# SACC-M 8FS-3QO-0,5-VA - Connector



1426314

<https://www.phoenixcontact.com/us/products/1426314>

## Environmental product compliance

China RoHS	Environmentally friendly use period: unlimited = EFUP-e
	No hazardous substances above threshold values



# SACC-M 8FS-3QO-0,5-VA - Connector



1426314

<https://www.phoenixcontact.com/us/products/1426314>

## Accessories

### PROT-M 8 MS-PA-CHAIN - Screw plug

1430860

<https://www.phoenixcontact.com/us/products/1430860>

M8 sealing cap made of plastic with fixing band for sensor cables, for M8 sockets



---

### MICROFOX-SB - Diagonal cutter

1212489

<https://www.phoenixcontact.com/us/products/1212489>

Electronic diagonal cutter, round head, without chamfer, with opening spring, mirror-polished and oiled, 2-component grip, cutting capacity: soft 0.2 - 2.0 mm; medium hard 1.2 mm; hard 0.5 mm diameter



# SACC-M 8FS-3QO-0,5-VA - Connector

1426314

<https://www.phoenixcontact.com/us/products/1426314>



## WIREFOX SAC - Stripping tool

1212623

<https://www.phoenixcontact.com/us/products/1212623>



Stripping pliers, for halogen-free sensor/actuator cables (SAC cables), with PUR and PVC insulation, from Ø of 4.4 to 7 mm, any stripping length

---

Phoenix Contact 2023 © - all rights reserved

<https://www.phoenixcontact.com>

Phoenix Contact USA  
586 Fulling Mill Road  
Middletown, PA 17057, United States  
(+717) 944-1300  
[info@phoenixcon.com](mailto:info@phoenixcon.com)