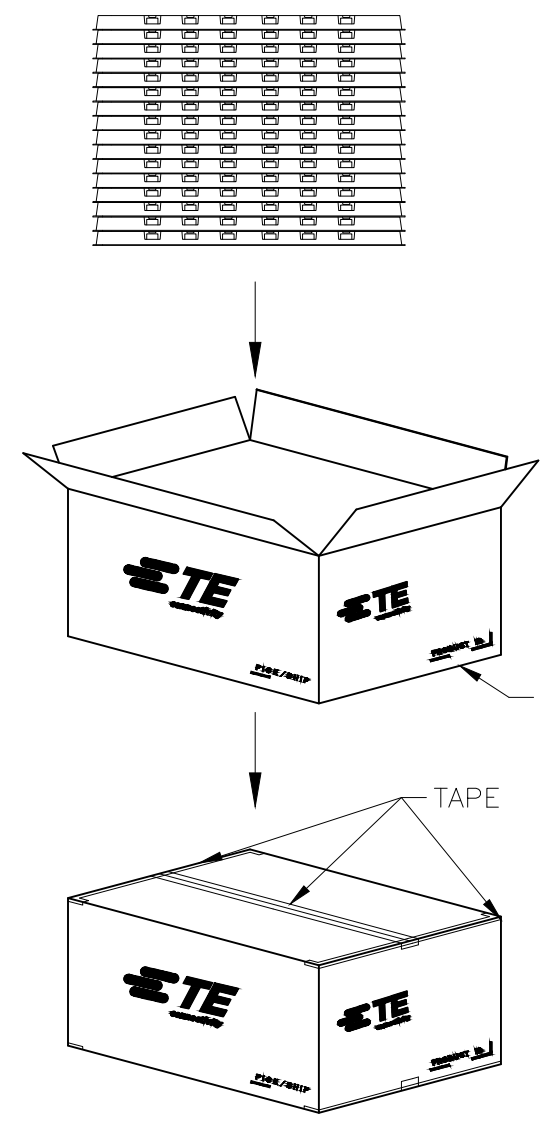
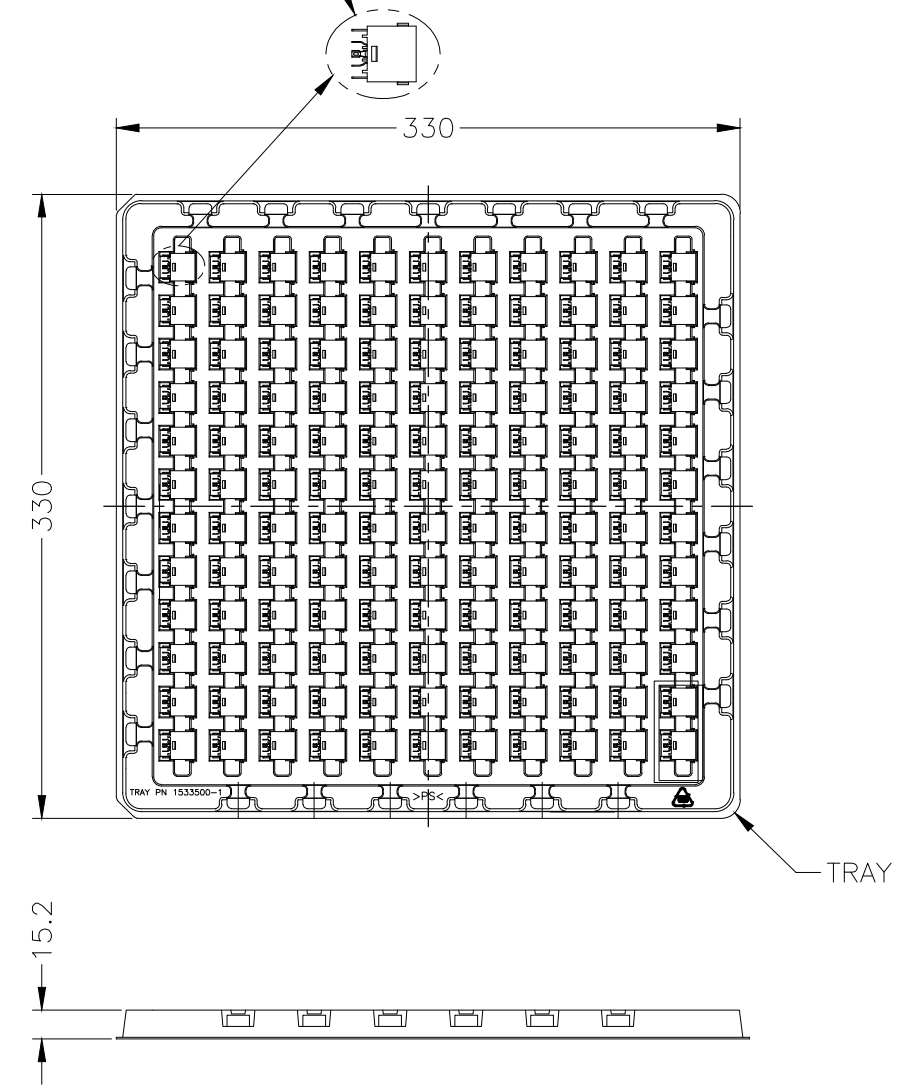




THIS DRAWING IS UNPUBLISHED.      RELEASED FOR PUBLICATION  
 © COPYRIGHT - By -      ALL RIGHTS RESERVED.

LOC	DIST	REVISIONS			
P	LTR	DESCRIPTION	DATE	DWN	APVD
		SEE SHEET 1	-	-	-

DC POWER JACK CONNECTOR  
 TE P/N: 1-2129333-1/-2



1. EU ROHS-RELATED RESTRICTED SUBSTANCE SPEC IN HOMOGENEOUS MATERIAL REFER TO TEC-138-702 REV.G:  
 LEAD < 1000PPM, CADMIUM < 100PPM, MERCURY < 1000PPM  
 CHROMIUM VI < 1000PPM, PBB <1000PPM, PBDE < 1000PPM
2. HALOGEN FREE SPEC:  
 CHLORINE (Cl): 900 ppm MAX.  
 BROMINE (Br): 900 ppm MAX.  
 CHLORINE (Cl) + BROMINE (Br): 1500 ppm MAX.
3. SHIPPING BOX DIMENSION: 445mmX445mmX270mm

132	25	3300
PCS/TRAY	TRAY/SHIPPING BOX	TOTAL Q'TY

THIS DRAWING IS A CONTROLLED DOCUMENT.		DWN	TE Connectivity DC POWER JACK CONNECTOR CABLE TYPE		
DIMENSIONS: mm		CHK			
TOLERANCES UNLESS OTHERWISE SPECIFIED:		APVD			
0 PLC ± - 1 PLC ± - 2 PLC ± - ±0.25 3 PLC ± - ±3° 4 PLC ± - ANGLES ± - MATERIAL FINISH ± -		PRODUCT SPEC			
MATERIAL		APVD	NAME	RESTRICTED TO	
		PRODUCT SPEC	SIZE	CAGE CODE	DRAWING NO
		APPLICATION SPEC	A3 00779 C-2129333		
		WEIGHT	CUSTOMER DRAWING		
			SCALE	SHEET	REV
			NA	2 OF 2	B6